

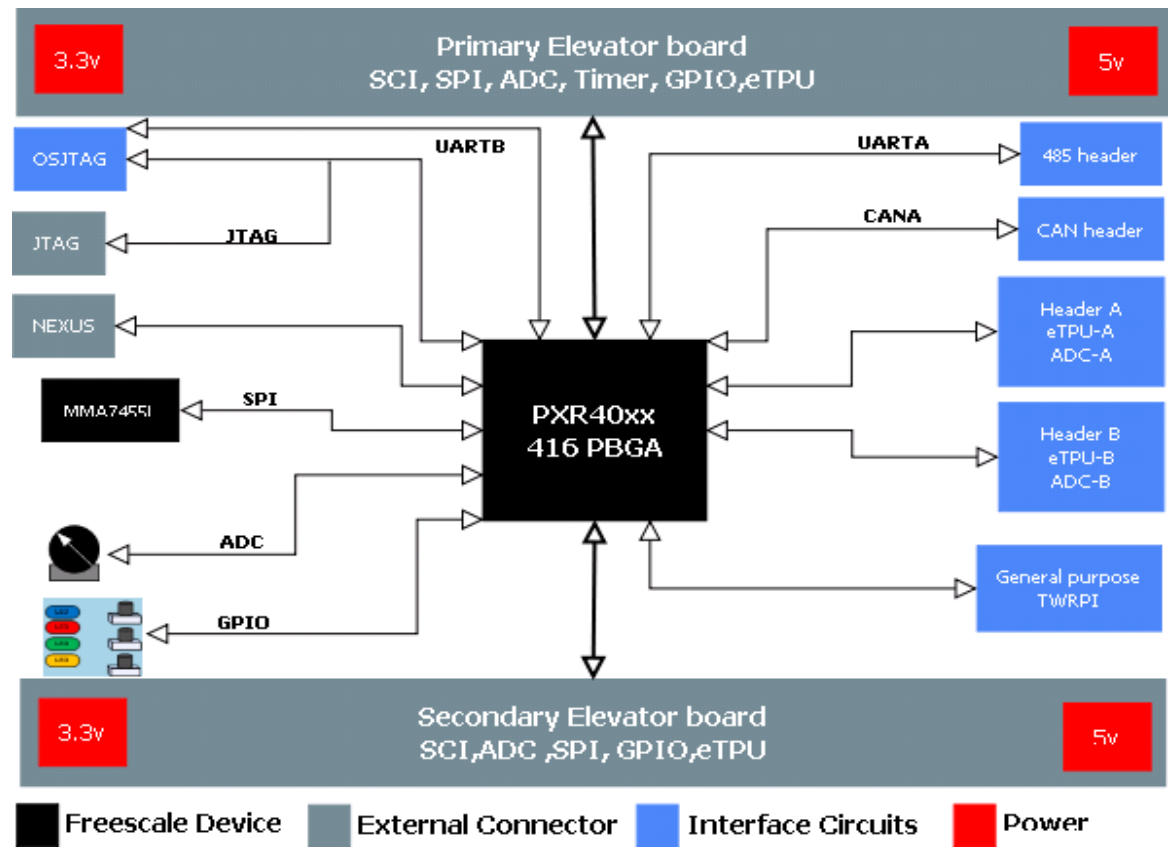
Contents	
5	ADC/TWRPI/GPIO/NEXUS
6	USB/OSJTAG
7	ELEVATORS
8	EXPANSION HEADERS

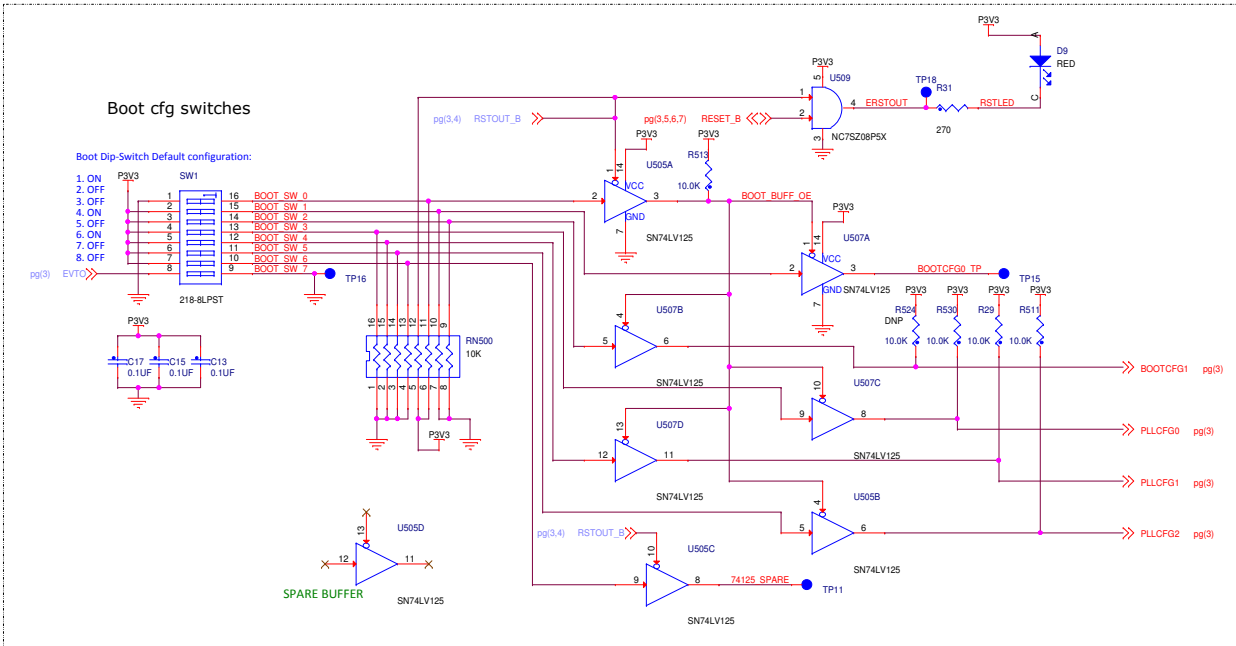
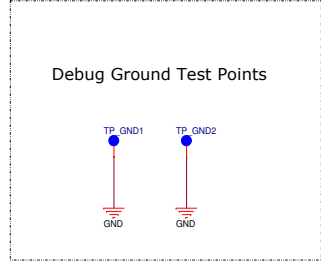
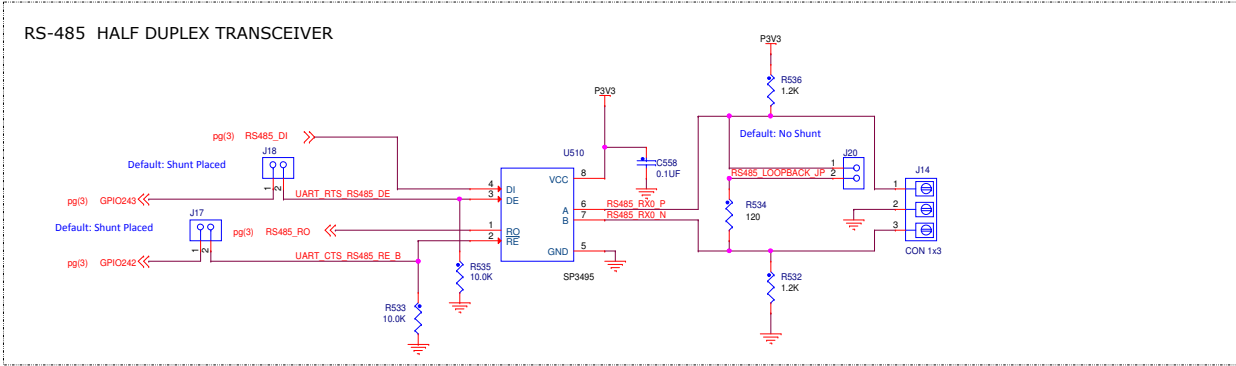
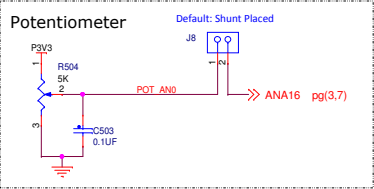
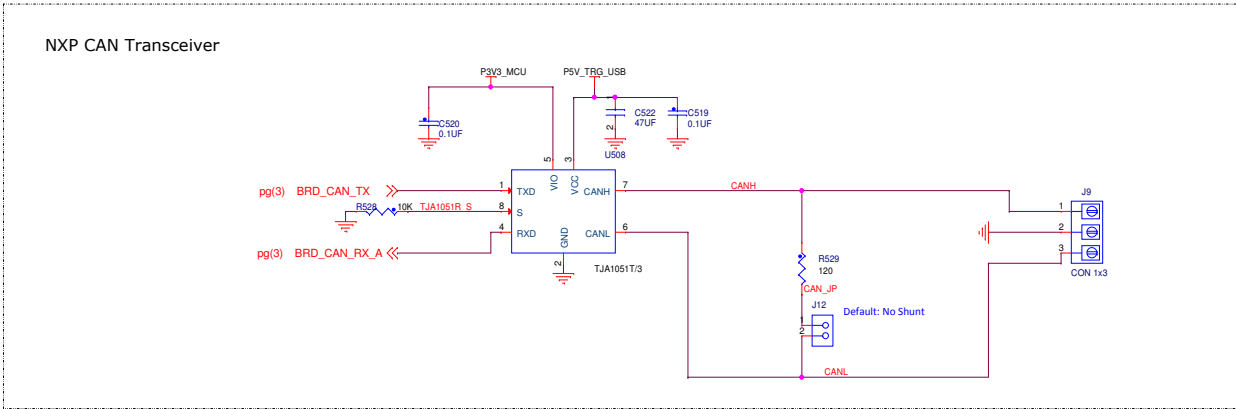
Revisions			
Rev	Description	Date	Approved
X1	Initial Draft	10/03/11	A. Pintor
X2	Implemented changes requested on design review checklist Several changes done on power section (UID and ballast) per BU review. Changed PCIE connectors for Expansion Headers A/B Changed Test Block symbols	10/07/11	A. Pintor
A	Initial Release	10/19/11	A. Pintor
B	Rev B Release	03/02/12	A. Pintor

		Microcontroller Solutions Group 6501 William Cannon Drive West Austin, TX 78752-6099	
<small>This document contains information proprietary to Freescale Semiconductor and shall not be used for engineering design, procurement or manufacture in whole or in part without the express written permission of Freescale Semiconductor.</small>			
Designer: Rafael del Rey		ICAP Classification: FOP: PUQ: X PUB:	
Drawn by: Rafael del Rey		TWR-PXR40	
TITLE PAGE			
Approved: Alberto Pintor	Size C	Document Number SCH-27308 PDF: SPF-27308	Rev B1
Date: Wednesday, March 14, 2012		Sheet 1 of 8	

All polarized capacitors are aluminum electrolytic

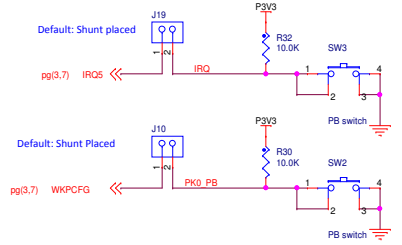
- Interrupted lines coded with the same letter or letter combinations are electrically connected.
- Device type number is for reference only. The number varies with the manufacturer.
- Special signal usage:
 _B Denotes - Active-Low Signal
 <> or [] Denotes - Vectored Signals
- Interpret diagram in accordance with American National Standards Institute specifications, current revision, with the exception of logic block symbology.



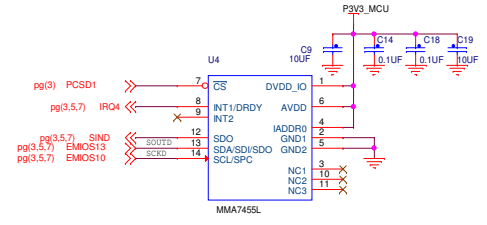




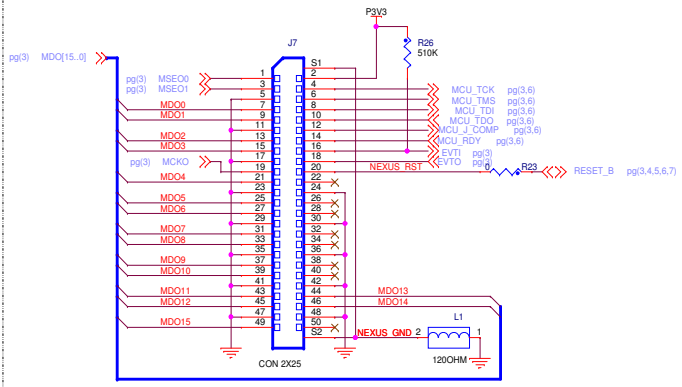
User Push Buttons



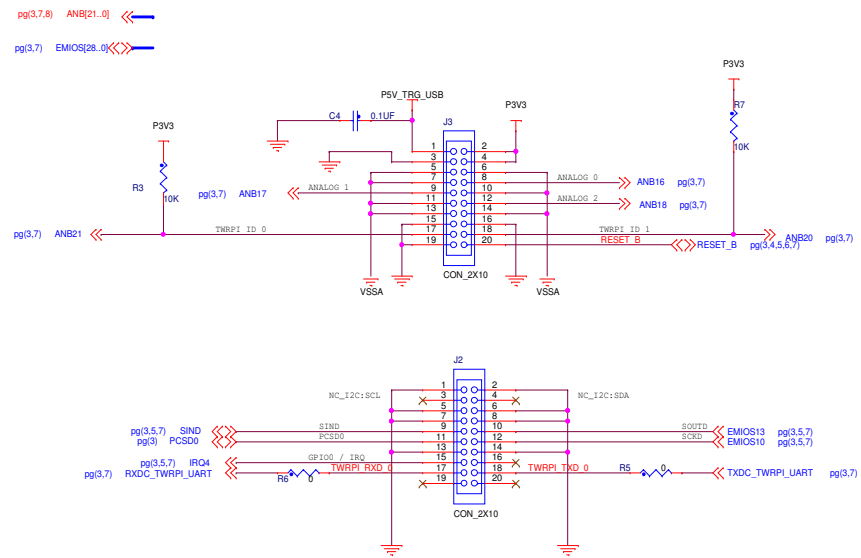
MMA7455L Accelerometer



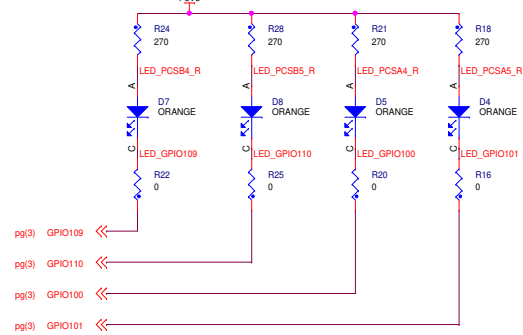
NEXUS (SAMTEC)



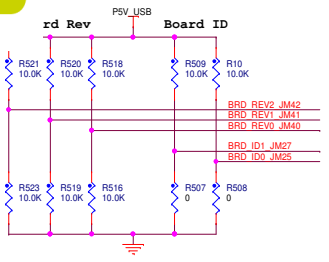
General Purpose TWRPI Socket



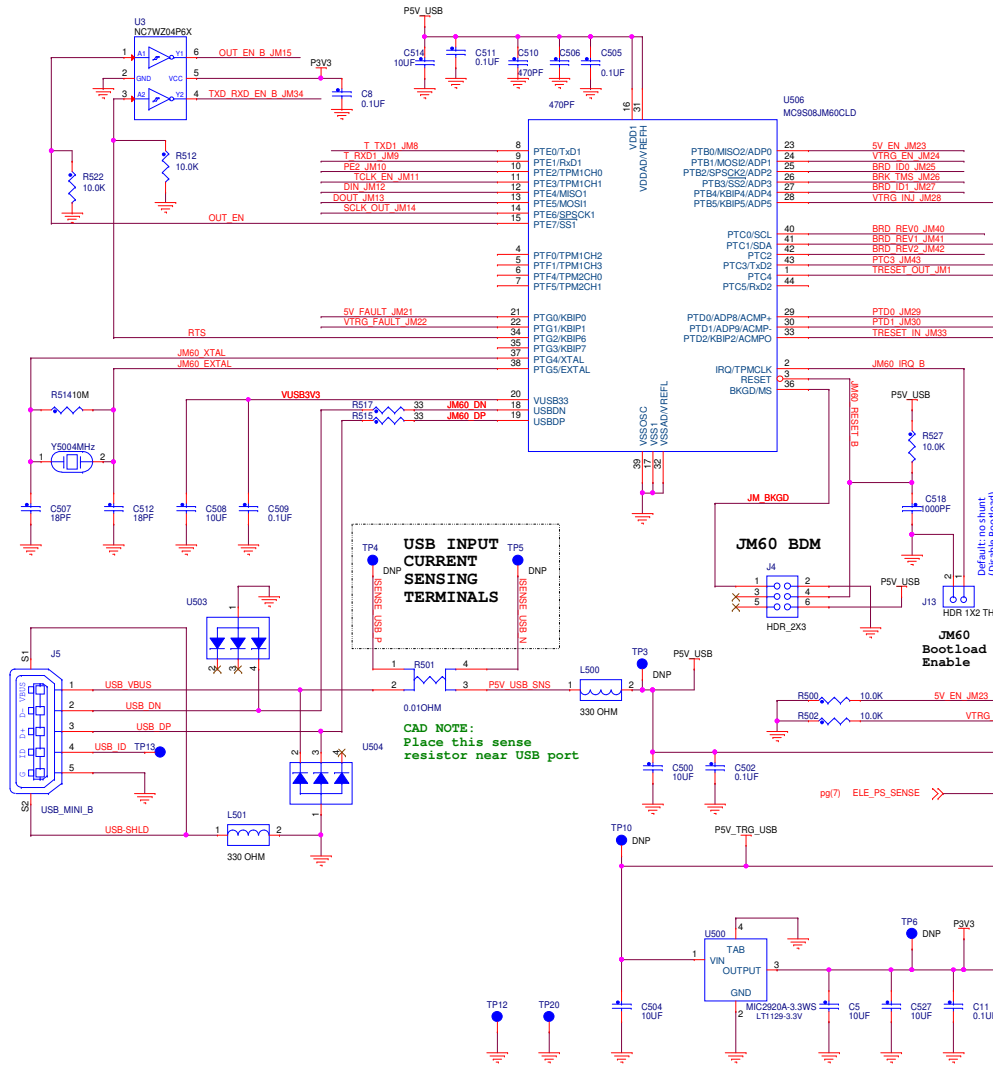
USER LED



ICAP Classification: FCP:		FIUC: X	PUBI:
Drawing Title: TWR-PXR40			
Page Title: ADC / TWRPI / GPIO / NEXUS			
Size C	Document Number	SCH-27308 PDF: SPF-27308	Rev B1
Date:	Wednesday, March 14, 2012	Sheet 5 of 8	



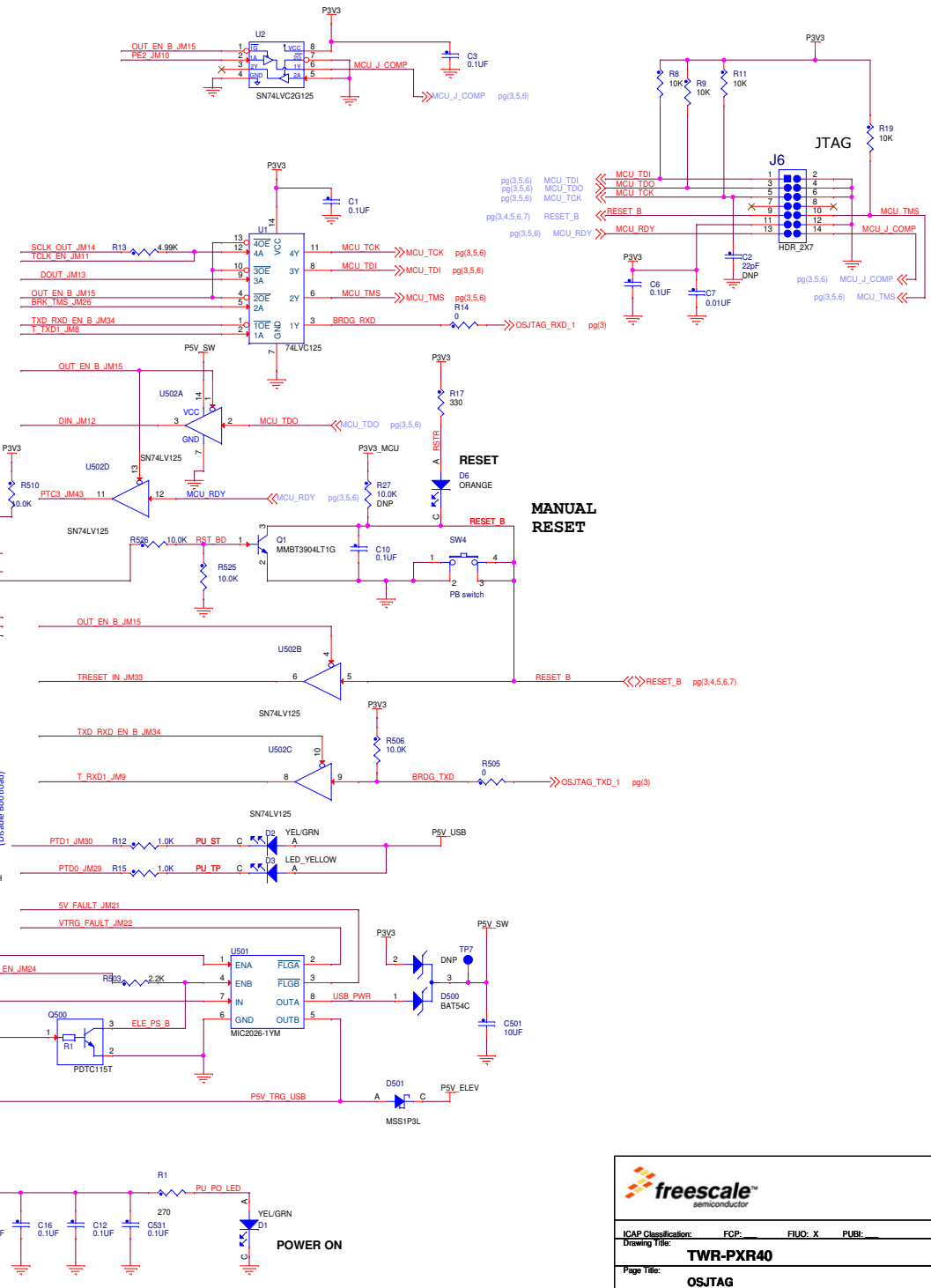
On Board OSBDM/Serial Bridge



USB INPUT CURRENT SENSING TERMINALS

TP4 DNP SENSE USB P
TP5 DNP SENSE USB N

CAD NOTE:
Place this sense resistor near USB port



MANUAL RESET

freescale semiconductor

ICAP Classification: FCP: FIUC: X PUB: _____
Drawing Title: **TWR-PXR40**

Page Title: **OSJTAG**

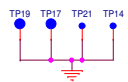
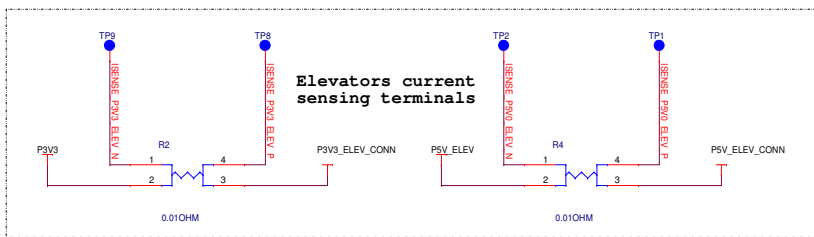
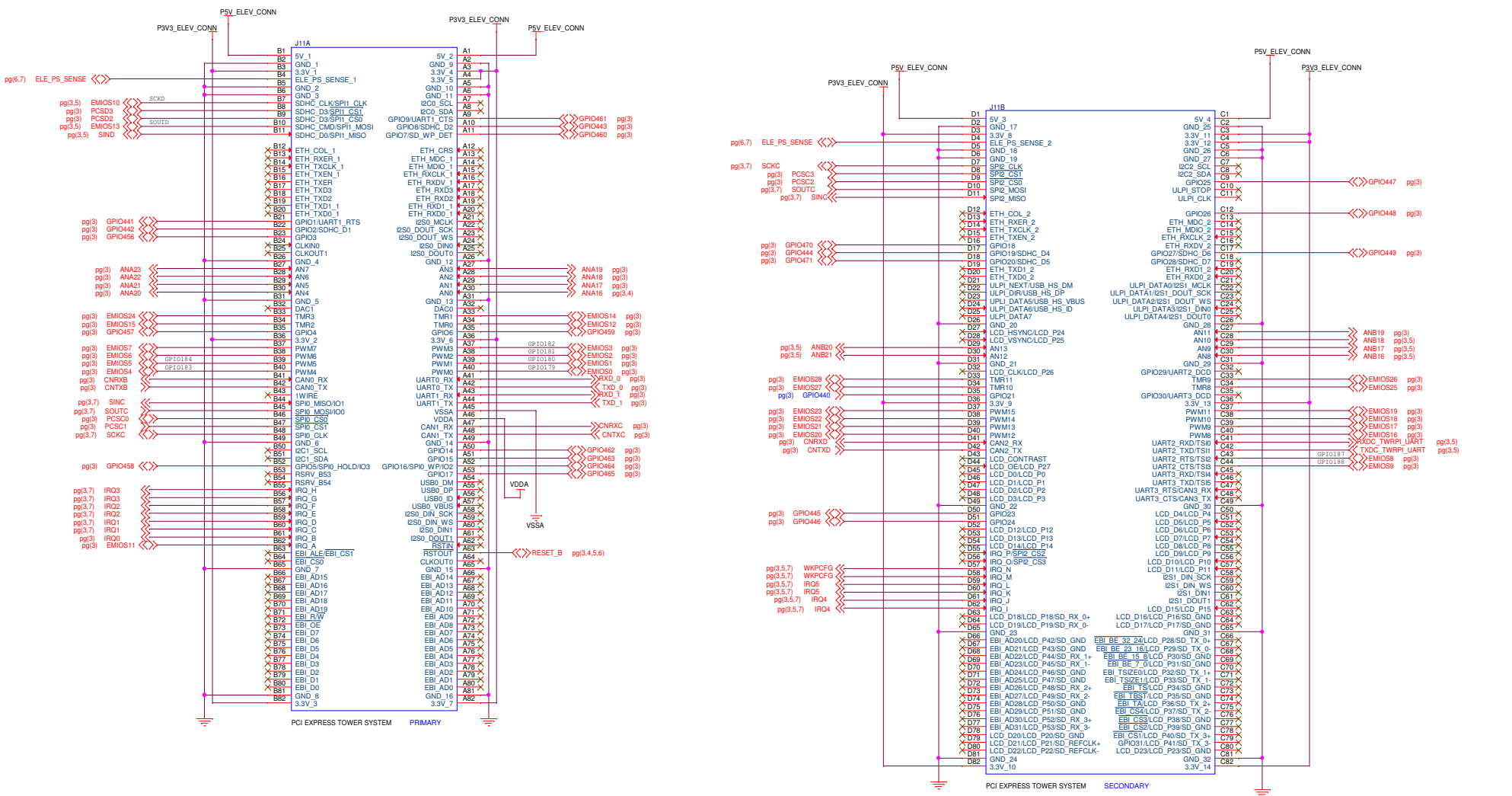
Size C	Document Number SCH-27306 PDF: SPF-27306	Rev B1
--------	--	--------

Date: Wednesday, March 14, 2012 Sheet 6 of 8



TOWER ELEVATORS' GOLDFINGERS

- pg(3.5) EMIO5[28..0]
- pg(3) PCSC3..1
- pg(3.4.8) ANA23..0



freescale
semiconductor

ICAP Classification: FCP: FIUC: X PUBL:

Drawing Title: **TWR-PXR40**

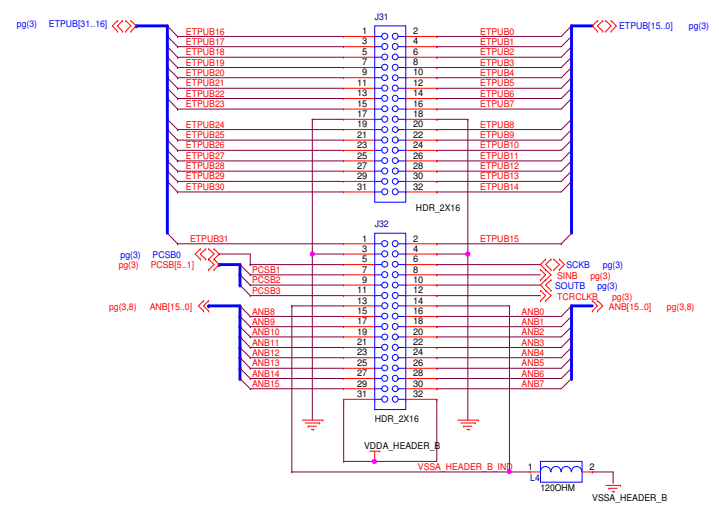
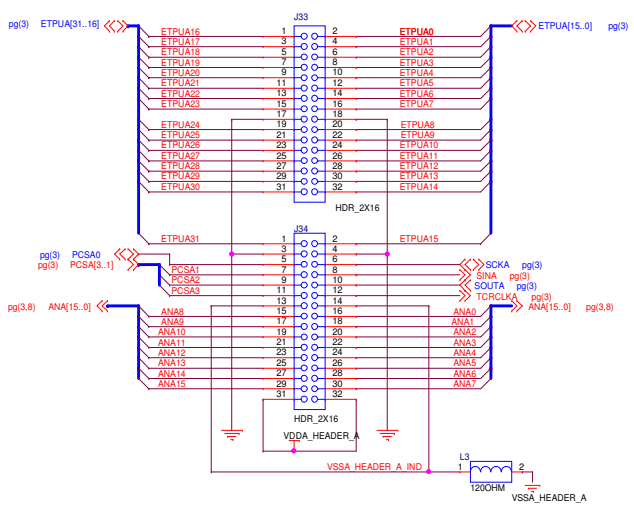
Page Title: **TOWER ELEVATORS**

Size C	Document Number SCH-27306 PDF: SPF-27306	Rev B1
--------	--	--------

Date: Wednesday, March 14, 2012 Sheet 7 of 8



EXPANSION HEADERS A / B



freescale
semiconductor

ICAP Classification: FCP: FUC: X PUB: _____
 Drawing Title: **TWR-PXR40**

Page Title: **EXPANSION HEADERS**

Size C	Document Number SCH-27308 PDF: SPF-27308	Rev B1
Date: Wednesday, March 14, 2012	Sheet 8	of 8