


Table of Contents

1	TITLE, TOC & REV
2	Notes
3	BMI7014


Revisions			
Rev	Description	Date	Approved
X1	Initial Draft	12-MAR-2024	Philippe Rousselle
A	Release	25-MAR-2024	Philippe Rousselle

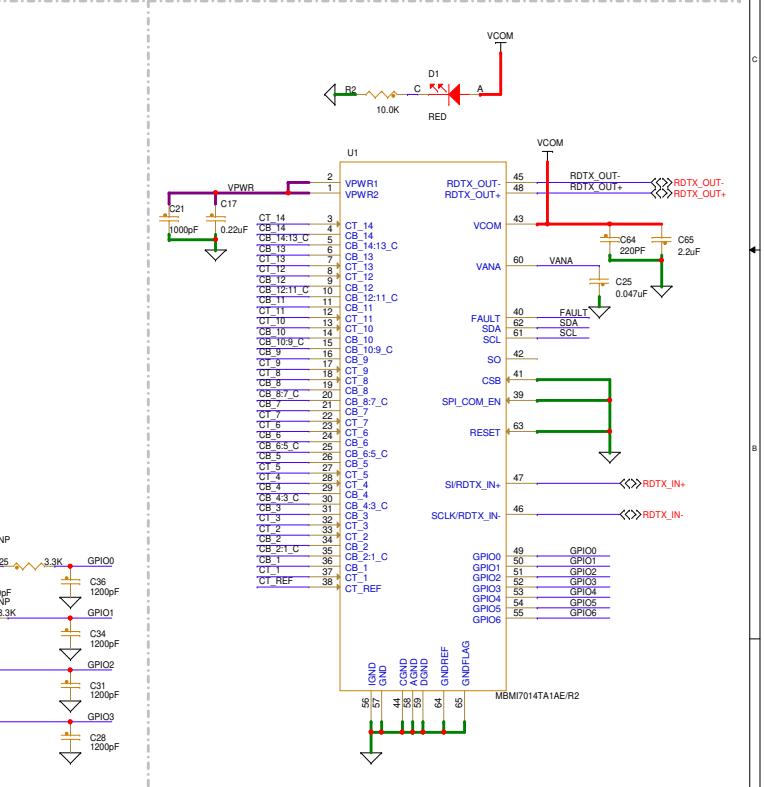
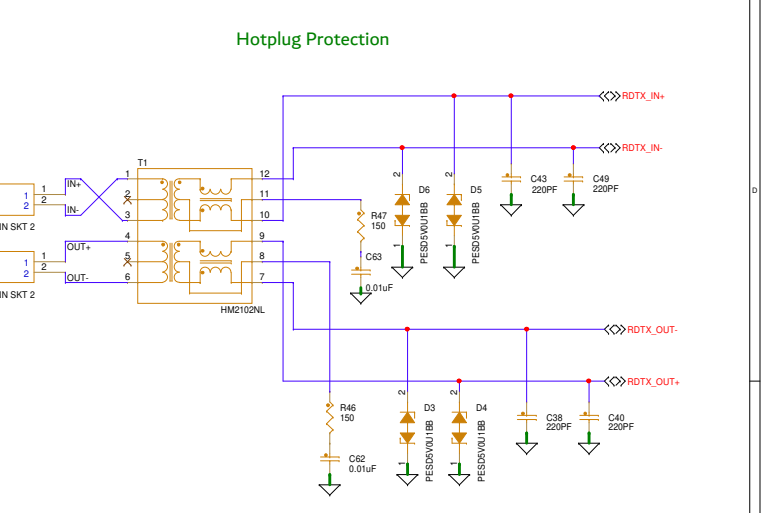
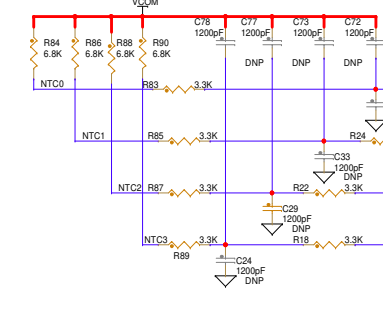
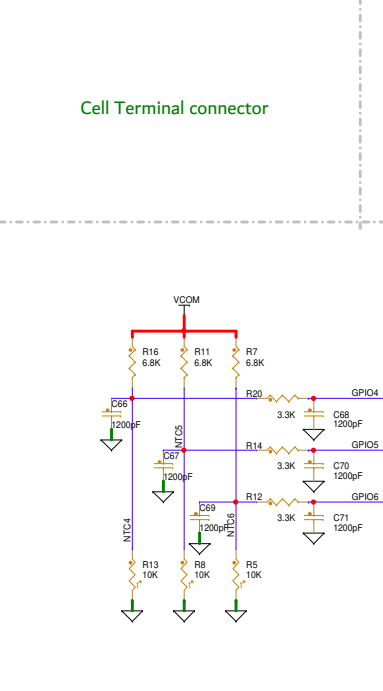
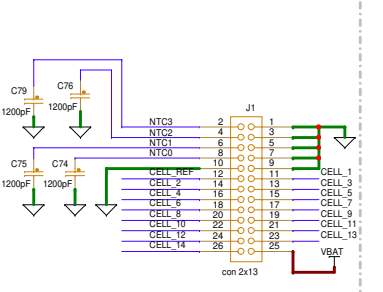
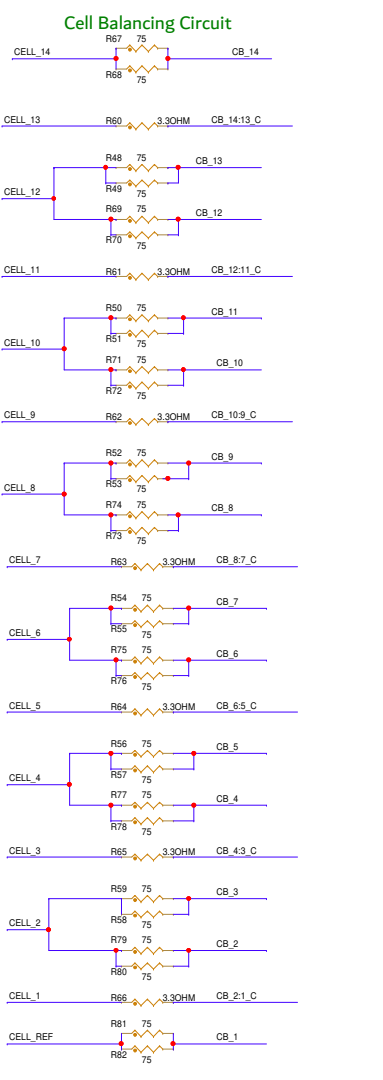
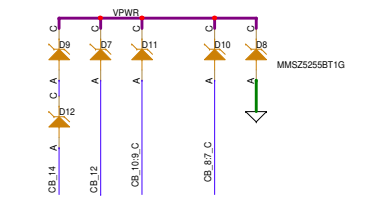
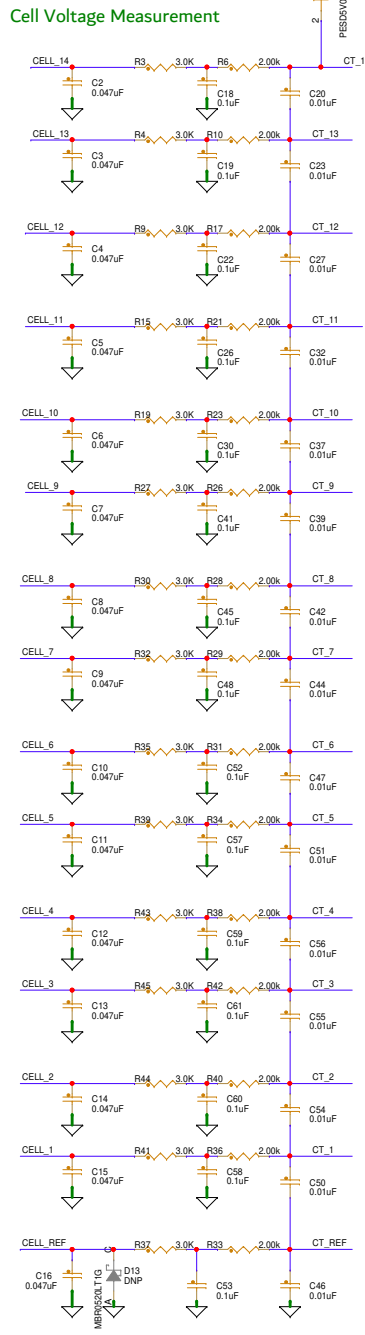
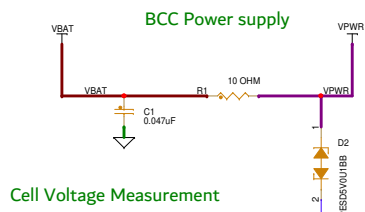
RDI7014DT1


EVB BMI7014 with TPL Interface and Transformer isolation

		Automotive Product Group 6501 William Cannon Drive West Austin, TX 78735-8598	
<small>This document contains information proprietary to NXP and shall not be used for engineering design, procurement or manufacture in whole or in part without the express written permission of NXP Semiconductors.</small>			
<small>ICAP Classification: CP: IJQ: X PUBI:</small>			
Designer: Philippe Rousselle	Drawing Title: RDI7014DT1		
Drawn by: Philippe Rousselle	Page Title: TITLE, TOC & REV		
Approved: Philippe Rousselle	Size C	Document Number SCH-93500 PDF: SPF-93500	Rev A
Date: Monday, March 25, 2024		Sheet 1 of 3	

REF DES	ASSY OPT	PAGE NAME
C24,C29,C33,C35,C72,C73,C77, C78,D13	DNP	03 - BMI7014

		Automotive Product Group 6501 William Cannon Drive West Austin, TX 78735-8598	
This document contains information proprietary to NXP and shall not be used for engineering design, procurement or manufacture in whole or in part without the express written permission of NXP Semiconductors.			
ICAP Classification: CP: IJQ: X PUBI:			
Designer: Philippe Rousselie	Drawing Title: RDI7014DT1		
Drawn by: Philippe Rousselie	Page Title: NOTES		
Approved: Philippe Rousselie	Size C	Document Number SCH-93500 PDF: SPF-93500	Rev A
Date:	Monday, March 25, 2024	Sheet	2 of 3





ICAP Classification: CP: IUC: X PUB:	
RD17014DT1	
Page Title: BMI7014	
Size C	Document Number SCH-93500 PDF: SPF-93500
Date: Monday, March 25, 2024	Sheet 3 of 3