


Table of Contents	
1	Title
2	Notes
3	Shield Board

Revisions		
X1	Original Release	13.07.2020
A	Release	13.08.2020
B	Removed X from notations Changed C2,C3 to C0402C101J2GACAUTO	18.02.2021


# FRDMSTBANBP8XD

		SECURITY & CONNECTIVITY SECURE MOBILE TRANSACTIONS 2 Esplanade Anton Philips, 14000 Caen, France	
This document contains information proprietary to NXP and shall not be used for engineering design, procurement or manufacture in whole or in part without the express written permission of NXP Semiconductors.			
ICAP Classification: CP: X IUQ: PUBI:			
Designer: Edi Gora	Drawing Title: <b>FRDMSTBANBP8XD</b>		
Drawn by: Edi Gora	Page Title: <b>Content</b>		
Approved: Frank Latona	Size C	Document Number SCH47506, SPF47506	Rev B
Date: Thursday, February 18, 2021		Sheet 1 of 3	

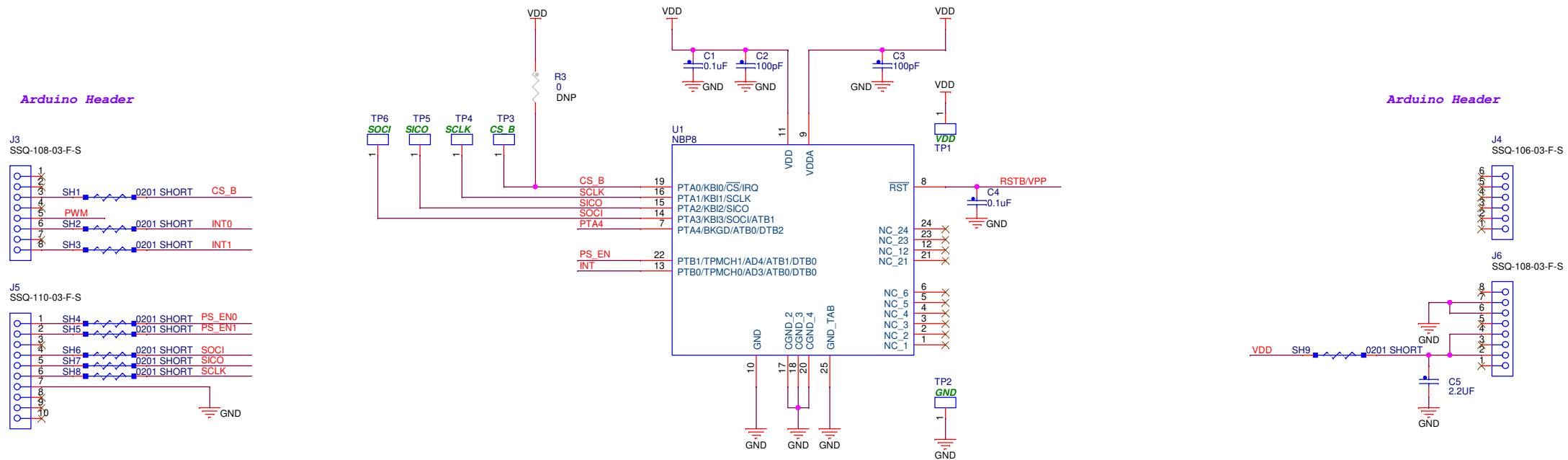
# Notes

REF DES	JUMPER	PAGE NAME
J2,J8,J1	2-3	3. SHLD BOARD

REF DES	ASSY OPT	PAGE NAME
R2,R1,R3	DNP	3. SHLD BOARD

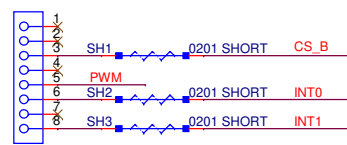
		SECURITY & CONNECTIVITY SECURE MOBILE TRANSACTIONS 2 Esplanade Anton Philips, 14000 Caen, France	
This document contains information proprietary to NXP and shall not be used for engineering design, procurement or manufacture in whole or in part without the express written permission of NXP Semiconductors.			
ICAP Classification: CP: X IUQ: PUBI:			
Designer: Edi Gora	Drawing Title: <b>FRDMSTBANBP8XD</b>		
Drawn by: Edi Gora	Page Title: <b>Notes</b>		
Approved: Frank Latona	Size C	Document Number SCH47506, SPF47506	Rev B
Date: Monday, February 08, 2021		Sheet 2 of 3	

# BATTERY PRESSURE MONITOR SENSOR (BPMS)

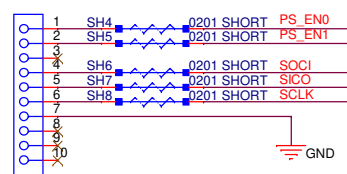


Arduino Header

J3 SSO-108-03-F-S



J5 SSO-110-03-F-S

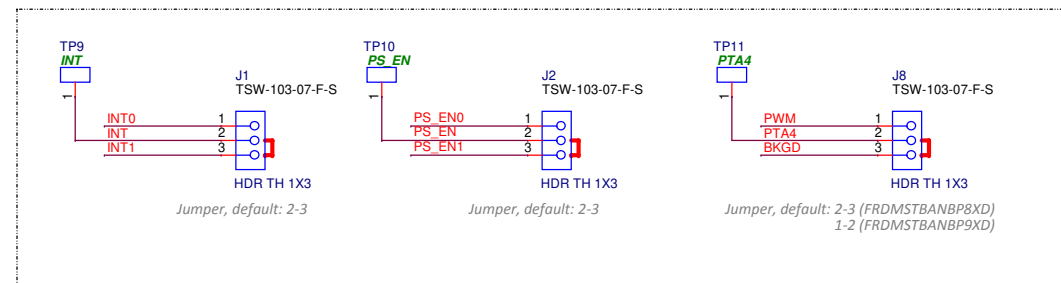
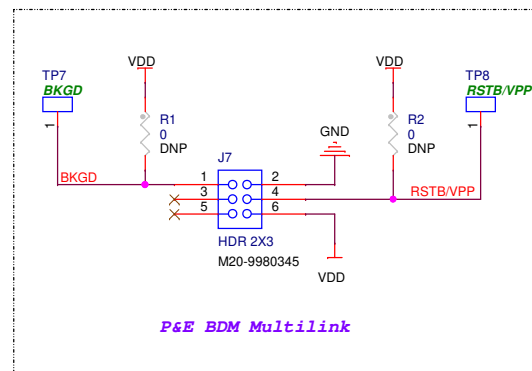


Arduino Header

J4 SSO-106-03-F-S



J6 SSO-108-03-F-S



		SECURITY & CONNECTIVITY SECURE MOBILE TRANSACTIONS 2 Esplanade Anton Philips, 14000 Caen, France	
		This document contains information proprietary to NXP and shall not be used for engineering design, procurement or manufacture in whole or in part without the express written permission of NXP Semiconductors.	
Designer: Edi Gora	Drawing Title: <b>FRDMSTBANBP8XD</b>		
Drawn by: Edi Gora	Page Title: <b>Shield Board</b>		
Approved: Frank Latona	Size C	Document Number SCH47506, SPF47506	Rev B
Date: Thursday, February 18, 2021		Sheet 3 of 3	