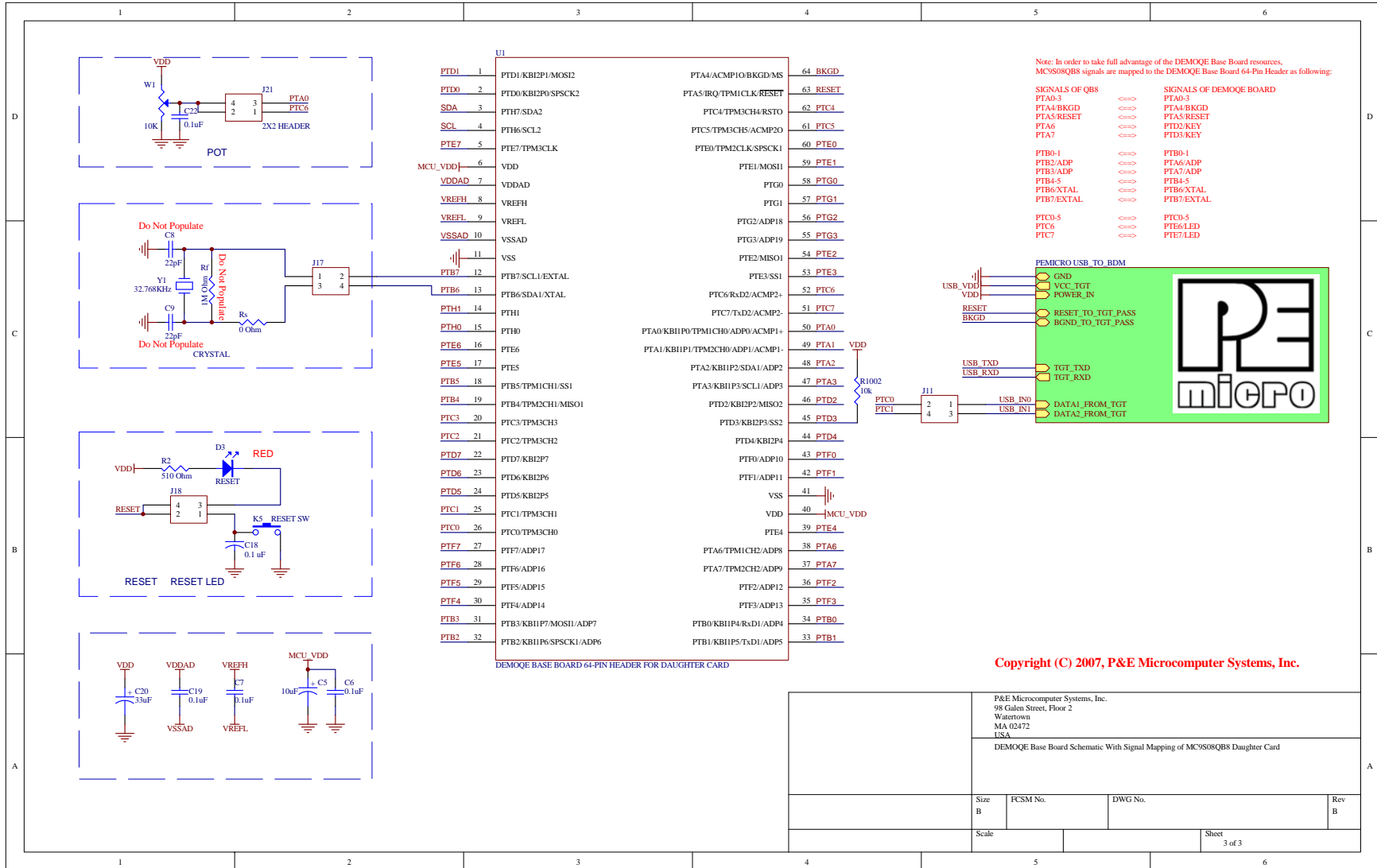


MCU_PORT_VDD	J1		J1	
1	VDD	PTA5/IRQ/TCLK/RESET	2	RESET
3	VSS	PTA5/IRQ/TCLK/RESET	4	RESET
PTB1	5	PTB1/KBIP5/TxD/ADP5	6	BKGD
PTB0	7	PTB0/KBIP4/RxD/ADP4	8	PTE7
PTA2	9	PTA3/KBIP3/ADP2	10	VREF1
PTA3	11	PTA3/KBIP3/ADP3	12	VREF1
PTC0	13	PTC0	14	PTD0
PTC1	15	PTA0/KBIP0/TPMCH0/ADP0/ACMP0	16	PTA1
PTB3	17	PTA1/KBIP1/ADP1/ACMP1	18	PTF0
PTB4	19	NC	20	PTF1
PTB2	21	PTB4	22	PTA6
PTB5	23	PTB5/TPMCH0	24	PTA7
PTD1	25	NC	26	SCL
PTD2	27	PTA6	28	SDA
PTD0	29	NC	30	PTD4
PTD3	31	PTA7	32	PTD5
PTC2	33	PTC2	34	PTD6
PTC3	35	PTC3	36	PTD7
PTC4	37	PTC4	38	PTC7
PTC5	39	PTC5	40	PTC6
PTE2	41	PTC3	42	PTB7
PTF3	43	NC	44	PTB6
PTF4	45	NC	46	PTG0
PTF5	47	NC	48	PTG1
PTF6	49	NC	50	PTH0
PTF7	51	NC	52	PTH1
PTG2	53	NC	54	PTC6
PTG3	55	NC	56	NC

DEMOQOE BASE BOARD MCU\_PORT PIN DEFINITION MAPPED FOR DEMOS0808BS SPECIFICALLY

Copyright (C) 2007, P&E Microcomputer Systems, Inc.

P&E Microcomputer Systems, Inc. 98 Galen Street, Floor 2 Watertown, MA 02472 USA		DEMOQOE Base Board Schematic With MCU_Port Pin Definition Mapped for MC9S0808BS Daughter Card	
Size B	FCSM No.	DWG No.	Rev B
Scale		Sheet 2 of 3	



Copyright (C) 2007, P&E Microcomputer Systems, Inc.

P&E Microcomputer Systems, Inc.  
 98 Galen Street, Floor 2  
 Watertown, MA 02472  
 USA  
 DEMOQE Base Board Schematic With Signal Mapping of MC9S08QBS Daughter Card

Size B	FCSM No.	DWG No.	Rev B
Scale		Sheet 3 of 3	