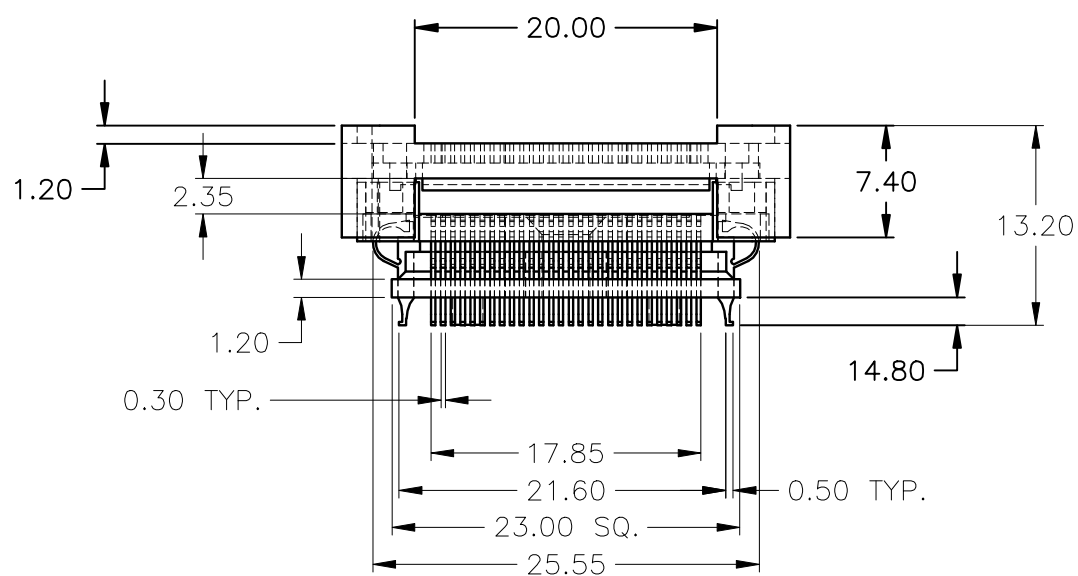


ASSEMBLY OPTION "A" SHOWN
(See Sheet #2 for Option "B")



2	1	HQ Pack	Adapters.com	000-2241-00
1	1	NQ Pack	Adapters.com	000-2240-00
ITEM	QTY	NAME	MATERIAL	DESCRIPTION

Parts List

FILE NAME LFTHNYIT.DWG
 CONTRACT NO -
 DRAWN 06/24/08 MJL
 CHECK 07/14/08 CJW
 APPR. 10/07/2010 = WEB
 ISSUED

28125 Cobot Drive, Suite 100
Novi MI 48377

QFP Target Interface Adapter and Surface Mount Socket Set
 112 PIN 0.65mm Lead Free (Assembly Option "A")

NOTE: DIMENSIONS ARE IN MILLIMETERS DO NOT SCALE DRAWING	SIZE B	FSCM NO -	DWG NO LFTHNYIT	REV
SCALE 2:1	WEIGHT	SHEET 1 of 2		