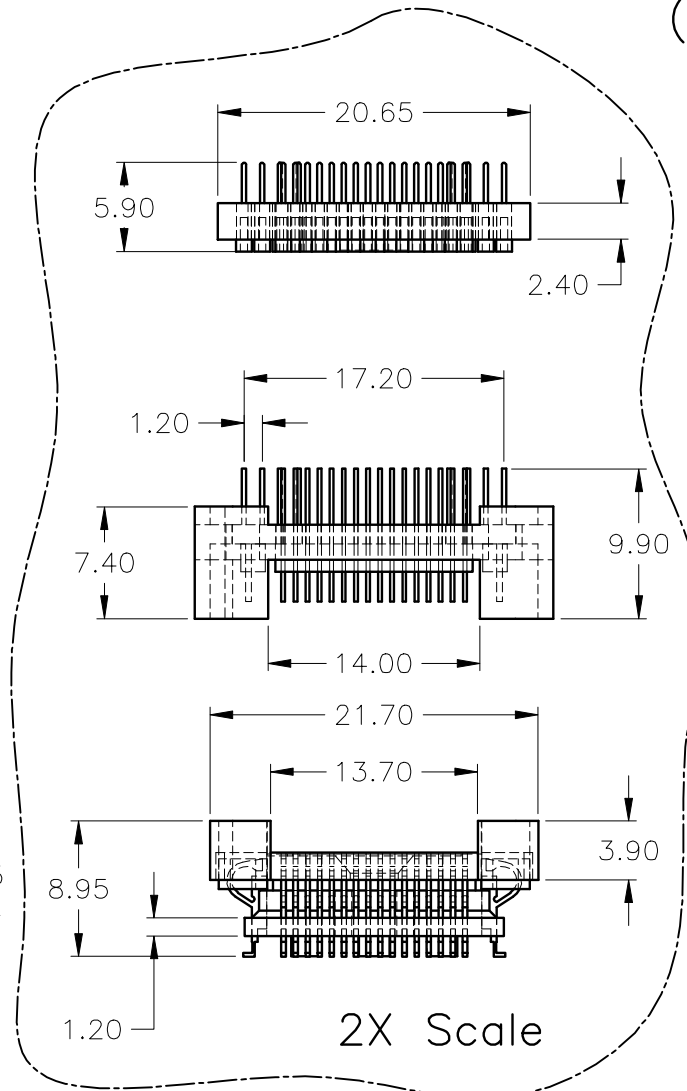
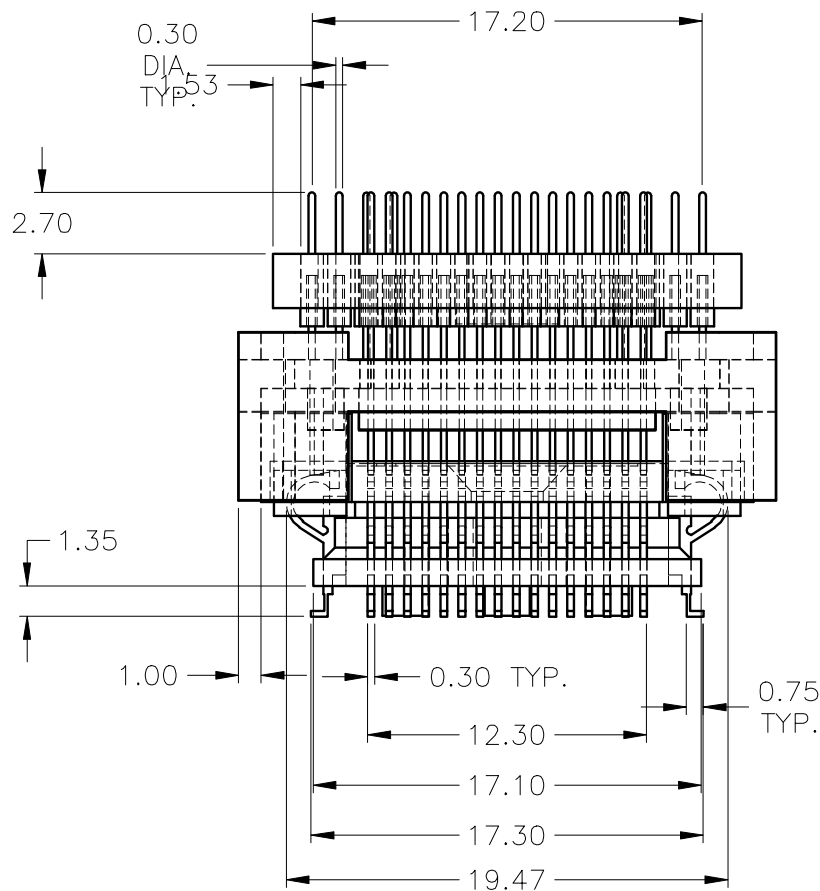


ASSEMBLY OPTION "B" SHOWN
(See Sheet #1 for Option "A")



EXPLODED VIEW

ITEM	QTY	NAME	MATERIAL	DESCRIPTION
3	1	TQ Socket	Adapters.com	000-2792
2	1	YQ Pack	Adapters.com	000-2119-00
1	1	NQ Pack	Adapters.com	000-2117-00

Parts List

FILE NAME	LFTHNYET.DWG
CONTRACT NO	-
DRAWN	06/23/08 MJL
CHECK	07/14/08 CJW
APPR.	09/08/2010 = WEB
ISSUED	
NOTE:	DIMENSIONS ARE IN MILLIMETERS DO NOT SCALE DRAWING

		28125 Cabot Drive, Suite 100 Novi MI 48377	
		QFP Target Interface Adapter and Surface Mount Socket Set 64 PIN 0.8mm Lead Free (Assembly Option "B")	
SIZE	FSCM NO	DWG NO	REV
B	-	LFTHNYET	
SCALE	3:1	WEIGHT	SHEET 2 of 2