



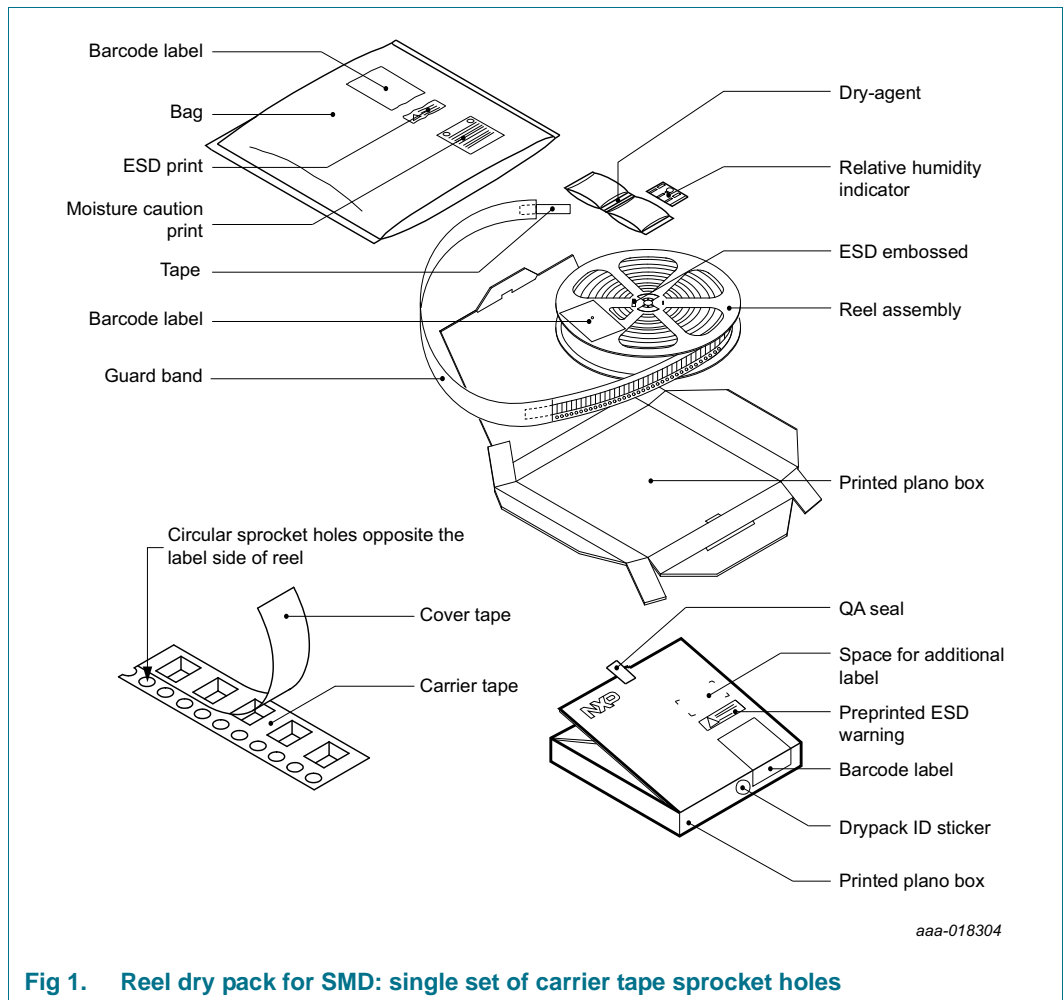
SOT1446-1

HVQFN184; Reel dry pack, SMD, 13"
Q2/T3 standard product orientation
Orderable part number ending ,528 or MP
Ordering code (12NC) ending 528

Rev. 1 — 13 July 2016

Packing information

1. Packing method



HVQFN184; Reel dry pack, SMD, 13"
 Q2/T3 standard product orientation
 Orderable part number ending ,528 or MP
 Ordering code (12NC) ending 528

Table 1. Dimensions and quantities

Reel dimensions d × w (mm) [1]	SPQ/PQ (pcs) [2]	Reels per box	Outer box dimensions l × w × h (mm)
330 × 24	2000	1	342 × 338 × 49

[1] d = reel diameter; w = tape width.

[2] Packing quantity dependent on specific product type.

View ordering and availability details at [NXP order portal](#), or contact your local NXP representative.

2. Product orientation

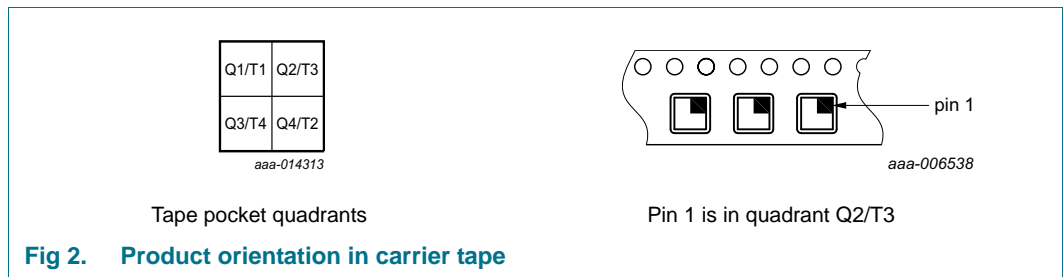


Fig 2. Product orientation in carrier tape

3. Carrier tape dimensions

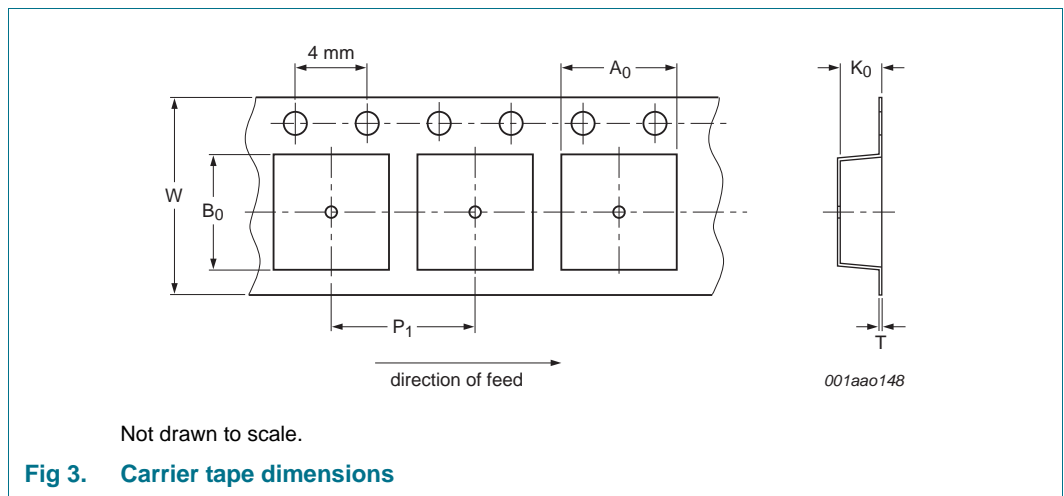


Fig 3. Carrier tape dimensions

Table 2. Carrier tape dimensions

In accordance with IEC 60286-3.

A ₀ (mm)	B ₀ (mm)	K ₀ (mm)	T (mm)	P ₁ (mm)	W (mm)
C-Pak carrier tape					
12.35 ± 0.10	12.35 ± 0.10	1.50 ± 0.10	0.30 ± 0.05	16.0 ± 0.10	24.0 ± 0.30
Hwa-Shu carrier tape (ASE)					
12.40 ± 0.10	12.40 ± 0.10	1.35 ± 0.10	0.30 ± 0.05	16.0 ± 0.10	24.0 ± 0.30

HVQFN184; Reel dry pack, SMD, 13"
 Q2/T3 standard product orientation
 Orderable part number ending ,528 or MP
 Ordering code (12NC) ending 528

4. Reel dimensions

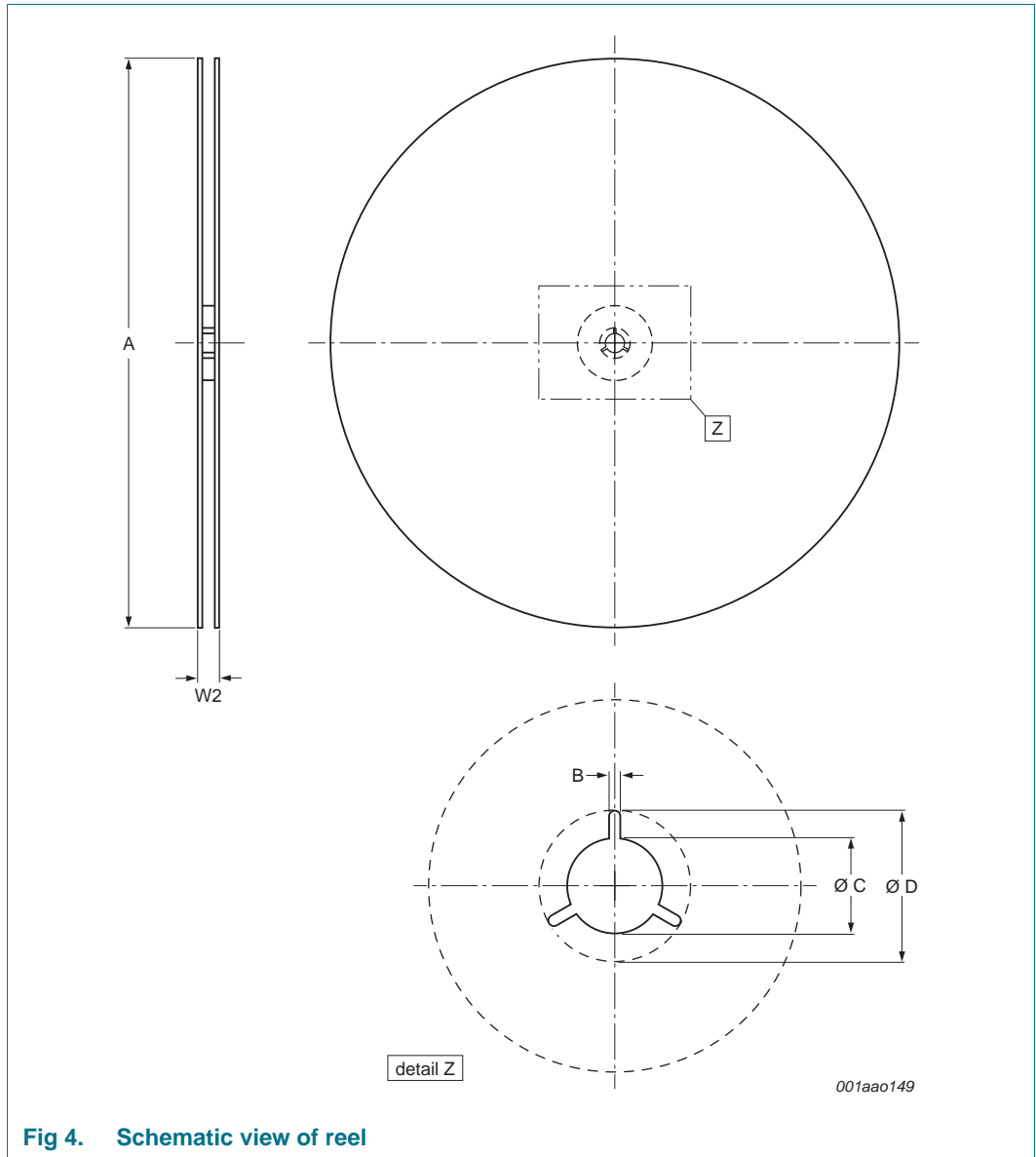


Fig 4. Schematic view of reel

Table 3. Reel dimensions
 In accordance with IEC 60286-3.

A [nom] (mm)	W2 [max] (mm)	B [min] (mm)	C [min] (mm)	D [min] (mm)
330	30.4	1.5	12.8	20.2

HVQFN184; Reel dry pack, SMD, 13"
 Q2/T3 standard product orientation
 Orderable part number ending ,528 or MP
 Ordering code (12NC) ending 528

5. Barcode label

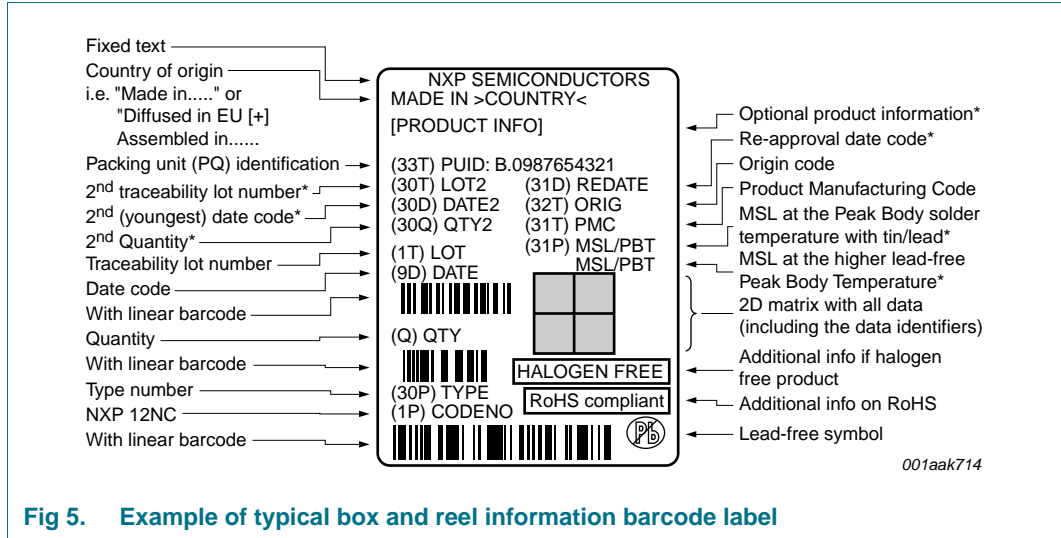


Fig 5. Example of typical box and reel information barcode label

Table 4. Barcode label dimensions

Box barcode label l × w (mm)	Reel barcode label l × w (mm)
100 × 75	100 × 75

HVQFN184; Reel dry pack, SMD, 13"
Q2/T3 standard product orientation
Orderable part number ending ,528 or MP
Ordering code (12NC) ending 528

6. Revision history

Table 5. Revision history

Document ID	Release date	Packing document status	Change notice	Supersedes
SOT1446-1_528 v.1.1	20160713	Packing information	-	-

Limited warranty and liability

Information in this document is believed to be accurate and reliable. However, NXP Semiconductors does not give any representations or warranties, expressed or implied, as to the accuracy or completeness of such information and shall have no liability for the consequences of use of such information.

© NXP Semiconductors N.V. 2016.

All rights reserved.

For more information, please visit: <http://www.nxp.com>

For sales office addresses, please send an email to: salesaddresses@nxp.com

Date of release: 13 July 2016

Document identifier: SOT1446-1_528