



# SOT1698-1

QFP160S, plastic, quad flat package; 160 terminals; 0.65 mm pitch; 45.3 mm x 45.3 mm x 4.8 mm body

28 December 2020

Package information

## 1 Package summary

<b>Terminal position code</b>	Q (quad)
<b>Package type descriptive code</b>	QFP160S
<b>Package style descriptive code</b>	QFP (quad flat package)
<b>Package body material type</b>	P (plastic)
<b>JEDEC package outline code</b>	PQFP-G160
<b>Mounting method type</b>	S (surface mount)
<b>Issue date</b>	19-01-2016
<b>Manufacturer package code</b>	98ASB42876B

Table 1. Package summary

Parameter	Min	Nom	Max	Unit
package length	45.17	45.3	45.43	mm
package width	45.17	45.3	45.43	mm
package height	4.7	4.8	4.9	mm
nominal pitch	-	0.65	-	mm
actual quantity of termination	-	160	-	



QFP160S, plastic, quad flat package; 160 terminals; 0.65 mm pitch; 45.3 mm x 45.3 mm x 4.8 mm body

2 Package outline

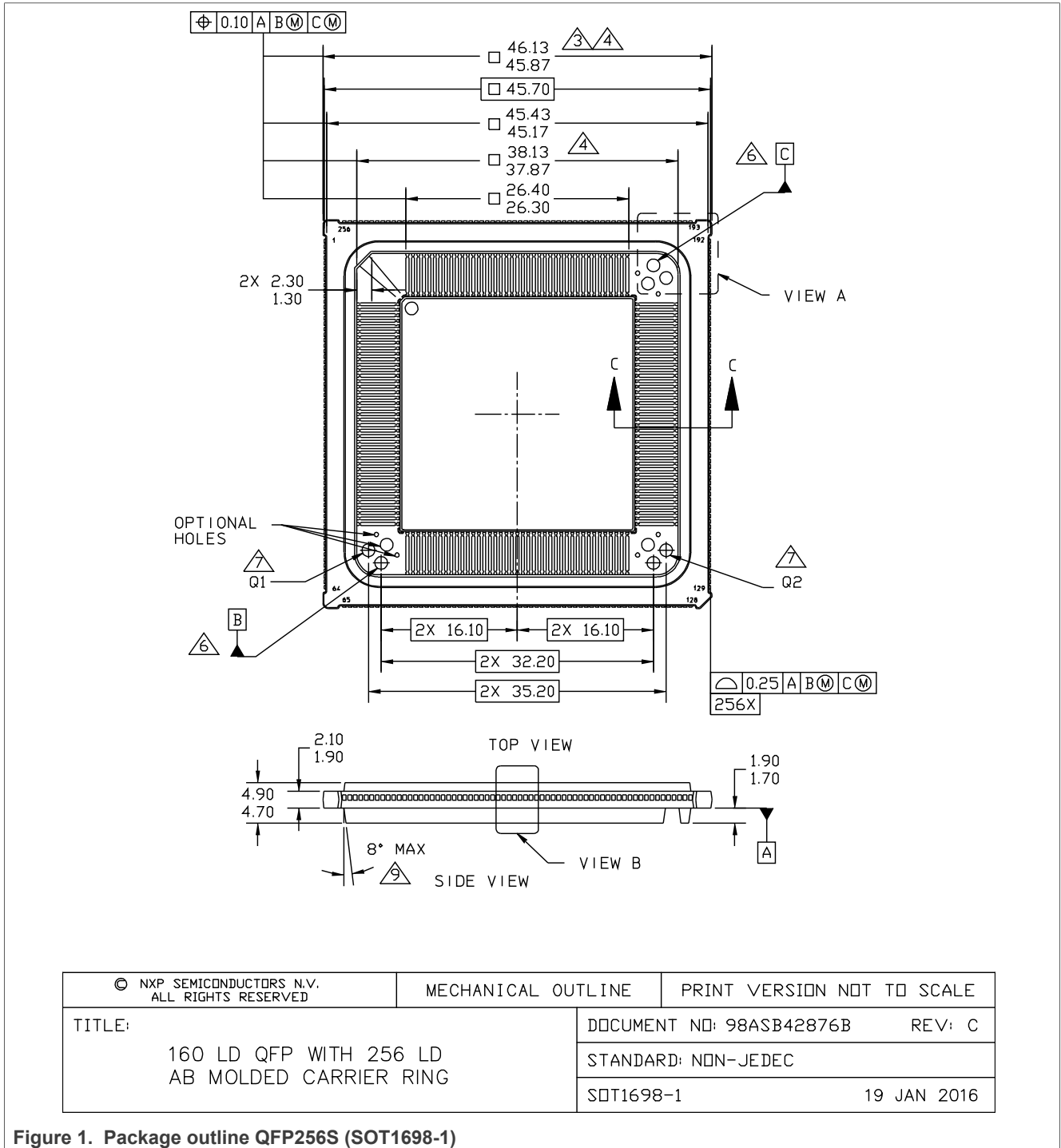
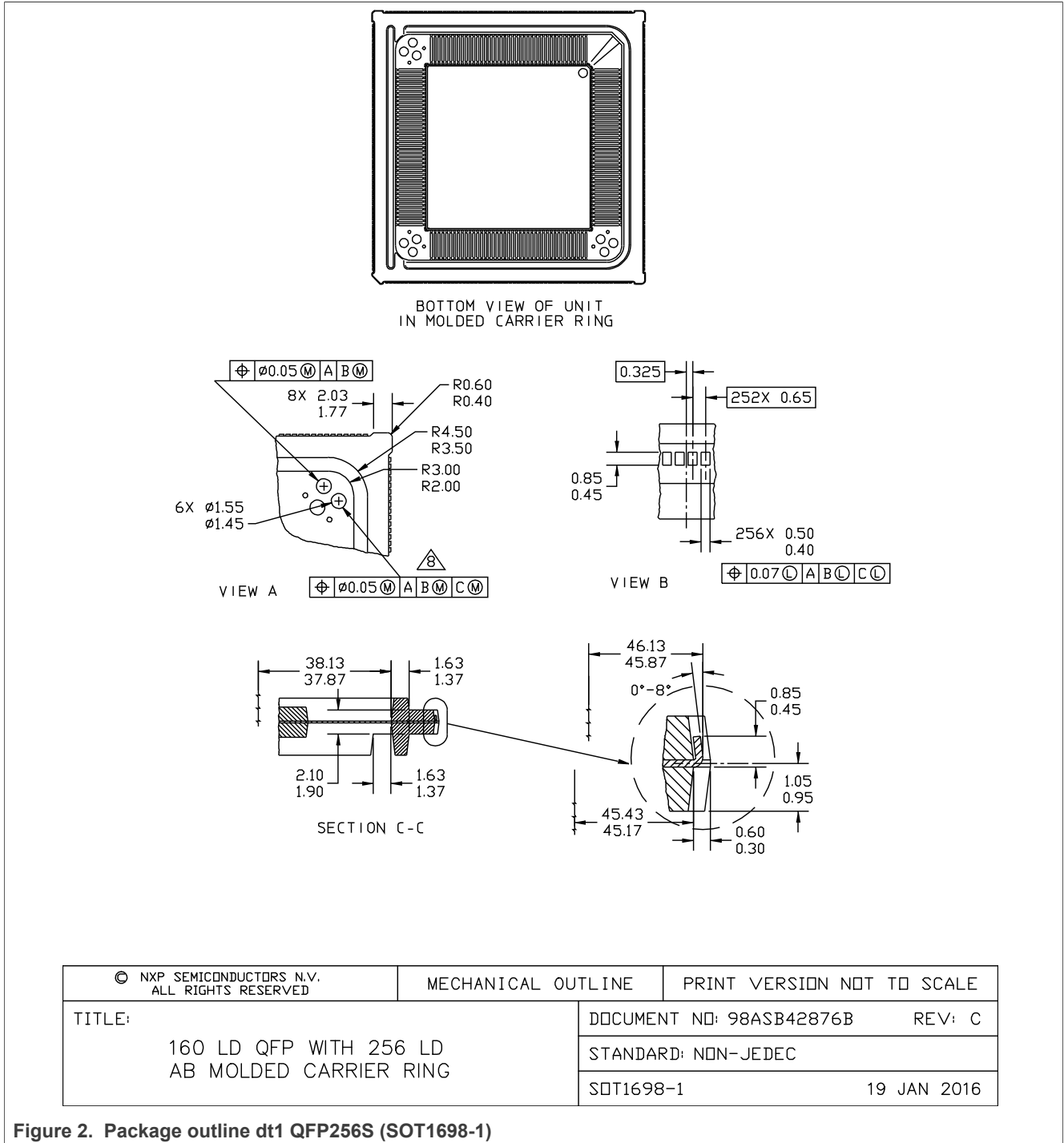


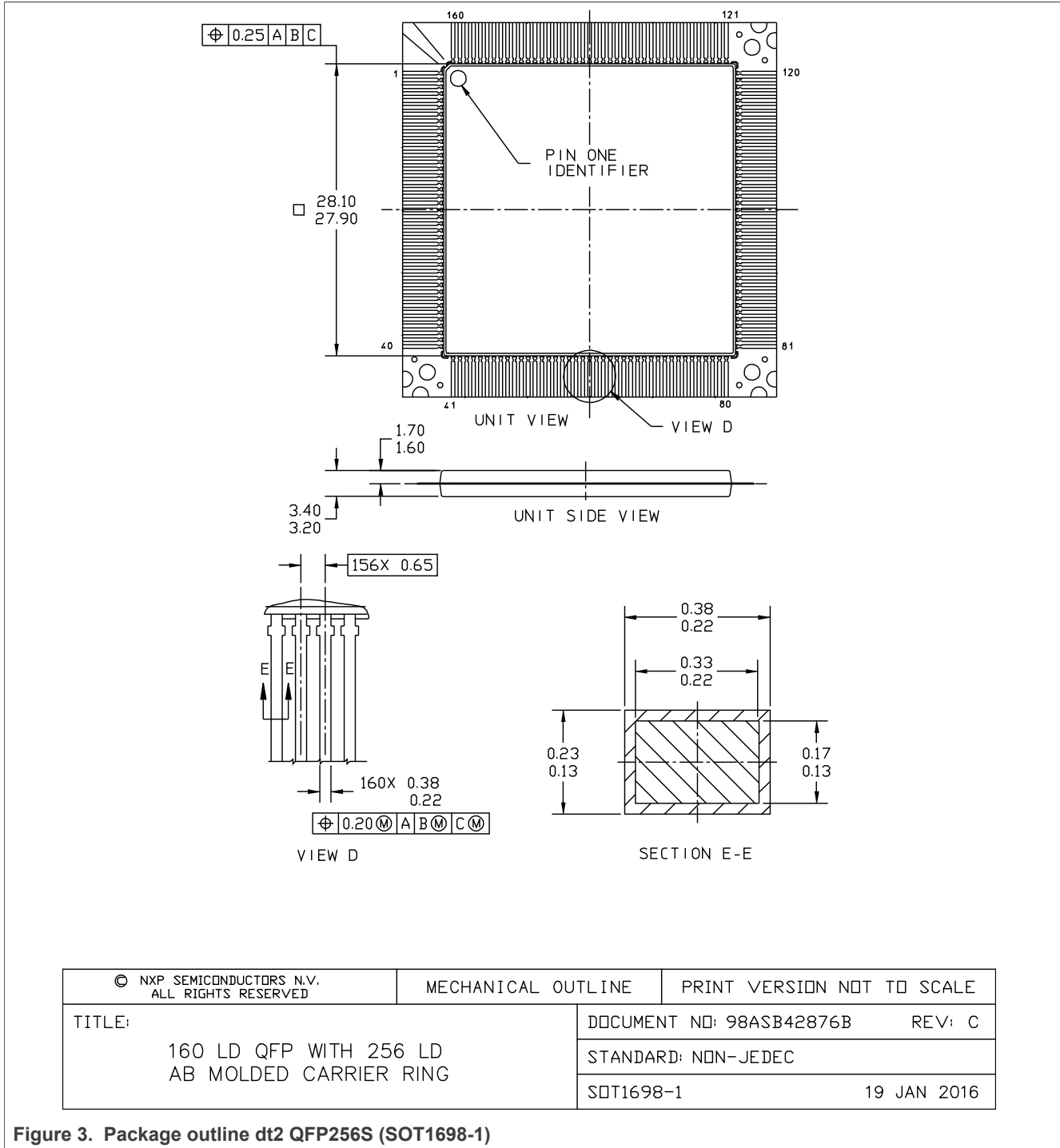
Figure 1. Package outline QFP256S (SOT1698-1)

QFP160S, plastic, quad flat package; 160 terminals; 0.65 mm pitch; 45.3 mm x 45.3 mm x 4.8 mm body



<p>© NXP SEMICONDUCTORS N.V. ALL RIGHTS RESERVED</p>	<p>MECHANICAL OUTLINE</p>	<p>PRINT VERSION NOT TO SCALE</p>
<p>TITLE:</p> <p>160 LD QFP WITH 256 LD AB MOLDED CARRIER RING</p>		<p>DOCUMENT NO: 98ASB42876B    REV: C</p> <p>STANDARD: NON-JEDEC</p> <p>SOT1698-1    19 JAN 2016</p>

QFP160S, plastic, quad flat package; 160 terminals; 0.65 mm pitch; 45.3 mm x 45.3 mm x 4.8 mm body



QFP160S, plastic, quad flat package; 160 terminals; 0.65 mm pitch; 45.3 mm x 45.3 mm x 4.8 mm body

NOTES:

1. ALL DIMENSIONS AND TOLERANCES CONFORM TO ASME Y14.5M-1994.
2. CONTROLLING DIMENSION: MILLIMETER
3. DIMENSION DOES NOT INCLUDE MOLD PROTRUSION. ALLOWABLE MOLD PROTRUSION IS 0.20 PER SIDE.
4. DIMENSIONS INCLUDE MOLD MISMATCH, AND ARE MEASURED AT THE PARTING LINE.
5. UNLESS OTHERWISE SPECIFIED DIMENSIONS ARE SYMMETRICAL ABOUT CENTERLINES.
6. DATUM HOLES B AND C ARE TO BE USED FOR TRIM, FORM AND EXCISE OF THE MOLDED PACKAGE ONLY.
7. HOLES Q1 AND Q2 ARE TO BE USED FOR ELECTRICAL TESTING ONLY.
8. NON-DATUM HOLES ONLY.
9. APPLIES TO RING AND PACKAGE FEATURES.

© NXP SEMICONDUCTORS N.V. ALL RIGHTS RESERVED	MECHANICAL OUTLINE	PRINT VERSION NOT TO SCALE
TITLE:  160 LD QFP WITH 256 LD AB MOLDED CARRIER RING	DOCUMENT NO: 98ASB42876B	REV: C
	STANDARD: NON-JEDEC	
	SOT1698-1	19 JAN 2016

Figure 4. Package outline note QFP256S (SOT1698-1)

---

QFP160S, plastic, quad flat package; 160 terminals; 0.65 mm pitch; 45.3 mm x 45.3 mm x 4.8 mm body

### 3 Legal information

---

#### Disclaimers

**Limited warranty and liability** — Information in this document is believed to be accurate and reliable. However, NXP Semiconductors does not give any representations or warranties, expressed or implied, as to the accuracy or completeness of such information and shall have no liability for the consequences of use of such information. NXP Semiconductors takes no responsibility for the content in this document if provided by an information source outside of NXP Semiconductors.

In no event shall NXP Semiconductors be liable for any indirect, incidental, punitive, special or consequential damages (including - without limitation - lost profits, lost savings, business interruption, costs related to the removal or replacement of any products or rework charges) whether or not such damages are based on tort (including negligence), warranty, breach of contract or any other legal theory.

Notwithstanding any damages that customer might incur for any reason whatsoever, NXP Semiconductors' aggregate and cumulative liability towards customer for the products described herein shall be limited in accordance with the Terms and conditions of commercial sale of NXP Semiconductors.

**Right to make changes** — NXP Semiconductors reserves the right to make changes to information published in this document, including without limitation specifications and product descriptions, at any time and without notice. This document supersedes and replaces all information supplied prior to the publication hereof.

QFP160S, plastic, quad flat package; 160 terminals; 0.65 mm pitch; 45.3 mm x 45.3 mm x 4.8 mm body

Contents

---

1 Package summary .....1  
2 Package outline .....2  
3 Legal information .....6