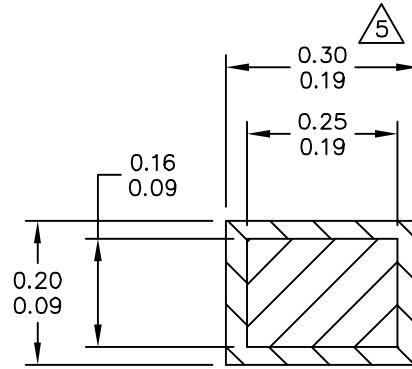
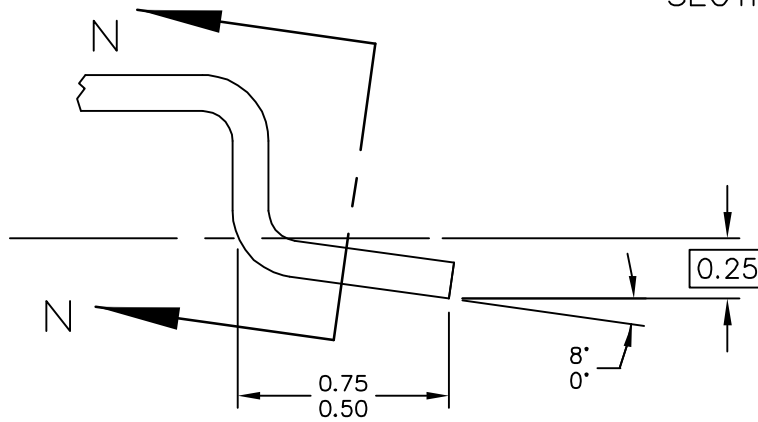


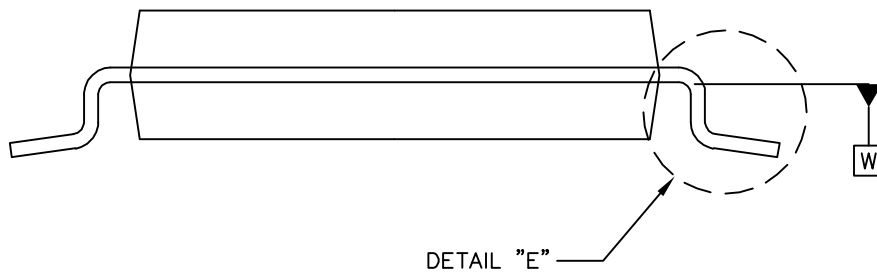
© NXP SEMICONDUCTORS N.V. ALL RIGHTS RESERVED	MECHANICAL OUTLINE	PRINT VERSION NOT TO SCALE
TITLE: 14 LD TSSOP, PITCH 0.65MM	DOCUMENT NO: 98ASH70246A	REV: C
	STANDARD: JEDEC	
	SOT403-2	02 MAR 2016



SECTION N-N



DETAIL "E"



DETAIL "E"

© NXP SEMICONDUCTORS N.V. ALL RIGHTS RESERVED	MECHANICAL OUTLINE	PRINT VERSION NOT TO SCALE
TITLE: 14 LD TSSOP, PITCH 0.65MM	DOCUMENT NO: 98ASH70246A	REV: C
	STANDARD: JEDEC	
	SOT403-2	02 MAR 2016



NOTES:

1. CONTROLLING DIMENSION: MILLIMETER.
2. DIMENSIONS AND TOLERANCES PER ASME Y14.5M-1994.
3. THIS DIMENSION DOES NOT INCLUDE MOLD FLASH, PROTRUSIONS OR GATE BURRS. MOLD FLASH OR GATE BURRS SHALL NOT EXCEED 0.15 PER SIDE.
4. THIS DIMENSION DOES NOT INCLUDE INTERLEAD FLASH OR PROTRUSION. INTERLEAD FLASH OR PROTRUSION SHALL NOT EXCEED 0.25 PER SIDE.
5. THIS DIMENSION DOES NOT INCLUDE DAMBAR PROTRUSION. ALLOWABLE DAMBAR PROTRUSION SHALL BE 0.08 TOTAL IN EXCESS OF THE DIMENSION AT MAXIMUM MATERIAL CONDITION.
6. TERMINAL NUMBERS ARE SHOWN FOR REFERENCE ONLY.
7. THIS DIMENSIONS ARE TO BE DETERMINED AT DATUM PLANE W

© NXP SEMICONDUCTORS N.V. ALL RIGHTS RESERVED	MECHANICAL OUTLINE	PRINT VERSION NOT TO SCALE
TITLE: 14 LD TSSOP, PITCH 0.65MM	DOCUMENT NO: 98ASH70246A	REV: C
	STANDARD: JEDEC	
	SOT403-2	02 MAR 2016