

PN7160_PN7161

Near Field Communication (NFC) controller

Rev. 4.0 — 5 September 2024

Product data sheet



1 Introduction

This data sheet describes the PN7160 and PN7161 NFC controllers with NCI interface and integrated firmware.

The PN7161 supports all features of PN7160 plus "Enhanced Contactless Polling" (ECP) by Apple (see Ref. [\[13\]](#)). Please note, that the ECP feature is available after formal authorization only.

In the following document PN7160 refers to PN7160 and PN7161, otherwise stated.

This data sheet requires additional documents for functional chip description and design in. Refer to the references listed in this document for full list of documentation provided by NXP.



2 General description

PN7160 is an NFC controller designed for integration in mobile devices and devices compliant with NFC standards (NFC Forum, NCI).

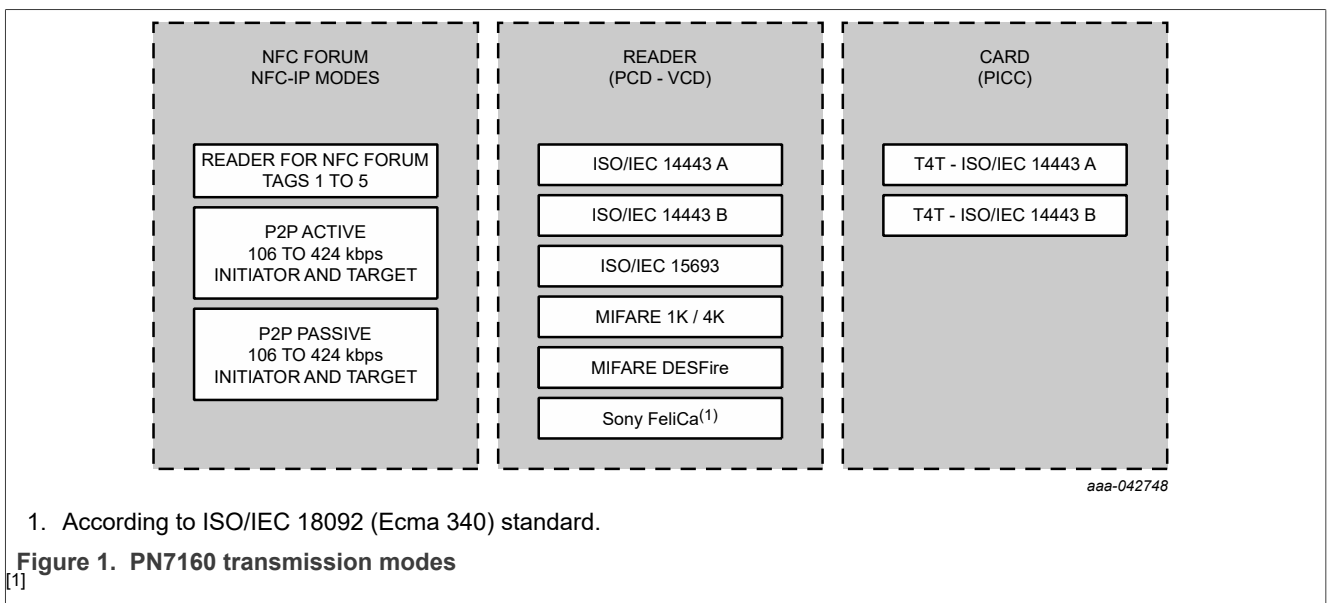
PN7160 is designed based on experience from previous NXP NFC device generation to ease the integration of NFC technology in mobile devices by providing:

- A low PCB footprint and a reduced external Bill of Material
- An optimized architecture for low-power consumption in different modes (Standby, low-power polling loop)
- A highly efficient integrated power management unit allowing direct supply from an extended battery supply range (2.8 V to 5.5 V).
- Support of an external DC-to-DC like NXP PCA941xA (with x = 0, 1 and 2), to provide more output power.

PN7160 embeds a new generation RF contactless front-end, supporting various transmission modes according to NFCIP-1 (see Ref. [9]) and NFCIP-2 (see Ref. [11]), ISO/IEC14443 (see Ref. [3]) , ISO/IEC 15693 (see Ref. [10]), MIFARE and FeliCa specifications. This new contactless front-end design brings a major performance step-up with on one hand a higher sensitivity and on the other hand the capability to work in active load modulation communication enabling the support of small antenna form factor. It also allows to provide a higher output power by supplying the transmitter output stage from 2.7 V to 5.25 V.

- Enhanced Dynamic LMA (DLMA) to optimize and to enhance load modulation amplitude depending on external field strength. It allows higher range communication distance in card mode.
- Independent LMA phase adjustment by step of 5° for type A, B and F
- Dynamic power control which allows to make use of the maximum power in reader mode without exceeding the maximum power allowed by the standard in 0 distance.
- Card mode receiver sensitivity of 20 mV_(p-p)
- Support of single ended receiver
- 1.3 W output transmitter power

Supported transmission modes are listed in [Figure 1](#). For contactless card functionality, the PN7160 can act autonomously if previously configured by the host in such a manner. PICC functionality can be supported without host being turned on.



[1] P2P active and passive functionality is supported only up to Firmware version 12.50.0A

3 Features and benefits

- Highly integrated demodulator and decoder
- Buffered output drivers to connect an antenna with minimum number of external components
- Integrated RF level detector
- Integrated Polling Loop for automatic device discovery
- RF protocols supported
 - ISO/IEC 14443A, ISO/IEC 14443B PICC mode
 - ISO/IEC 14443A, ISO/IEC 14443B PCD mode designed according to NFC Forum digital protocol T4T platform and ISO-DEP (see Ref. [1])
 - FeliCa PCD mode
 - MIFARE PCD encryption mechanism (MIFARE 1K/4K)
 - NFC Forum tags T1T, T2T, T3T, T4T and T5T (see Ref. [1])
 - NFCIP-1, NFCIP-2 protocol (see Ref. [9] and Ref. [11])
 - *Only up to Firmware version 12.50.0A*: NFC Forum certification for P2P, reader and card mode (see Ref. [1])
 - ISO/IEC 15693/ICODE VCD mode (see Ref. [10])
 - NFC Forum-compliant embedded T4T for NDEF short record
 - Support for "Enhanced Contactless Polling" by Apple (see Ref. [13]) (PN7161 only)
- Supported host interfaces
 - NCI 2.0 protocol interface according to NFC Forum standardization (see Ref. [2])
 - I²C-bus High-speed mode (see Ref. [4])
 - SPI-bus (see Ref. [5])
- Flexible clock supply concept to facilitate PN7160 integration
 - Internal oscillator for 27.12 MHz crystal connection
 - Integrated PLL unit to make use of device reference clock and facilitate PN7160 integration
- Integrated power management unit
 - Direct connection to a battery (2.5 V to 5.5 V voltage supply range)
 - Support different low-power states configuration: Hard Power-Down state and Standby state activated by firmware
 - Autonomous mode when host is shut down
- Automatic wake-up via RF field, internal timer, and host interfaces
- Integrated non-volatile memory to store data and executable code for customization
 - Anti tearing support to recover from tearing events
- Standards compliance
 - NFC Forum Device Requirements (see Ref. [1])
 - NCI 2.0

4 Applications

- Mobile devices
- Portable equipment (personal digital assistants, tablet, notebook, wearable)
- Consumer devices
- Smart home gateways

5 Quick reference data

Table 1. Quick reference data

Symbol	Parameter	Conditions	Min	Typ	Max	Unit
V _{BAT}	battery supply voltage	Card Emulation and Passive Target; V _{SS} = 0 V	[1] 2.5	-	5.5	V
		Reader, Active Initiator and Active Target; V _{SS} = 0 V	[1] 2.8	-	5.5	V
V _{DD(UP)}	V _{DD(UP)} input supply voltage	Reader, Active Initiator and Active Target; V _{SS} = 0 V	[1] 2.8	-	5.8	V
		All other cases except Hard Power Down state; V _{SS} = 0 V	[1] [2] 2.5	-	5.8	V
V _{DD(PAD)}	V _{DD(PAD)} supply voltage	supply voltage for host interface; V _{SS} = 0 V	[1] 1.65	1.8	1.95	V
			3.0	3.3	3.6	V
I _{BAT}	battery supply current	in Hard Power Down state; V _{BAT} = 3.6 V; T = 25 °C	[3] -	10.5	16	µA
		in Standby state; V _{BAT} = 3.6 V				
		enhanced RF detector	-	32	52	µA
		low sensitivity RF detector	-	21	36	µA
		in low-power polling loop; V _{BAT} = 3.6 V; T = 25 °C; loop time = 500 ms	-	100	-	µA
		continuous total current consumption in PCD mode at V _{BAT} = 3.6 V	[4] -	-	290	mA
I _{th(Ilim)}	current limit threshold	current limiter on transmitter	[4] 270	300	330	mA
P _{tot}	total power dissipation	PCD mode at typical V _{DD(TX)} = 5.25 V, V _{DD(UP)} = 5.8 V and V _{BAT} = 3.6 V; includes power from V _{BAT} and V _{DD(UP)}	-	-	620	mW
T _{amb}	ambient operating temperature	JEDEC PCB-0.5	-30	-	+85	°C

[1] V_{SS} represents V_{SS(PAD)} and V_{SS(TX)}.
 [2] When V_{DD(UP)} is below 2.8 V the TXLDO can be in follower mode (see Section 11.4.3), there will be no more V_{DD(UP)} noise rejection. Any noise below 848 kbit/s will affect the performance.
 [3] External clock on NFC_CLK_XTAL1 must be LOW.
 [4] This is considering an antenna tuned to sink maximum 250 mA continuous current from the transmitter. The antenna shall be tuned to never exceed this 250 mA maximum current.

6 Firmware versions

6.1 Firmware version and model ID retrieval

It is possible to identify a dedicated installed firmware version.

In addition, the product versions PN7160 and PN7161 can be differentiated thanks to the model ID.

- model ID value 0x61 indicates PN7160
- model ID value 0x71 indicates PN7161

The 9th byte of the CORE_RESET_NTF indicates the model ID. The 10th, 11th, and 12th bytes of the CORE_RESET_NTF indicate the installed FW version.

Example:

The model ID is retrieved from the CORE_RESET_NTF following CORE_RESET_CMD/RSP sequence (first NCI exchanges when initializing PN7160/PN7161).

In the following NCI exchange sequence:

```
>> 20 00 01 00 // CORE_RESET_CMD
<< 40 00 01 00 // CORE_RESET_RSP
<< 60 00 09 02 00 20 04 04 71 12 50 05 // CORE_RESET_NTF
```

The 9th byte of the CORE_RESET_NTF indicates the model ID (0x71 in the example above == PN7161).

The 10th, 11th, and 12th bytes of the CORE_RESET_NTF indicate the FW version (0x12, 0x50, 0x05 point to FW version 12.50.05).

6.2 Version 12.50.0E

Changes in this version:

- Fixed stability issues during handling of RF_DEACTIVATE_CMD (to IDLE) and RF_DEACTIVATE_RSP.

6.3 Version 12.50.0D

Changes in this version:

- Added support for custom cards with specific SAK value. API added is: 0xA0 0x6E.

6.4 Version 12.50.0C

Changes in this version:

- Added support for dynamic ECP configuration.

6.5 Version 12.50.0B

Changes in this version:

- Optimized the flash contents, removed not required features for longer serviceability of PN7160:
 - Type-F card mode support removed.
 - Support for P2P not claimed.

6.6 Version 12.50.0A

Changes in this version:

- T4T Card emulation (NFCEE_NDEF) update. (Now allowing NDEF WRITE from RF side, working with TagWriter application on Android).

6.7 Version 12.50.09

Changes in this version:

- NDEF write from NFC supported, when the device is in Autonomous NDEF mode.
- ECP supported in EMVCo profile (PN7161 only).
- Optimized card removal procedure when ECP is enabled (PN7161 only).
- Added PRBS support for ISO/IEC 15693.
- This version is not available on hardware, only as a firmware update file.

6.8 Version 12.50.08

Changes in this version:

- Resolved an issue in which the IC is hung with RF ON when a Type B card is placed during the discovery process when ECP is enabled for NFC Forum profile.

6.9 Version 12.50.07

Changes in this version:

- ECP is supported in EMVCo profile.

6.10 Version 12.50.06

Changes in this version:

- Changes to support NFC Forum CR12.
- Added helper command to configure the Dynamic Power Control (DPC).
- This version is not available on hardware, only as a firmware update file.

6.11 Version 12.50.05

Initial version

Production samples will have 12.50.05 firmware.

7 Ordering information

Table 2. Ordering information

Type number	Package		
	Name	Description	Version
PN7160xyzz/C100 ^[1] ^[2] ^[3]	VFBGA64	plastic very thin fine-pitch ball grid array package; 64 balls	SOT1860-1
	HVQFN40	plastic thermal enhanced very thin quad flat package; no leads; 40 terminals	SOT618-1
PN7161xyzz/C100 ^[1] ^[2] ^[3]	VFBGA64	plastic very thin fine-pitch ball grid array package; 64 balls	SOT1860-1
	HVQFN40	plastic thermal enhanced very thin quad flat package; no leads; 40 terminals	SOT618-1

[1] x: A = I²C-bus interface; B = SPI-bus interface.

[2] y: correspond to firmware variant.

[3] zz: correspond to package variant. HN = HVQFN40 package; EV = VFBGA64 package.

PN7160 is available in different configurations:

Table 3. Product variants PN7160

Part number	Control interface / firmware version	Package	Packing	MOQ	Marking	12NC
PN7160A1EV/C100	I ² C / 12.50.05	VFBGA64	Reel	4500	71601	9354 166 64518
PN7160A1EV/C100	I ² C / 12.50.05	VFBGA64	5-Tray	2450	71601	9354 166 64557
PN7160A1HN/C100	I ² C / 12.50.05	HVQFN40	Reel	4000	71601	9354 166 65518
PN7160A1HN/C100	I ² C / 12.50.05	HVQFN40	1-Tray	490	71601	9354 166 65551
PN7160B1EV/C100	SPI / 12.50.05	VFBGA64	Reel	4500	71602	9354 237 43518
PN7160B1EV/C100	SPI / 12.50.05	VFBGA64	5-Tray	2450	71602	9354 237 43557
PN7160B1HN/C100	SPI / 12.50.05	HVQFN40	Reel	4000	71602	9354 237 44518
PN7160B1HN/C100	SPI / 12.50.05	HVQFN40	1-Tray	490	71602	9354 237 44551

Table 4. Product variants PN7161

Part number	Control interface/firmware version	Package	Packing	MOQ	Marking	12NC
PN7161A1EV/C100	I ² C / 12.50.05	VFBGA64	Reel	4500	71611	9354 237 58518
PN7161A1EV/C100	I ² C / 12.50.05	VFBGA64	5-Tray	2450	71611	9354 237 58557
PN7161A1HN/C100	I ² C / 12.50.05	HVQFN40	Reel	4000	71611	9354 237 59518
PN7161A1HN/C100	I ² C / 12.50.05	HVQFN40	1-Tray	490	71611	9354 237 59551
PN7161B1EV/C100	SPI / 12.50.05	VFBGA64	Reel	4500	71612	9354 237 61518
PN7161B1EV/C100	SPI / 12.50.05	VFBGA64	5-Tray	2450	71612	9354 237 61557
PN7161B1HN/C100	SPI / 12.50.05	HVQFN40	Reel	4000	71612	9354 237 62518
PN7161B1HN/C100	SPI / 12.50.05	HVQFN40	1-Tray	490	71612	9354 237 62551

8 Marking

8.1 Marking VFBGA64

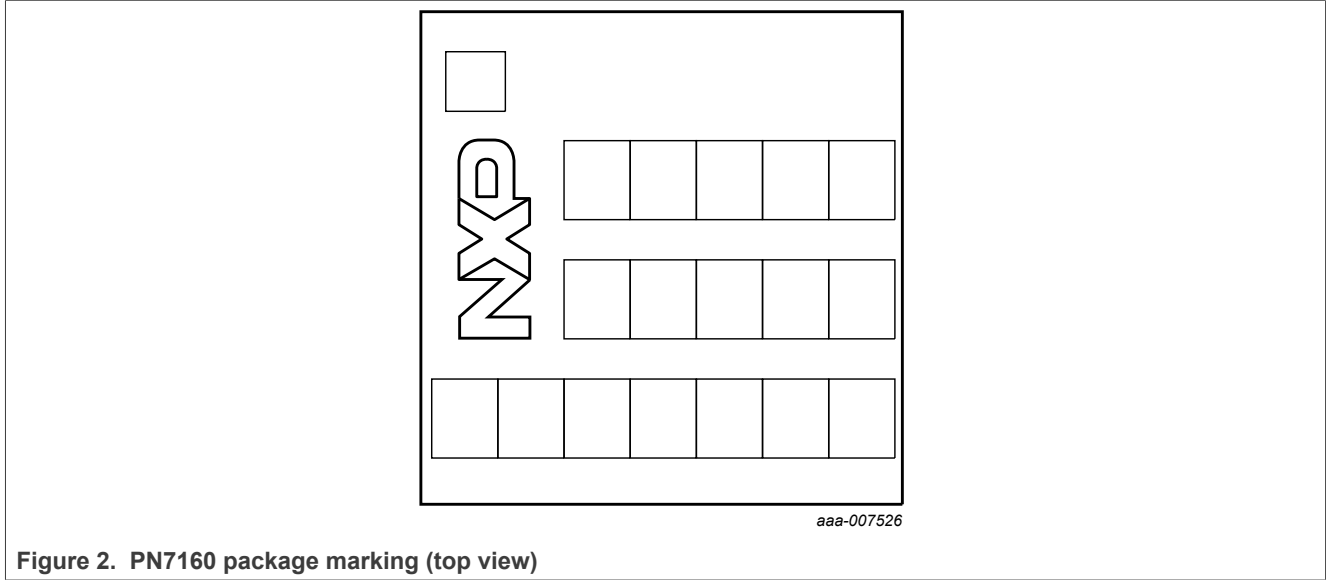


Figure 2. PN7160 package marking (top view)

Table 5. Marking code

Line number	Marking code
Line 1	product version identification
Line 2	diffusion batch sequence number + assembly lot ID
Line 3	manufacturing code including: <ul style="list-style-type: none"> • diffusion center code: <ul style="list-style-type: none"> – S: Power chip (PTCT) • assembly center code: <ul style="list-style-type: none"> – S: ATKH • RoHS compliancy indicator: <ul style="list-style-type: none"> – D: Dark Green; fully compliant RoHS and no halogen and antimony • manufacturing year and week, 3 digits: <ul style="list-style-type: none"> – Y: year – WW: week code • product life cycle status code: <ul style="list-style-type: none"> – X: means not qualified product – nothing means released product

8.2 Marking HVQFN40

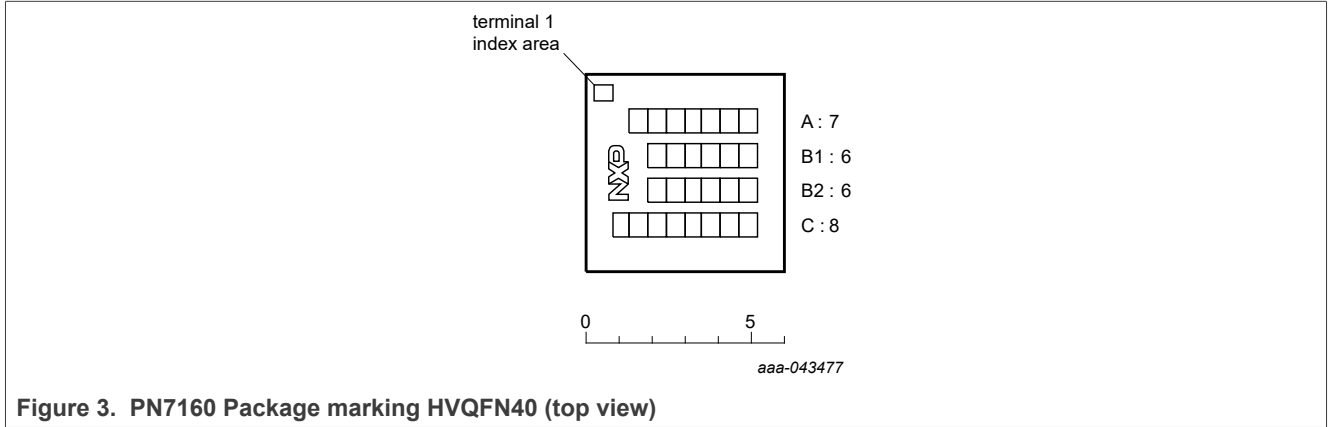


Table 6. Marking codes

Type number	Marking code
Line A	7 characters used: product version identification
Line B1 + Line B2	Diffusion Bath ID (9 digits) + space + assembly ID number (2 digits)
Line C	8 characters used: manufacturing code including: <ul style="list-style-type: none"> • diffusion center code: <ul style="list-style-type: none"> – S: Power chip (PTCT) • assembly center code: <ul style="list-style-type: none"> – S: ATKH • RoHS compliancy indicator: <ul style="list-style-type: none"> – D: Dark Green; fully compliant RoHS and no halogen and antimony • manufacturing year and week, 3 digits: <ul style="list-style-type: none"> – YY: year – WW: week code • product life cycle status code: <ul style="list-style-type: none"> – X: means not qualified product – nothing means released product

9 Block diagram

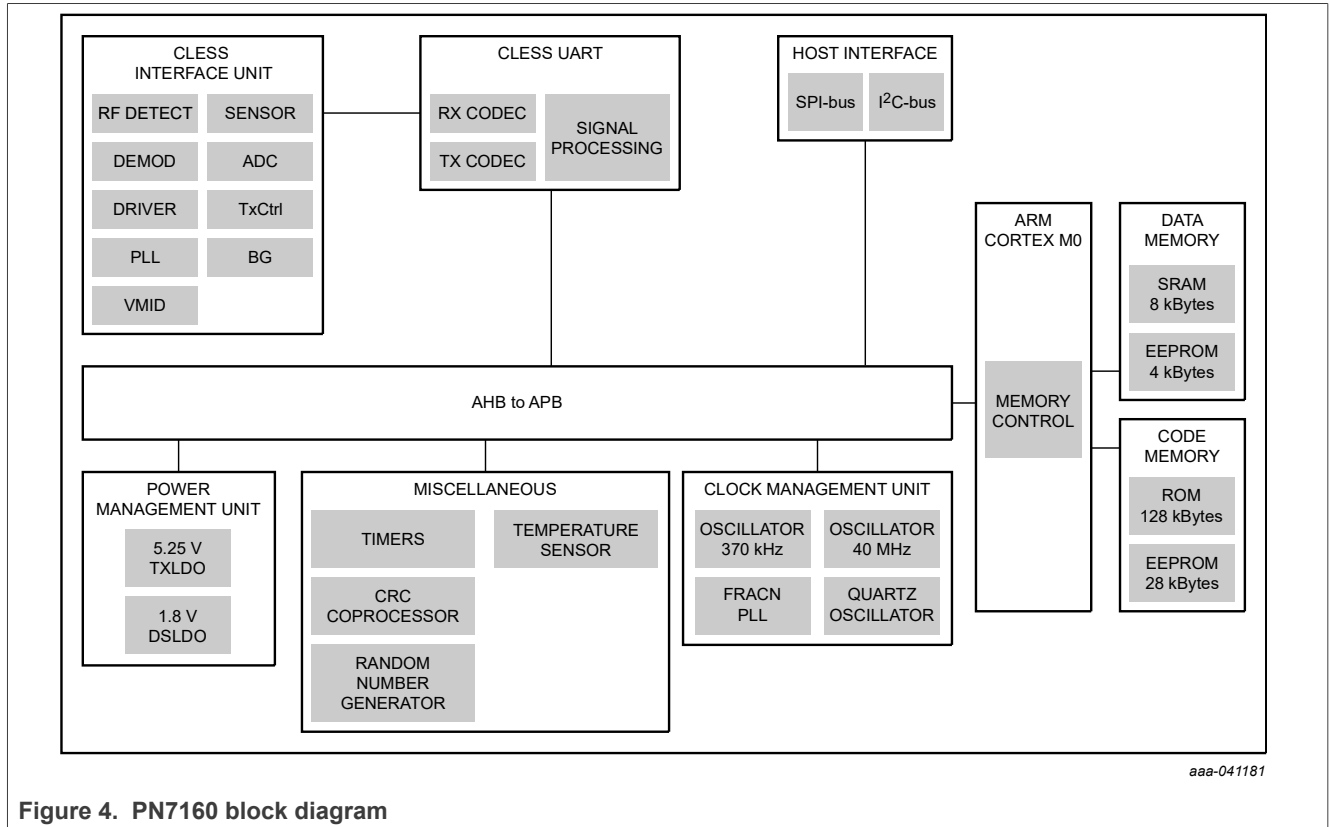


Figure 4. PN7160 block diagram

10 Pinning information

10.1 Pinning

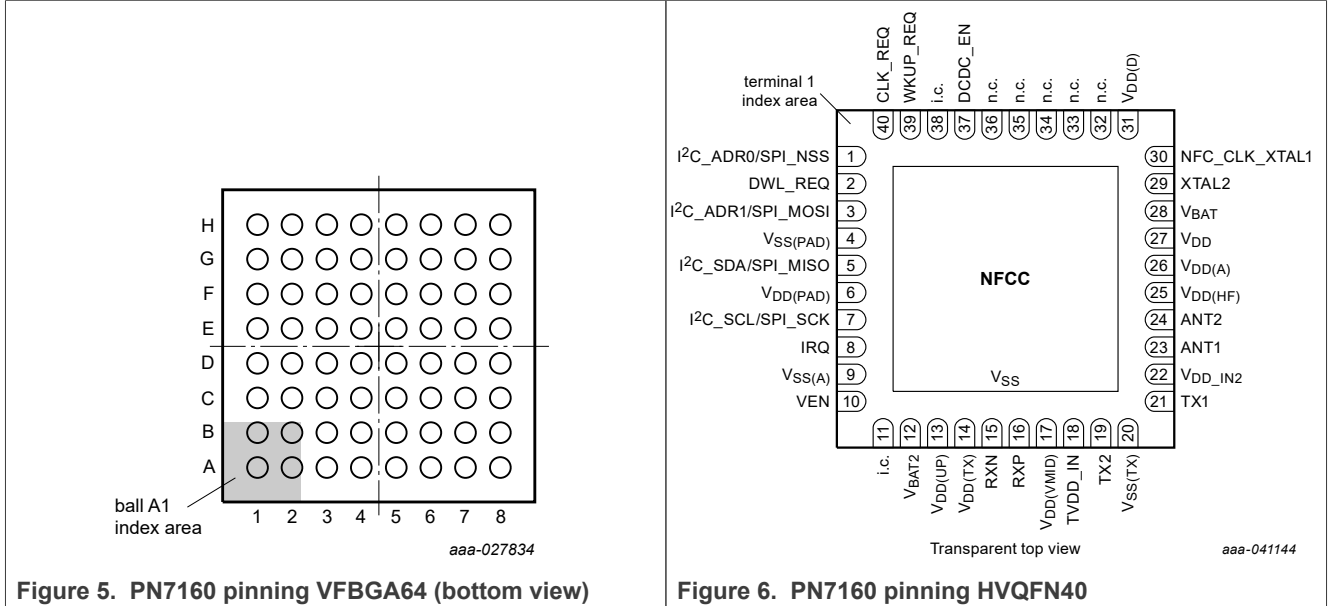


Table 7. PN7160 pin description

Symbol	Pin HVQFN40	Pin VFBGA64	Type ^[1]	Refer	Description
I ² C_ADR0/SPI_NSS	1	C3	I/O	V _{DD(PAD)}	Host interface pin 1
DWL_REQ	2	D3	I	V _{DD(PAD)}	Firmware download control pin
I ² C_ADR1/SPI_MOSI	3	D1	I/O	V _{DD(PAD)}	Host interface pin 2
V _{SS(PAD)}	4	C1	G	n/a	Pad ground. Must be connected to ground.
I ² C_SDA/SPI_MISO	5	E1	I/O	V _{DD(PAD)}	Host interface pin 3
V _{DD(PAD)}	6	D2	P	n/a	Pad supply voltage
I ² C_SCL/SPI_SCK	7	E2	I/O	V _{DD(PAD)}	Host interface pin 4
IRQ	8	E3	O	V _{DD(PAD)}	Interrupt request output
V _{SS(A)}	9	G3	G	n/a	Analog ground supply voltage
VEN	10	H1	I	V _{BAT}	Reset pin. Set the device in Hard Power Down.
i.c.	11	-	-	-	Internally Connected. To be left open.
V _{BAT2}	12	-	P	n/a	Battery supply voltage. Must be connected to V _{BAT} . VFBGA package: internally connected.
V _{DD(UP)}	13	H3	P	n/a	TXLDO input supply voltage
V _{DD(TX)}	14	G7	P	n/a	Transmitter supply voltage

Table 7. PN7160 pin description...continued

Symbol	Pin HVQFN40	Pin VFBGA64	Type ^[1]	Refer	Description
RXN	15	H6	I	V _{DD(A)}	Negative receiver input
RXP	16	H5	I	V _{DD(A)}	Positive receiver input
V _{DD(VMID)}	17	H4	P	n/a	Receiver reference input supply voltage
TVDD_IN	18	-	P	n/a	Must be connected to V _{DD(TX)} and TVDD_IN2. VFBGA package: internally connected.
TX2	19	H7	O	V _{DD(TX)}	Antenna driver output
V _{SS(TX)}	20	H8	G	n/a	Contactless transmitter ground. Must be connected to ground.
TX1	21	G8	O	V _{DD(TX)}	Antenna driver output
TVDD_IN2	22	-	P		Must be connected to V _{DD(TX)} and TVDD_IN. VFBGA package: internally connected.
ANT1	23	F7	P	n/a	Antenna connection for wake-up
ANT2	24	E7	P	n/a	Antenna connection for wake-up
V _{DD(HF)}	25	D6	P	n/a	Monitor rectifier output voltage
V _{DD(A)}	26	D7	P	n/a	Analog supply voltage. Connect to V _{DD(D)} .
V _{DD}	27	-			Must be connected to AVDD and DVDD. VFBGA package: internally connected.
V _{BAT}	28	E8	P	n/a	Battery supply voltage. Must be connected to V _{BAT2} .
XTAL2	29	D8	O	V _{DD(D)}	Oscillator output
NFC_CLK_XTAL1	30	C8	I	V _{DD(D)}	PLL input
V _{DD(D)}	31	C7	P	n/a	Digital supply voltage for decoupling. Must be connected to V _{DD} and V _{DD(A)} .
n.c.	32	-			
n.c.	33	-			
n.c.	34	-			
n.c.	35	-			
n.c.	36	-			
DCDC_EN	37	A2	O	V _{DD(PAD)}	External DC-DC enable request on V _{DD(PAD)}
i.c.	38	B2			To be left open.
WKUP_REQ	39	A1	I	V _{DD(PAD)}	Wake-up request when in standby
CLK_REQ	40	B1	O	V _{DD(PAD)}	Clock request pin
V _{SS}	Center Pad	-	G	n/a	Pad ground. Must be connected to ground.
i.c.	-	A3			To be left open.

Table 7. PN7160 pin description...continued

Symbol	Pin HVQFN40	Pin VFBGA64	Type ^[1]	Refer	Description
i.c.	-	A4			Must be connected to ground.
i.c.	-	A5			To be left open.
i.c.	-	A6			To be left open.
i.c.	-	A7			Must be connected to ground.
i.c.	-	A8			To be left open.
i.c.	-	B3			To be left open.
n.c.	-	B4			To be left open.
n.c.	-	B5			To be left open.
i.c.	-	B6			To be left open.
i.c.	-	B7			To be left open.
i.c.	-	B8			To be left open.
i.c.	-	C2			To be left open.
n.c.	-	C4			To be left open.
n.c.	-	C5			To be left open.
V _{SS(D)}	-	C6	G	n/a	Digital ground supply voltage. Must be connected to ground.
n.c.	-	D4			To be left open.
n.c.	-	D5			To be left open.
n.c.	-	E4			To be left open.
n.c.	-	E5			To be left open.
n.c.	-	E6			To be left open.
i.c.	-	F1			To be left open.
i.c.	-	F2			To be left open.
i.c.	-	F3			To be left open.
n.c.	-	F4			To be left open.
n.c.	-	F5			To be left open.
n.c.	-	F6			To be left open.
TX_PWR_REQ	-	F8	O	V _{DD(D)}	External TX power supply request on V _{DD(D)}
i.c.	-	G1			Must be connected to ground.
i.c.	-	G2			To be left open.
n.c.	-	G4			To be left open.
V _{SS(A)}	-	G5	G	n/a	Analog ground supply voltage
V _{SS(A)}	-	G6	G	n/a	Analog ground supply voltage
i.c.	-	H2			To be left open.

[1] P = power supply; G = ground; I = input; O = output; I/O = input/output

11 Functional description

PN7160 can be connected on a host controller through different physical interfaces (I²C-bus and SPI-bus). The logical interface towards the host controller is NCI-compliant Ref. [2] with additional command set for NXP-specific product features. This IC is fully user controllable by the firmware interface described in Ref. [6].

Moreover, PN7160 provides flexible and integrated power management unit in order to preserve energy supporting Power Off mode.

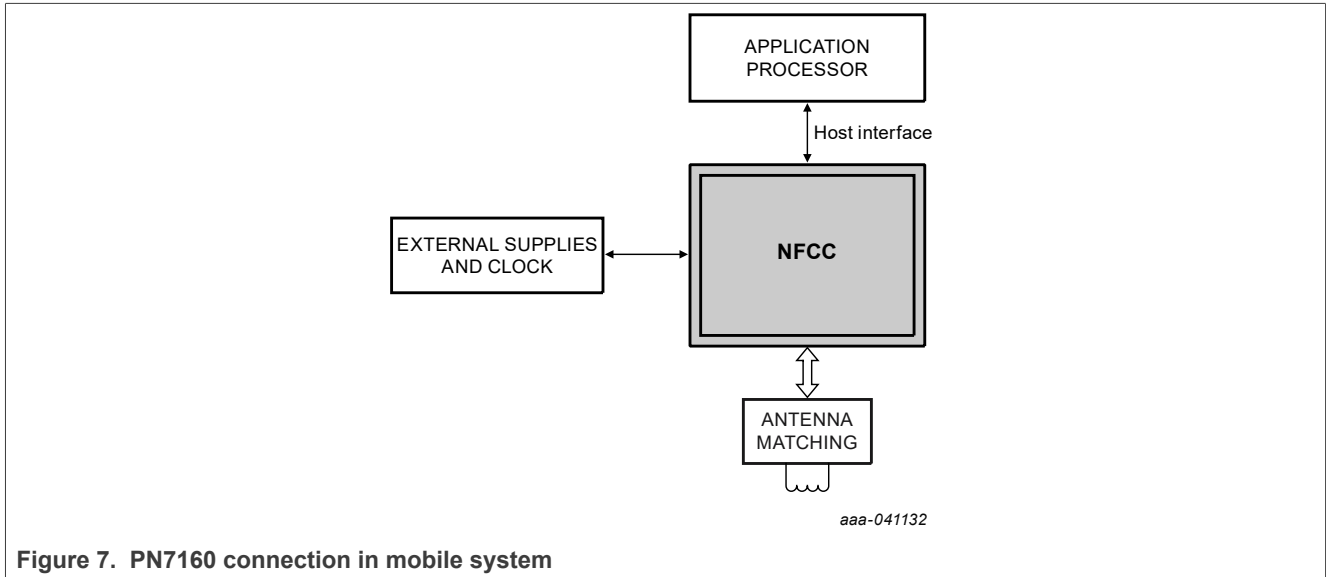


Figure 7. PN7160 connection in mobile system

11.1 System modes

11.1.1 System power modes

4 power modes are specified: Full power mode, Autonomous mode, Low-power mode and Power Off mode.

Table 8. System power modes description

System power mode	Description
Full power mode	The battery supply (V_{BAT}) as well as the pad supply ($V_{DD(PAD)}$) are available
Autonomous mode	The battery supply (V_{BAT}) as well as the pad supply ($V_{DD(PAD)}$) are available. Via a SW command the host sets the NFC controller in autonomous mode (AutoMode bit is set). In that power mode, the NFC controller will not send any command or signal over $V_{DD(PAD)}$ connected pins. In case of reset via VEN pin the AutoMode bit value is kept unchanged. This mode is useful to present an NDEF message in Card Emulation mode although the main system is shut down.
Low-power mode	The battery supply (V_{BAT}) is available but the pad supply ($V_{DD(PAD)}$) is not available. No host communication is available.
Power Off mode	The system is not supplied from any source or the system is kept Hard Power Down (HPD)

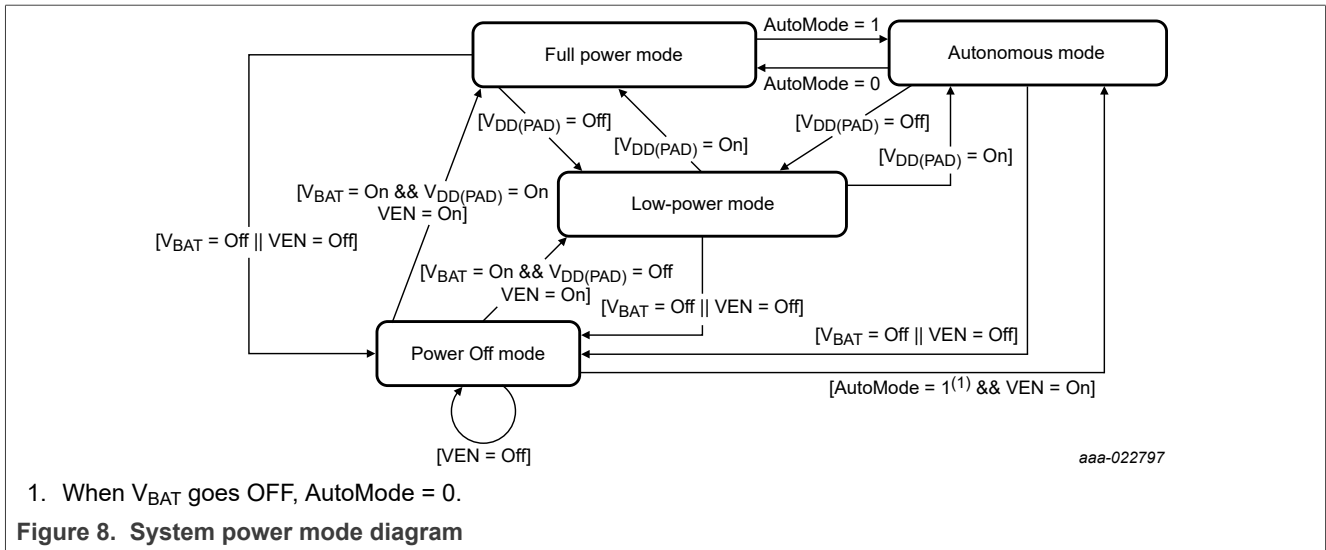


Table 9 summarizes the system power mode of the PN7160 depending on the status of the external supplies available in the system:

Table 9. System power modes configuration

V _{BAT}	V _{DD(PAD)}	VEN	AutoMode bit	Power mode
Off	X	X	X	Power Off mode
On	X	Off	X	Power Off mode
On	On	On	0	Full power mode
On	On	On	1	Autonomous mode
On	Off	On	X	Low-power mode

Depending on power modes, some application states are limited:

Table 10. System power modes description

System power mode	Allowed communication modes
Power Off mode	not applicable
Low-power mode Autonomous mode	Card Emulation only
Full power mode	Reader/Writer, Card Emulation, P2P modes

11.1.2 PN7160 power states

Next to system power modes defined by the status of the power supplies, the power states include the logical status of the system. Thus extend the power modes.

3 power states are specified: Hard Power Down (HPD), Standby, Active.

Table 11. PN7160 power states

Power state name	Description
Hard Power Down	The PN7160 is supplied by V _{BAT} within its operating range and PN7160 is kept in Hard Power Down (VEN voltage is kept low by host or SW programming) to have the minimum power consumption. The system mode is in Power Off.

Table 11. PN7160 power states...continued

Power state name	Description
Standby	The PN7160 is supplied by V_{BAT} within its operating range, VEN voltage is high (by host or SW programming) and minimum part of PN7160 is kept supplied to enable configured wake-up sources which allow to switch to Active state; RF field, Host interface (if $V_{DD(PAD)}$ is high). The system mode is Low-power mode or Full power mode.
Active	The PN7160 is supplied by V_{BAT} within its operating range, VEN voltage is high (by host or SW programming), $V_{DD(PAD)}$ is high and the PN7160 internal blocks are supplied. 3 sub-modes are defined: Idle, Listener and Poller. The system mode is Full power mode.

At application level, the PN7160 will continuously switch between different states to optimize the current consumption (polling loop mode). Refer to [Table 1](#) for targeted current consumption in here described states.

The PN7160 is designed to allow the host controller to have full control over its functional states.

11.1.2.1 Hard Power Down (HPD) state

The Hard Power Down state is entered when $V_{DD(PAD)}$ and V_{BAT} are high by setting VEN voltage < 0.4 V. As these signals are under host control, the PN7160 has no influence on entering or exiting this state.

11.1.2.2 Standby state

Active state is PN7160's default state after boot sequence in order to allow a quick configuration of PN7160. It is recommended to change the default state to Standby state after first boot in order to save power. PN7160 can switch to Standby state autonomously (if configured by host). This state is independent of the $V_{DD(PAD)}$ value.

In this state, PN7160 most blocks including CPU are disconnected from power supply. Number of wake-up sources exist to put PN7160 into Active state (all host-related wake-up events imply that $V_{DD(PAD)}$ is available):

- Host interface wake-up event (I²C-bus, SPI-bus)
- Host interface wake-up via WKUP_REQ pin
- Antenna RF level detector
- Internal timer event when using polling loop (370 kHz Low-power oscillator is enabled)

If wake-up event occurs, PN7160 will switch to Active state. Any further operation depends on software configuration and/or wake-up source.

11.1.2.3 Active state

Within the Active state, the system is acting as an NFC device. The device can be in 3 different power states: Idle, Listener and Poller.

Table 12. Functional modes in active state

Functional modes	Description
Idle	the PN7160 is active and host interface communication is on going. The RF interface is not activated. If Standby state is de-activated PN7160 stays in Idle mode even when no host communication.
Listener	the PN7160 is active and is listening to external device. The RF interface is activated.
Poller	the PN7160 is active and is in Poller mode. It polls external device. The RF interface is activated.

Poller mode

In this mode, PN7160 is acting as Reader/Writer or NFC Initiator, searching for or communicating with passive tags or NFC target. Once RF communication has ended, PN7160 will switch to Idle mode or Standby state to save energy. Poller mode shall be used with $2.8\text{ V} < V_{BAT} < 5.5\text{ V}$ and VEN voltage $> 1.1\text{ V}$. Poller mode shall not be used with $V_{BAT} < 2.8\text{ V}$. $V_{DD(PAD)}$ is within its operational range (see [Table 1](#)).

Listener mode

In this mode, PN7160 is acting as a card or as an NFC Target. Listener mode shall be used with $2.8\text{ V} < V_{BAT} < 5.5\text{ V}$ and VEN voltage $> 1.1\text{ V}$. Once RF communication has ended, PN7160 will switch to Idle mode or Standby state to save energy.

11.1.2.4 Polling loop

The polling loop will sequentially set PN7160 in different power states (Active or Standby). All RF technologies supported by PN7160 can be independently enabled within this polling loop.

There are 2 main phases in the polling loop:

- Listening phase. The PN7160 can be in Standby power state or Idle mode (called pause in [Figure 9](#); no communication is on-going) or Listener mode (called Emulation in [Figure 9](#); card / target communication is started)
- Polling phase. The PN7160 is in Poller mode

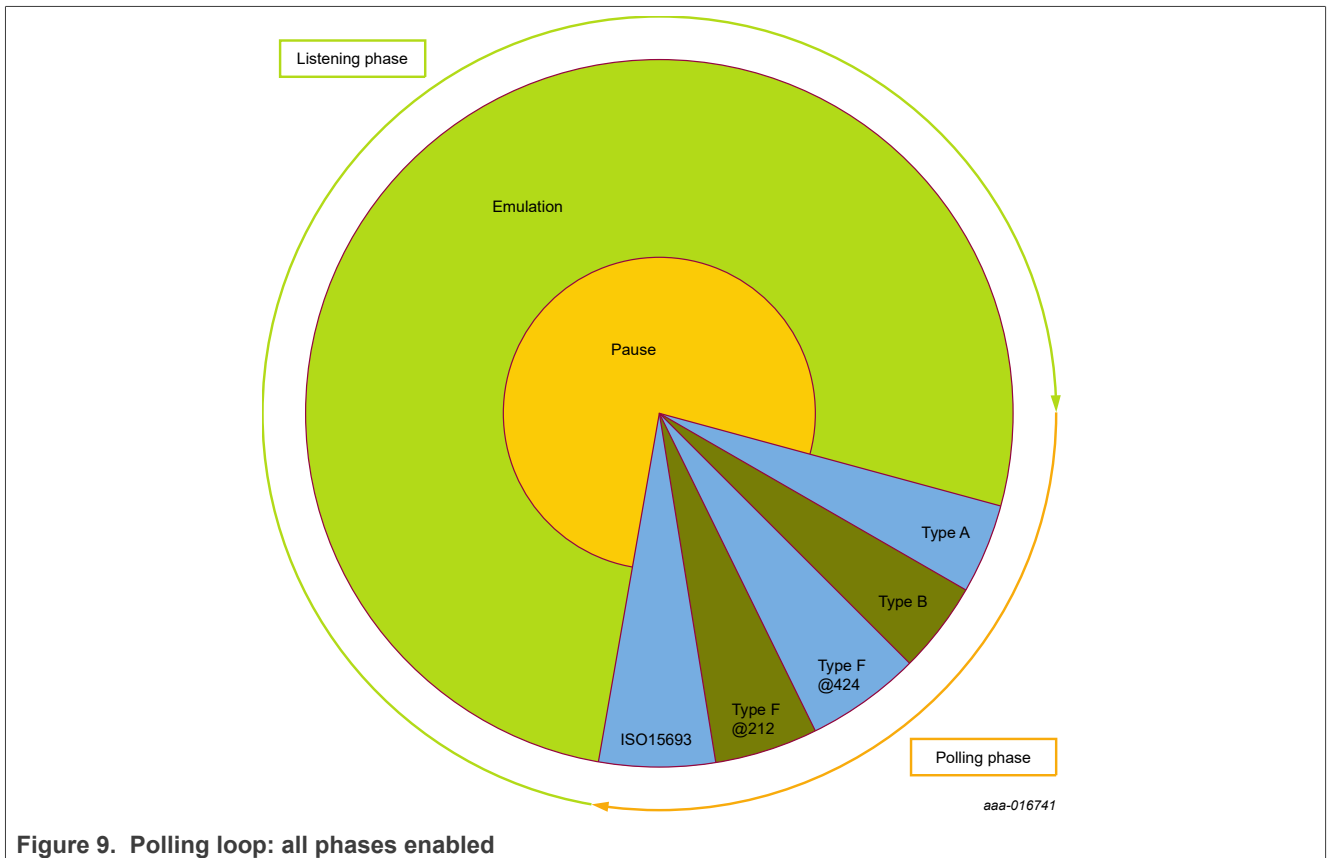


Figure 9. Polling loop: all phases enabled

In Listening phase when no RF field PN7160 is in Standby state if enabled (otherwise it is Idle mode) and is in Listener mode (Emulation) when RF field is detected. When in Polling phase, PN7160 goes to Poller mode.

To further decrease the power consumption when running the polling loop, PN7160 features a low-power RF polling. When PN7160 is in Polling phase instead of sending regularly RF command PN7160 senses with a short RF field duration if there is any NFC Target or card/tag present. If yes, then it goes back to standard polling loop. With 500 ms (configurable duration, see Ref. [6]) listening phase duration, the average power consumption is around 100 µA depending on RF matching conditions.

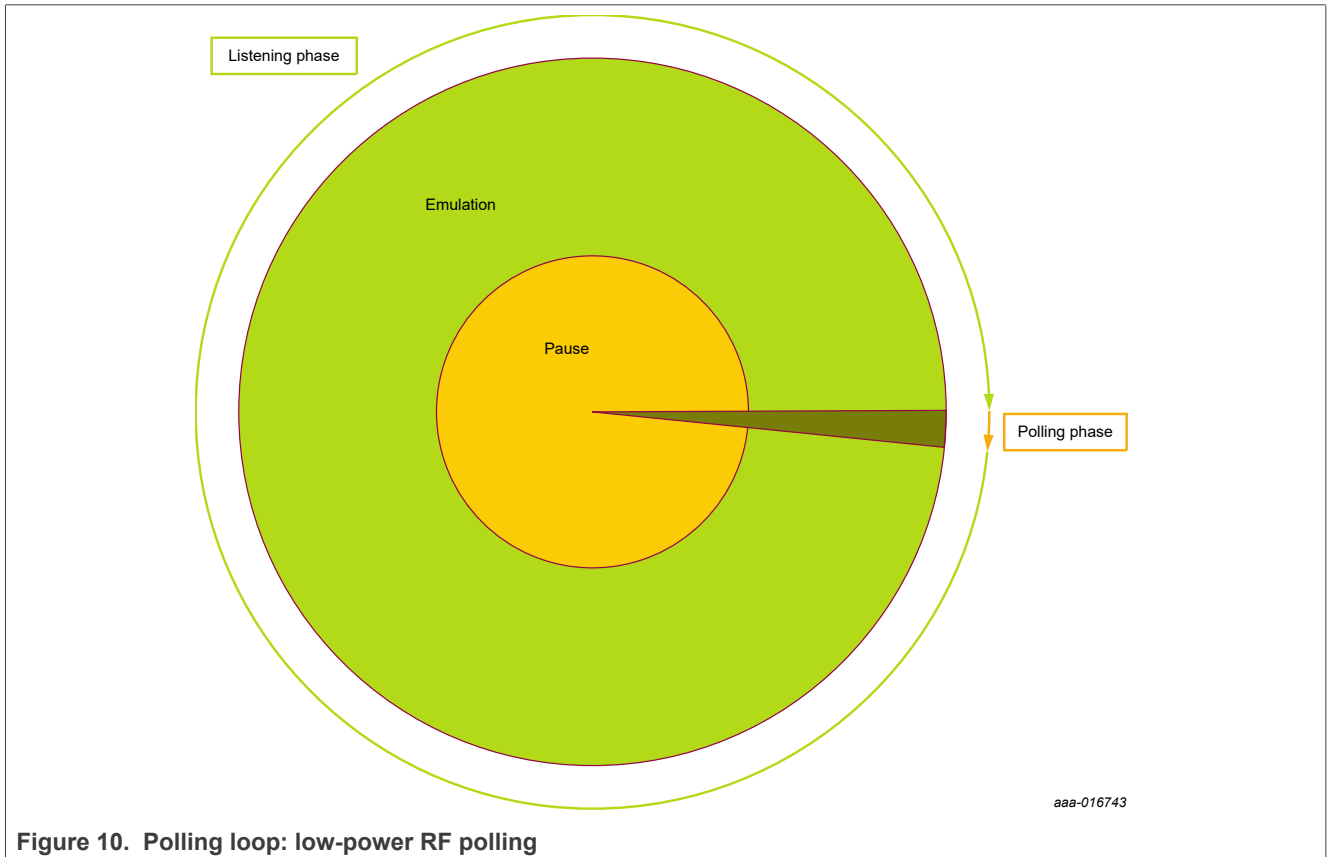


Figure 10. Polling loop: low-power RF polling

Detailed description of polling loop configuration options is given in Ref. [6].

11.2 Host interfaces ²

PN7160 provides the support of the following host interfaces:

- I²C-bus Target Interface, up to 3.4 MBaud
- SPI-bus Target Interface, up to 7 MBaud

Only one host interface can be active at a time, as the pins are shared for all interfaces.

The selection between interfaces is fused during IC manufacturing so that different ordering numbers for the I²C-bus and SPI-bus version are in place.

The host interfaces are woken-up in the following way:

- wake-up with WKUP_REQ input pin
- I²C-bus: wake-up on I²C-bus address
- SPI-bus: transition of NSS serial
- data received on RX line

² Updated the terms "Master/Slave" to "Controller/Target" to align with the recommendation of the NXP - I2C standards organization.

To enable and ensure data flow control between PN7160 and host controller, additionally a dedicated interrupt line IRQ is provided which Active state is programmable. See Ref. [6] for more information.

11.2.1 I²C-bus interface²

The I²C-bus interface implements a target I²C-bus interface with integrated shift register, shift timing generation and target address recognition.

I²C-bus Standard mode (100 kHz SCL), Fast mode (400 kHz SCL) and High-speed mode (3.4 MHz SCL) are supported.

The main hardware characteristics of the I²C-bus module are:

- Support target I²C-bus
- Standard, Fast and High-speed modes supported
- Wake-up of PN7160 on its address only
- Serial clock synchronization can be used by PN7160 as a handshake mechanism to suspend and resume serial transfer (clock stretching)

The I²C-bus interface module meets the I²C-bus specification Ref. [4] except General call, 10 bit addressing and Fast mode Plus (Fm+).

11.2.1.1 I²C-bus configuration

The I²C-bus interface shares four pins with SPI-bus interface also supported by PN7160. When I²C-bus is configured in EEPROM settings, functionality of the interface pins changes as described in [Table 13](#).

Table 13. Functionality for I²C-bus interface

Pin name	Functionality
HIF1	I ² C-bus address 0
HIF2	I ² C-bus address 1
HIF3 ^[1]	I ² C-bus data line
HIF4 ^[1]	I ² C-bus clock line

[1] HIF3 and HIF4 are not fail-safe and V_{DD(pad)} shall always be available when using the SCL and SDA lines connected to these pins.

PN7160 supports 7-bit addressing mode. Selection of the I²C-bus address is done by 2-pin configurations on top of a fixed binary header: 0, 1, 0, 1, 0, HIF2, HIF1, R/W.

Table 14. I²C-bus interface addressing

HIF2	HIF1	I ² C-bus address (R/W = 0, write)	I ² C-bus address (R/W = 1, read)
0	0	0x50	0x51
0	1	0x52	0x53
1	0	0x54	0x55
1	1	0x56	0x57

11.2.2 Serial Peripheral Interface bus (SPI-bus)²

11.2.2.1 Features

- Synchronous, Serial, Full-Duplex communication, 7 MHz maximum
- Target mode

11.2.2.2 SPI-bus configuration options²

In order to select SPI-bus interface for host communication, some EEPROM settings are programmed during production.

The CPOL/CPHA EEPROM settings are fixed as specified in [Table 15](#).

The selection between interfaces is fused during IC manufacturing so that different ordering numbers for the SPI-bus version.

Table 15. SPI-bus configuration

Connection
CPHA switch: Clock PHAse: defines the sampling edge of MOSI data <ul style="list-style-type: none"> • CPHA = 0: data are sampled on MOSI on the odd clock edges of SCK after NSS goes low
CPOL switch: Clock POLarity <ul style="list-style-type: none"> • IFSEL1 = 0: the clock is idle low and the first valid edge of SCK will be a rising one

The SPI-bus interface shares 4 pins with the I²C-bus interface. During production of the device, the interface is fixed to SPI or I²C and cannot be changed later. The functionality of the interface pins in SPI configuration is described in [Table 16](#).

Table 16. Functionality for SPI-bus interface

Pin name	Functionality
HIF1	NSS (Not Target Select)
HIF2	MOSI (Controller Out Target In)
HIF3	MISO (Controller In Target Out)
HIF4	SCK (Serial Clock)

11.2.2.3 SPI-bus functional description²

When a controller device transmits data to PN7160 (target device) via the MOSI line, PN7160 responds by sending data to the controller device via the controllers MISO line. This implies full-duplex transmission with both data out and data in synchronized with the same clock signal.

PN7160 starts sampling when receiving a logic low at pin NSS and the clock at input pin SCK. Thus, PN7160 is synchronized with the controller. Data from the controller is received serially at the target MOSI line and loads the 8-bit shift register. After the 8-bit shift register is loaded, its data is transferred to the read buffer. During a write cycle, data is written into the shift register, then PN7160 waits for a clock train from the controller to shift the data out on the targets MISO line.

- Controller In Target Out (MISO)

The MISO line is configured as an input in a controller device and as an output in a target device. It is used to transfer data from the target to the controller, with the most significant bit sent first. The MISO line of a target device should be placed in the high impedance state if the target is not selected.

- Controller Out Target In (MOSI)
The MOSI line is configured as an output in a controller device and as an input in a target device. It is used to transfer data from the controller to a target, with the Most Significant Bit (MSB) sent first.
- Serial Clock (SCK)
The serial clock is used to synchronize data movement both in and out of the device through its MOSI and MISO lines. The controller and target devices are capable of exchanging a byte of information during a sequence of eight clock cycles. Since the controller device generates SCK, this line becomes an input on a target device and an output at the controller device.
- Not Target Select (NSS)
The target select input line is used to select a target device. It has to be low prior to data transactions and must stay low of the duration of the transaction. The NSS line on controller side must be tied high.

Both controller and target devices must operate with the same timing. The controller device always places data on the MOSI line a half cycle before the clock edge SCK, in order for the target device to latch the data.

For more information about the SPI-bus functionality, see Ref. [5].

11.3 PN7160 clock concept

There are 4 different clock sources in PN7160:

- 27.12 MHz clock coming either/or from:
 - Internal oscillator for 27.12 MHz crystal connection on NFC_CLK_XTAL1 and XTAL2 pins
 - External reference clock on pin NFC_CLK_XTAL1. It is internally forwarded to an integrated PLL which includes a 1 GHz VCO.
- 13.56 MHz RF clock recovered from RF field
- Low-power oscillator 40 MHz
- Low-power oscillator 370 kHz

11.3.1 27.12 MHz quartz oscillator

When enabled, the 27.12 MHz quartz oscillator applied to PN7160 is the time reference for the RF front end when PN7160 is behaving in Reader mode or NFCIP-1 Initiator.

Therefore stability of the clock frequency is an important factor for reliable operation. It is recommended to adopt the circuit shown in [Figure 11](#).

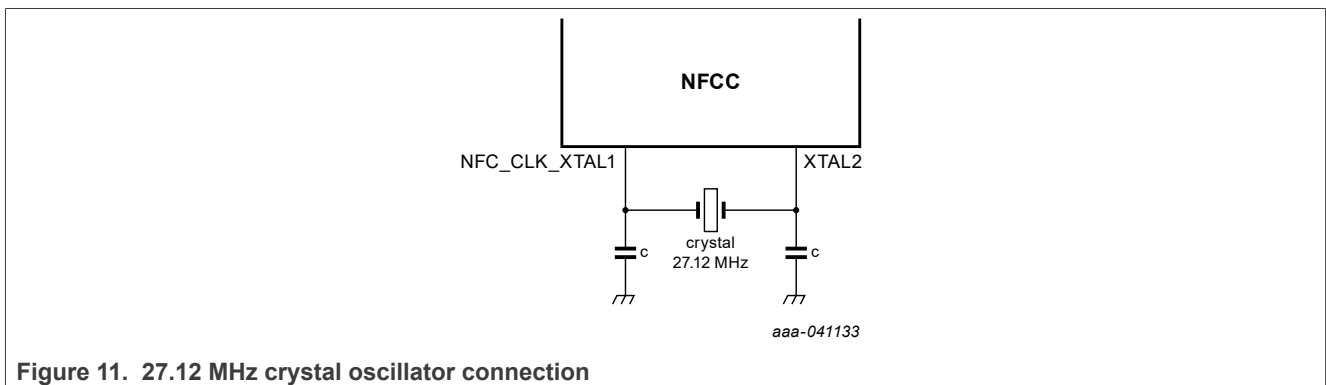


Figure 11. 27.12 MHz crystal oscillator connection

[Table 17](#) describes the levels of accuracy and stability required on the crystal.

Table 17. Crystal requirements

Symbol	Parameter	Conditions	Min	Typ	Max	Unit
f_{xtal}	crystal frequency	ISO/IEC, FCC and FeliCa global compliancy	-	27.12	-	MHz
Δf_{xtal}	crystal frequency accuracy	full operating range	[1] -50	-	+50	ppm
ESR	equivalent series resistance		-	50	100	Ω
C_L	load capacitance		-	10	-	pF
P_{xtal}	crystal power dissipation		-	-	100	μW

[1] This requirement is according to FCC regulations (± 100 ppm) and FeliCa global (± 50 ppm) requirements. To meet only ISO/IEC 14443 and ISO/IEC 18092, then ± 14 kHz apply which is equivalent to ± 516 ppm.

11.3.2 Integrated PLL to make use of external clock

When enabled, the PLL is designed to generate a low noise 27.12 MHz from an input clock 19.2 MHz, 26 MHz, 32 MHz, 38.4 MHz and 48 MHz.

The 27.12 MHz of the PLL is used as the time reference for the RF front end.

The input clock on NFC_CLK_XTAL1 shall comply with the following phase noise requirements for the following input frequency: 19.2 MHz, 26 MHz, 32 MHz, 38.4 MHz and 48 MHz:

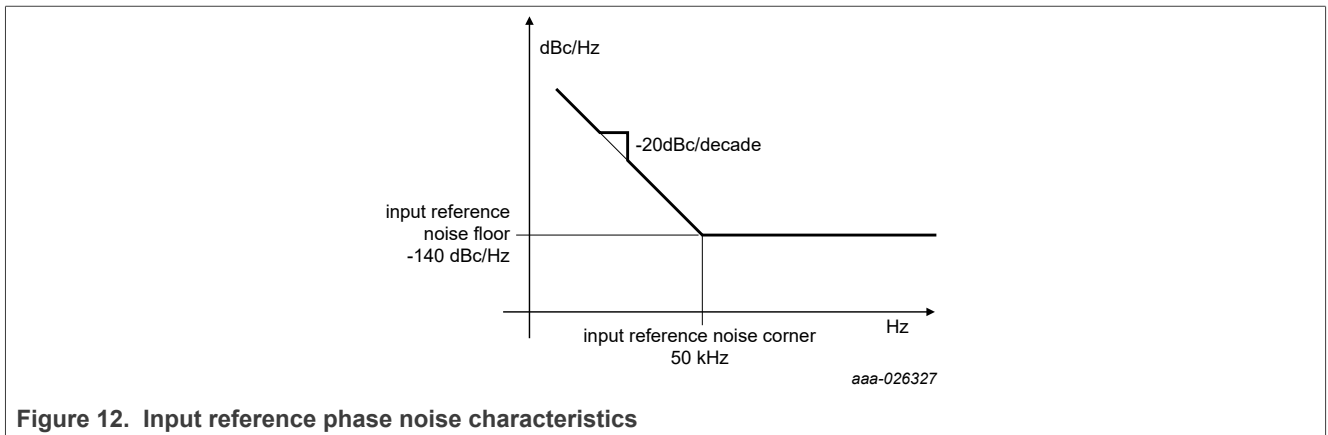


Figure 12. Input reference phase noise characteristics

This phase noise is equivalent to an RMS jitter of 6.23 ps from 10 Hz to 1 MHz. For configuration of input frequency, refer to Ref. [10]. There are 7 pre programmed and validated frequencies for the PLL: 19.2 MHz, 26 MHz, 32 MHz, 38.4 MHz and 48 MHz.

Table 18. PLL input requirements

Coupling: single-ended, AC coupling;

Symbol	Parameter	Conditions	Min	Typ	Max	Unit
f_{clk}	clock frequency	ISO/IEC, FCC and FeliCa global compliancy	-	19.2	-	MHz
			-	26	-	MHz
			-	32	-	MHz
			-	38.4	-	MHz
			-	48	-	MHz

Table 18. PLL input requirements...continued

Coupling: single-ended, AC coupling;

Symbol	Parameter	Conditions	Min	Typ	Max	Unit
$f_{i(\text{ref})\text{acc}}$	reference input frequency accuracy	full operating range; frequencies typical values: 19.2 MHz, 26 MHz, 32 MHz, 38.4 MHz and 48 MHz	[1] -20	-	+20	ppm
φ_n	phase noise	input noise floor at 50 kHz	-140	-	-	dB/Hz
Sinusoidal shape						
$V_{i(\text{p-p})}$	peak-to-peak input voltage		0.2	-	1.8	V
$V_{i(\text{clk})}$	clock input voltage		0	-	1.8	V
Square shape						
$V_{i(\text{clk})}$	clock input voltage		[2] 0	-	1.8	V

[1] This requirement is according to FCC regulations (± 100 ppm) and FeliCa global (± 50 ppm) requirements. To meet only ISO/IEC 14443 and ISO/IEC 18092, then ± 7 kHz apply which is equivalent to ± 516 ppm.

[2] Overshoot and undershoot shall not exceed 10%.

For detailed description of clock request mechanisms, refer to Ref. [6] and Ref. [7].

11.3.3 Low-power 40 MHz ± 2.5 % oscillator

Low-power 40 MHz ± 2.5 % oscillator is used as system clock of the system.

Output clock 40 MHz is used by default to clock the system.

11.3.4 Low-power 370 kHz oscillator

A Low Frequency Oscillator (LFO) is implemented to drive a counter (WUC) waking-up PN7160 from Standby state. This allows implementation of low-power reader polling loop at application level.

Moreover, this 370 kHz is used as the reference clock for write access to EEPROM memory.

11.4 Power concept

11.4.1 PMU functional description

The Power Management Unit of PN7160 generates internal supplies required by PN7160 out of V_{BAT} and $V_{\text{DD(UP)}}$ input supply voltages:

- V_{DDA} : analog output supply voltage. It must be connected to V_{DDD} .
- V_{DDD} : digital input supply voltage. It is internally connected to the output of the DSLDO V_{DD} .
- $V_{\text{DD(TX)}}$: output supply voltage for the transmitter. It is internally connected to the transmitter input supply voltage

The [Figure 13](#) describes the main blocks available in PMU:

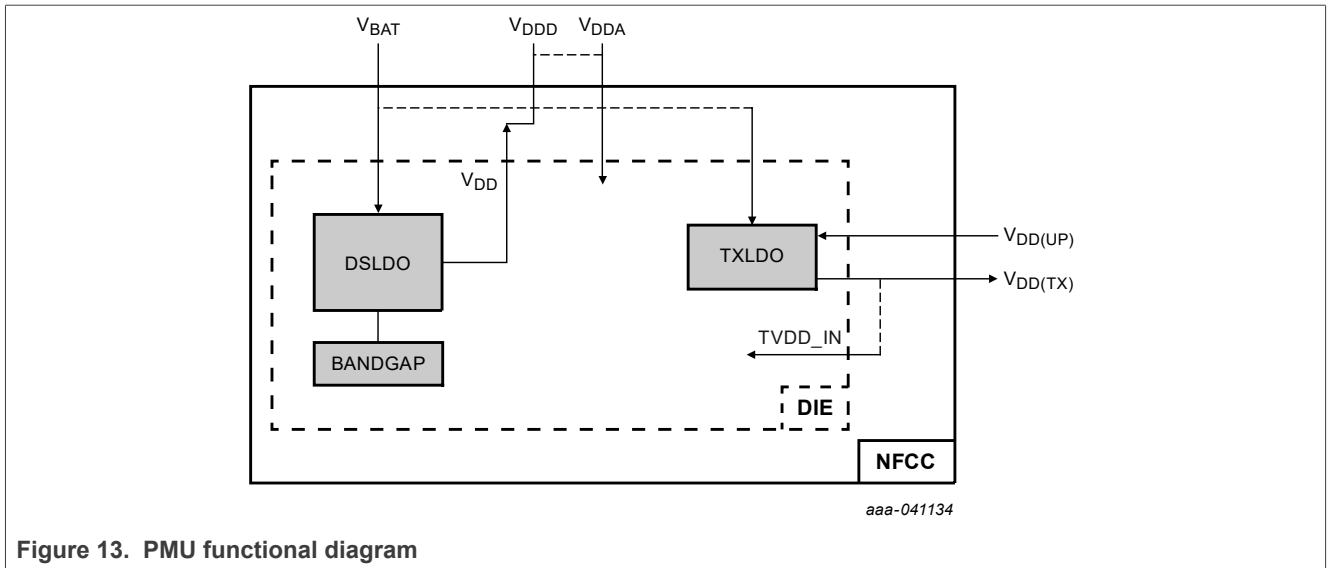


Figure 13. PMU functional diagram

11.4.2 DSLDO: Dual Supply LDO

The input pin of the DSLDO regulator is V_{BAT} .

The output of this regulator (V_{DD}) is internally connected to supply the internal digital blocks which are on V_{DDD} . It must be externally de-coupled and V_{DDD} must be connected to V_{DDA} .

11.4.3 TXLDO

Transmitter voltage is generated by internal LDO ($V_{DD(TX)}$).

This TXLDO allows a maximum continuous current load up to 250 mA in order to support ISO/IEC 14443 and NFC Forum standard compliant operations.

The Low Drop Out regulator has been designed to reject the noise which could interfere with the RF communication.

Table 19. TXLDO

Symbol	Parameter	Conditions	Min	Typ	Max	Unit
$V_{DD(TXLDO)}$ (drop)	drop TXLDO supply voltage	$V_{DD(UP)} = 5.3 \text{ V}$; Transmitter current = 250 mA	-	-	0.3	V

The regulator has been designed to work in 2 modes:

11.4.3.1 Configuration 1: the battery voltage is directly used to generate the RF field

The input supply of the regulator is directly the V_{BAT} voltage which is connected to $V_{DD(UP)}$ the input of the TXLDO.

The output is called $V_{DD(TX)}$.

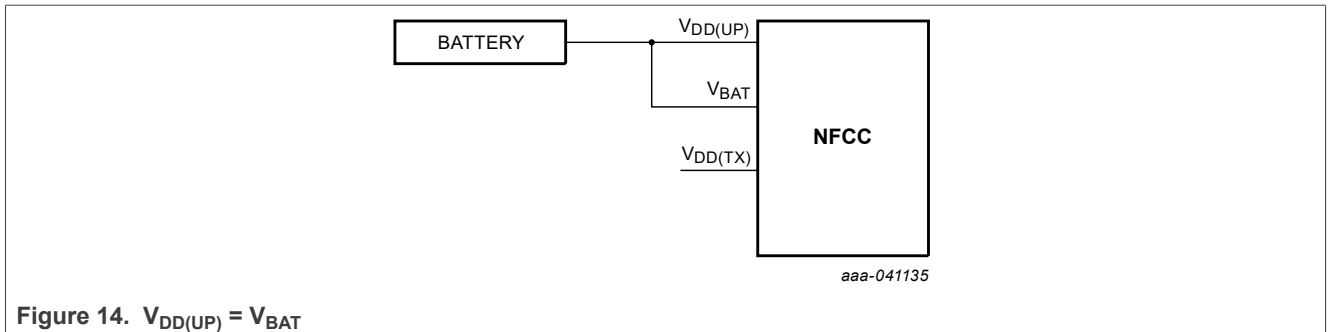


Figure 14. $V_{DD(UP)} = V_{BAT}$

V_{BAT} acceptable range depends on communication modes to be covered (see [Table 30](#))

The $V_{DD(TX)}$ value is programmable and shall be chosen according to the minimum targeted V_{BAT} value for which reader and card modes shall work: $V_{THRESHOLD}$.

The TXLDO output voltage is then given by:

$$V_{BAT} \geq V_{THRESHOLD} + V_{DD(TXLDO)(drop)} \Rightarrow V_{DD(TX)} = V_{THRESHOLD}$$

$$V_{THRESHOLD} \geq V_{BAT} - V_{DD(TXLDO)(drop)} \geq 2.8V \Rightarrow V_{DD(TX)} = V_{BAT} - V_{DD(TXLDO)(drop)}$$

[Figure 15](#) shows $V_{DD(TX)}$ offset disabled behavior for both cases of $V_{DD(TX)}$ programmed for 3.0 V, 3.3 V or 3.6 V.

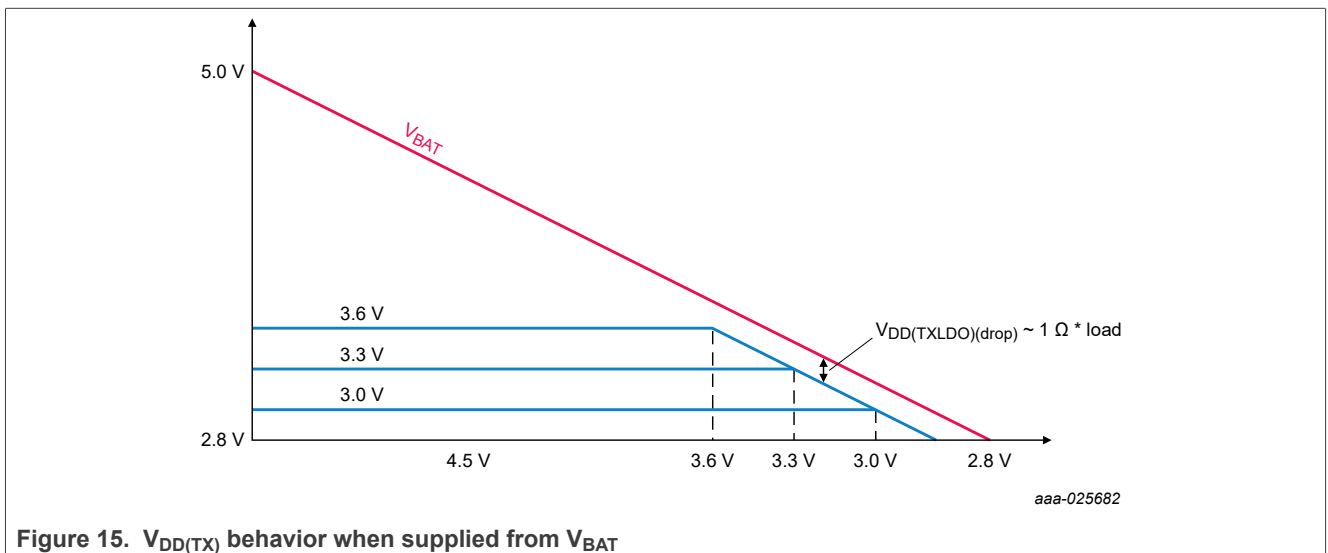


Figure 15. $V_{DD(TX)}$ behavior when supplied from V_{BAT}

In Standby state, whatever $V_{THRESHOLD}$ value is configured, $V_{DD(TX)}$ is regulated at 2.5 V.

[Figure 16](#) shows the case where the PN7160 is in standby state.

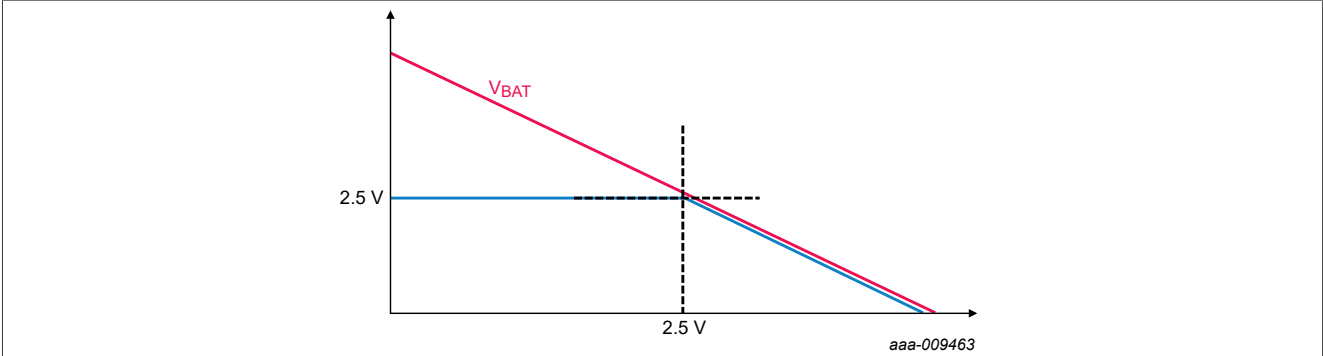


Figure 16. $V_{DD(TX)}$ behavior when PN7160 is in Standby state

11.4.3.2 Configuration 2: an extra external voltage is used to generate the RF field

TXLDO has also the possibility to generate $V_{DD(TX)}$ up to 5.25 V in case the supply of this regulator is an external supply.

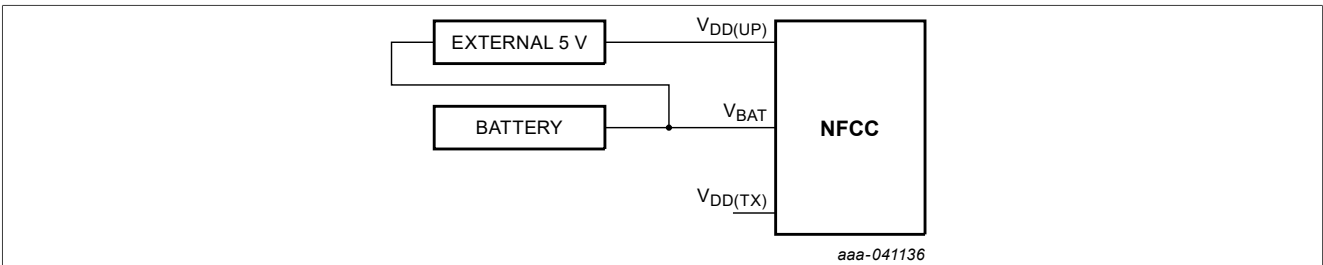


Figure 17. $V_{DD(UP)}$ up to 5.8 V, V_{BAT} up to 5.5 V

Minimum $V_{DD(UP)}$ and V_{BAT} acceptable values depend on communication modes to be covered (see [Table 30](#))
The TXLDO output voltage is then given by:

$$V_{DD(UP)} \geq V_{THRESHOLD} + V_{DD(TXLDO)(drop)} \Rightarrow V_{DD(TX)} = V_{THRESHOLD}$$

$$V_{THRESHOLD} \geq V_{DD(UP)} - V_{DD(TXLDO)(drop)} \geq 2.8V \Rightarrow V_{DD(TX)} = V_{DD(UP)} - V_{DD(TXLDO)(drop)}$$

Figure 18 shows the behavior of $V_{DD(TX)}$ depending on $V_{DD(UP)}$ value.

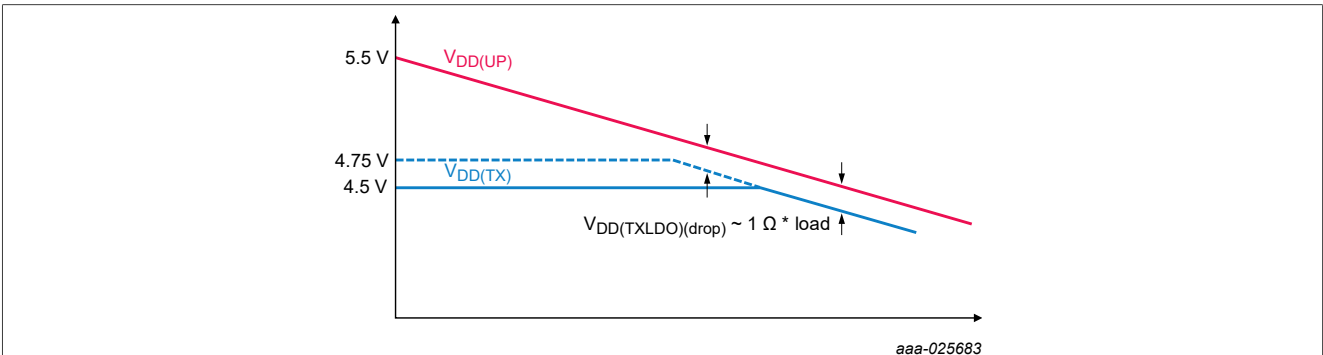


Figure 18. $V_{DD(TX)}$ behavior when PN7160 is supply using external supply on $V_{DD(UP)}$

In Standby state, whatever $V_{THRESHOLD}$ is configured, $V_{DD(TX)}$ is regulated at 2.5 V as illustrated by [Figure 16](#).

11.4.3.3 TXLDO limiter

The TXLDO includes a current limiter to avoid too high current within TX1 and TX2.

The current limiter block compares an image of the TXLDO output current to a reference, when the reference is reached the output current gets limited.

The limiting current is 300 mA ± 30 mA, above the specified maximum current allowed for RF operation (250 mA).

11.4.3.4 TXLDO: configuration

Table 20. Configurations using TXLDO

PN7160 power state	TXLDO config.	Mode	$V_{DD(TX)}$
Active mode	configuration 1	Full-power	2.7 V/3 V/3.3 V/3.6 V ^[1]
	configuration 2	Full-power	2.7 V/3 V/3.3 V/3.6 V/3.9 V/4.2 V/4.5 V/4.7 V/4.75 V/5 V/5.25 V ^[1]
Standby	configuration 1 and configuration 2	Low-power	2.5 V
Hard-Power down	configuration 1 and configuration 2	Power-off	High impedance

[1] For proper operation, the $V_{DD(TX)}$ voltage value set shall be below the $V_{DD(UP)} - 0.3$ V value. The maximum $V_{DD(UP)}$ value is 5.8 V in configuration 2. In configuration 1, the voltage is given by the battery then the higher voltages might not be usable.

When using an external DC-to-DC with pass-through functionality, the signal TX_PWR_REQ is used for control purpose. The DC-to-DC will be in pass-through mode except when high transmitter power is required (by default when RF emission or RF field present).

Note: the signal TX_PWR_REQ is not available on the HVQFN package variant.

Alternatively the signal DCDC_EN can be used for the same purpose. This signal is available on both package variants. HVQFN and VFBGA.

11.4.4 Very low-power RF field detector

A very specific use case is the RF field detection when the NFCC is in Power Off mode. In this scenario, the NFCC should detect the presence of an external magnetic field and notify the host system about its presence.

[Figure 19](#) shows the internal rectifier circuit. The circuit is built up by the input switches SW1 and SW2 which can disconnect the rectifier from the antenna by creating a short to ground. The rectifier itself is followed by a limiter.

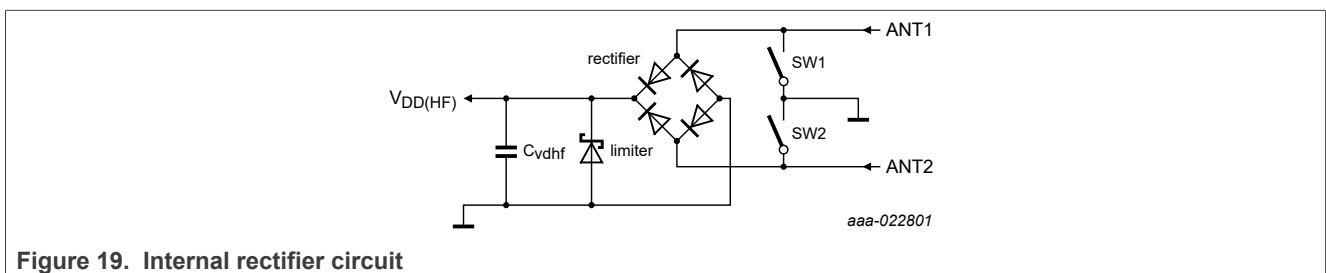


Figure 19. Internal rectifier circuit

11.5 Reset and download concept

11.5.1 Resetting PN7160

To enter reset, the V_{EN} voltage shall be set to low (this is also the Hard Power Down state):

Reset means resetting the embedded FW execution and the registers values to their default values. Parts of these default values are defined from EEPROM data loaded values, others are hardware defined. See Ref. [6] to know which ones are accessible to tune PN7160 to the application environment.

To get out of reset:

- Pulling V_{EN} voltage high with V_{BAT} within its operating range

Figure 20 shows reset done via V_{EN} pin.

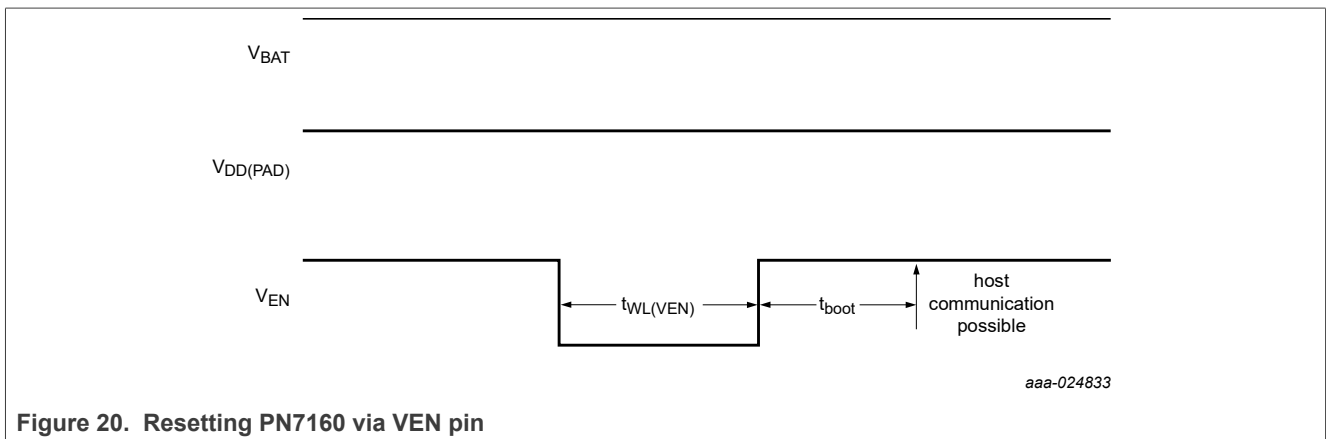


Figure 20. Resetting PN7160 via V_{EN} pin

See Section 15.2.1 for the timings values.

11.5.2 Power-up sequences

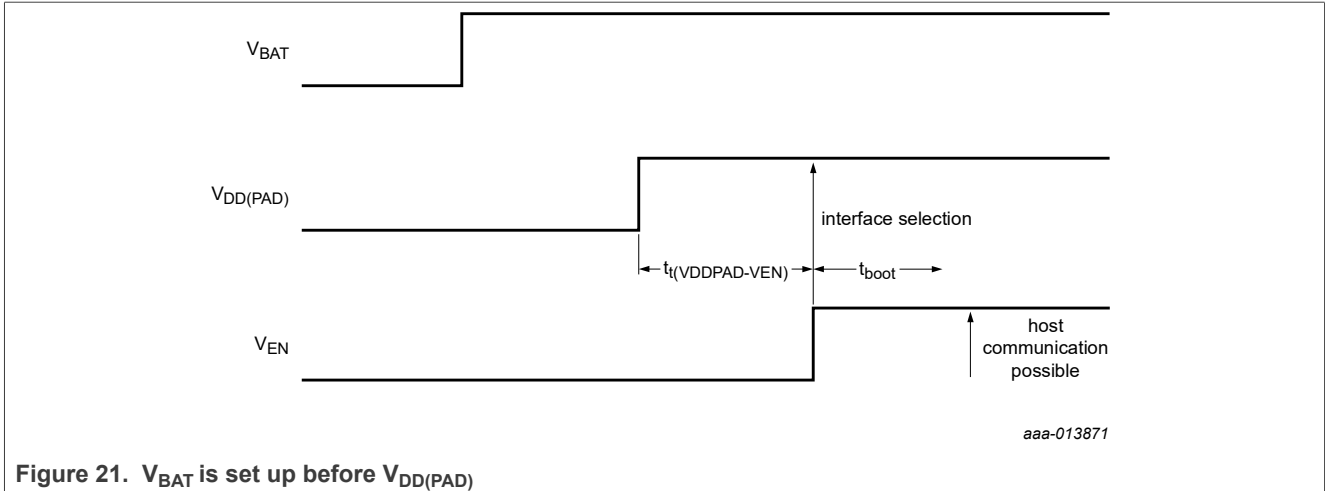
PN7160 allows V_{BAT} and $V_{DD(PAD)}$ to be set up independently, therefore different power-up sequences have to be considered.

In all cases, host communication with PN7160 will only be possible after one defined amount of time from the different supply sequence setup and V_{EN} reset pin.

11.5.2.1 V_{BAT} is set up before $V_{DD(PAD)}$

This is at least the case when V_{BAT} pin is directly connected to the battery and when PN7160 V_{BAT} is always supplied as soon the system is supplied.

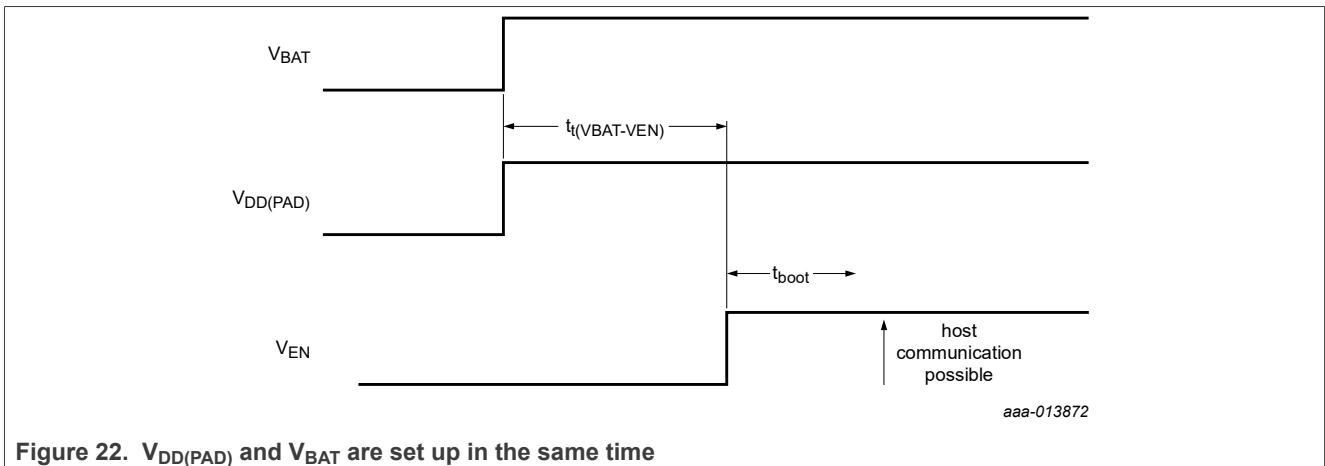
As V_{EN} pin is referred to V_{BAT} pin, V_{EN} shall go high after V_{BAT} has been set.



See [Section 15.2.1](#) and [Section 15.2.2](#) for the timings values.

11.5.2.2 $V_{DD(PAD)}$ and V_{BAT} are set up at the same time

This is the case, when V_{BAT} pin is connected to a PMU/regulator which also supply $V_{DD(PAD)}$.

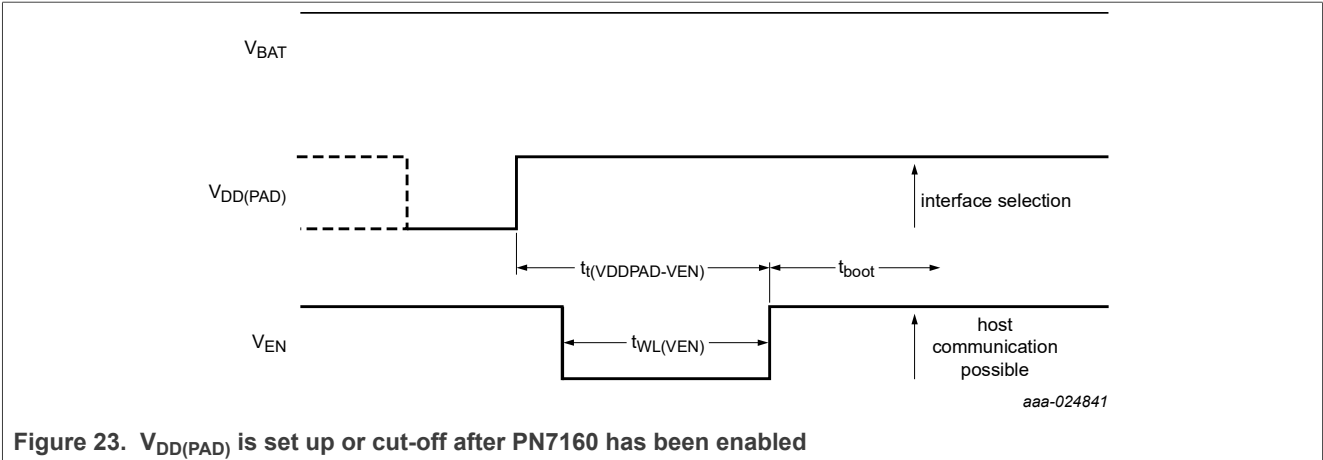


See [Section 15.2.1](#) and [Section 15.2.2](#) for the timings values.

11.5.2.3 PN7160 has been enabled before $V_{DD(PAD)}$ is set up or before $V_{DD(PAD)}$ has been cut-off

This can be the case when V_{BAT} pin is directly connected to the battery and when $V_{DD(PAD)}$ is generated from a PMU. When the battery voltage is too low, then the PMU might no more be able to generate $V_{DD(PAD)}$. When the device gets charged again, then $V_{DD(PAD)}$ is set up again.

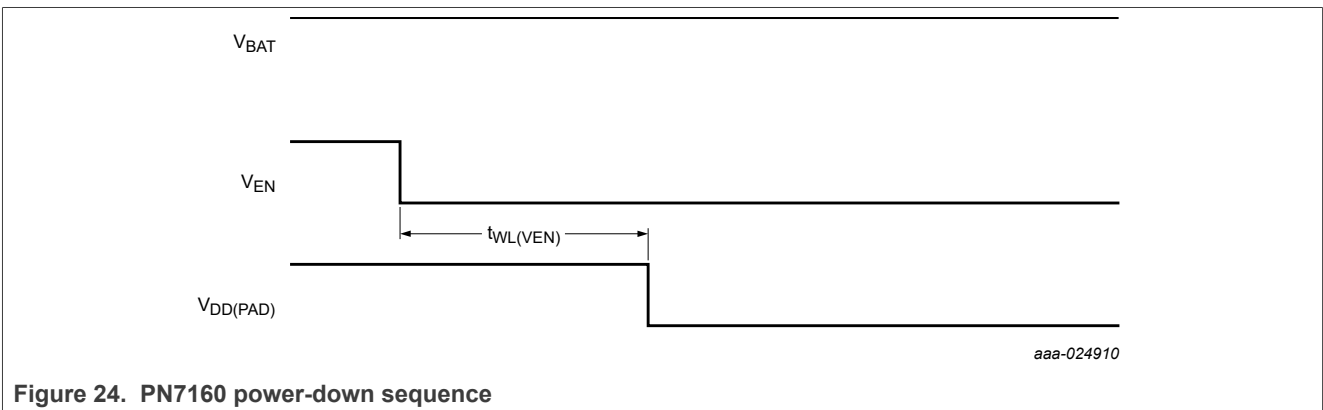
As the pins to select the interface are biased from $V_{DD(PAD)}$, when $V_{DD(PAD)}$ disappears the pins might not be correctly biased internally and the information might be lost. Therefore it is required to make the IC boot after $V_{DD(PAD)}$ is set up again.



See [Section 15.2.1](#) and [Section 15.2.2](#) for the timings values.

11.5.3 Power-down sequences

During power-down sequence, V_{EN} shall always be set low before V_{DD(PAD)} is shut down.



See [Section 15.2.1](#) for the timings values.

11.5.4 Download mode

PN7160 offers the possibility to download EEPROM with upgrades using the host interface commands, see Ref. [\[6\]](#) for more details.

To enter this mode, the pin DWL_REQ shall be pulled to V_{DD(PAD)} before reset via V_{EN} pin is done.

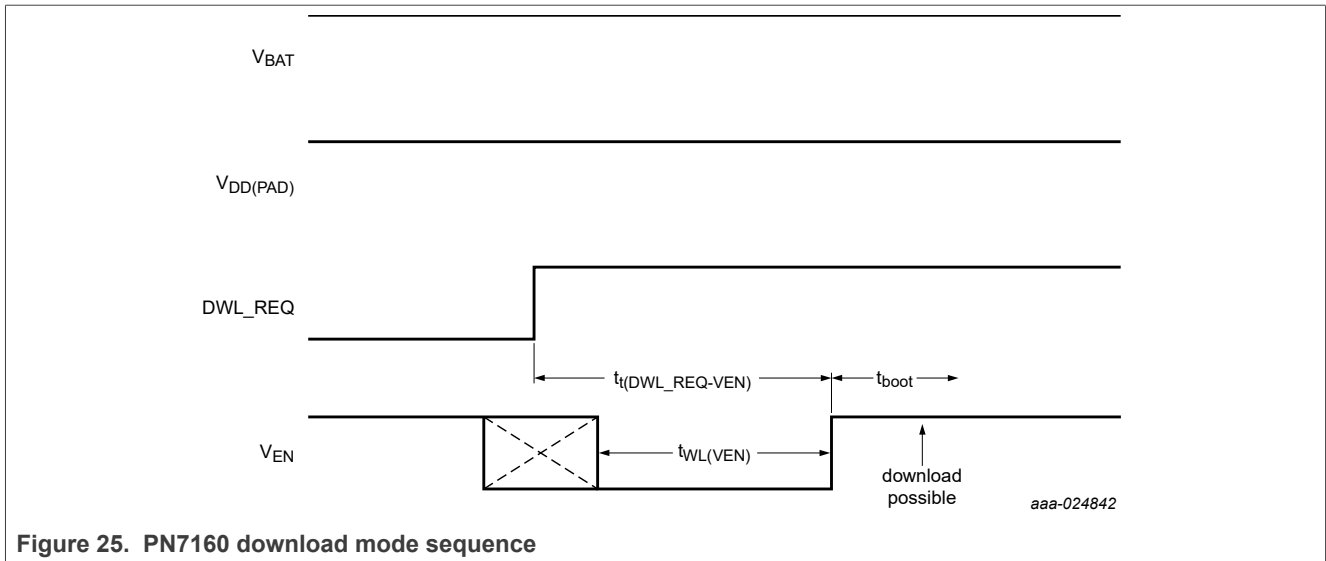


Figure 25. PN7160 download mode sequence

See [Section 15.2.1](#) and [Section 15.2.4](#) for the timings values.

11.6 Contactless Interface Unit

PN7160 supports various communication modes at different transfer speeds and modulation schemes. The following chapters give more detailed overview of selected communication modes.

Remark: all indicated modulation index and modes in this chapter are system parameters. This means that beside the IC settings a suitable antenna tuning is required to achieve the optimum performance.

11.6.1 Reader/Writer communication modes

Generally 5 Reader/Writer communication modes are supported:

- PCD Reader/Writer for ISO/IEC 14443A/MIFARE (NFC Forum Types 2 and 4 Tags)
- PCD Reader/Writer for NFC Forum Type 1 Tag
- PCD Reader/Writer for NFC Forum Type 3 Tag
- PCD Reader/Writer for ISO/IEC 14443B (NFC Forum Type 4 Tag)
- VCD Reader/Writer for NFC Forum Type 5 Tag

11.6.1.1 R/W mode for NFC Forum Type 1 and 2 Tags and Type 4 Tag type A

The R/W mode for NFC Forum Type 1 Tag (T1T), Type 2 Tag (T2T) and Type 4 Tag type A (T4T) is the general reader to card communication scheme according to the ISO/IEC 14443A specification.

[Figure 26](#) describes the communication on a physical level, the communication table describes the physical parameters (the numbers take the antenna effect on modulation depth for higher data rates).

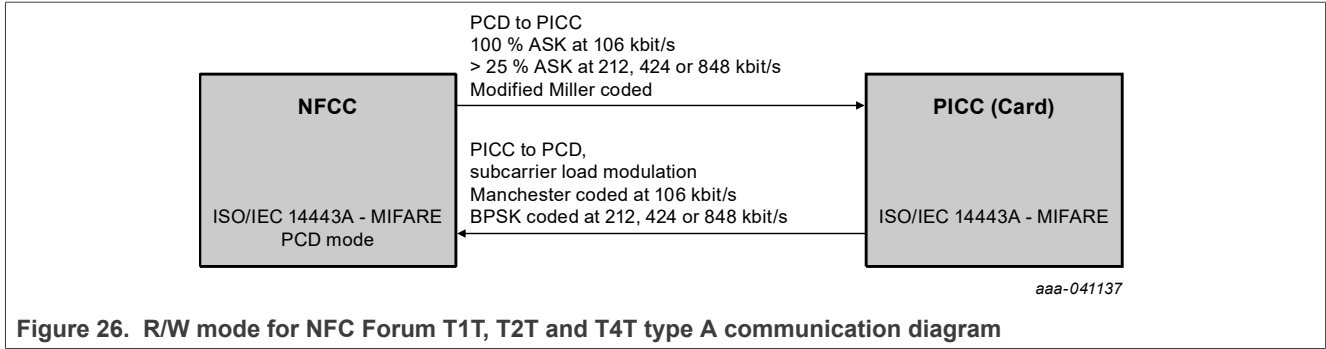


Table 21. Communication overview for NFC Forum T1T, T2T and T4T type A R/W mode

Communication direction		ISO/IEC 14443A/ MIFARE/ NFC Forum T2T and T4T		ISO/IEC 14443A higher transfer speeds		
		Transfer speed	106 kbit/s	212 kbit/s	424 kbit/s	848 kbit/s
		Bit length	(128/13.56) µs	(64/13.56) µs	(32/13.56) µs	(16/13.56) µs
PN7160 → PICC						
(data sent by PN7160 to a card)	modulation on PN7160 side	100 % ASK	> 25 % ASK	> 25 % ASK	> 25 % ASK	
	bit coding	Modified Miller	Modified Miller	Modified Miller	Modified Miller	
PICC → PN7160						
(data received by PN7160 from a card)	modulation on PICC side	subcarrier load modulation	subcarrier load modulation	subcarrier load modulation	subcarrier load modulation	
	subcarrier frequency	13.56 MHz/16	13.56 MHz/16	13.56 MHz/16	13.56 MHz/16	
	bit coding	Manchester	BPSK	BPSK	BPSK	

The contactless coprocessor and the on-chip CPU of PN7160 handle the complete ISO/IEC 14443A/MIFARE RF-protocol, nevertheless a dedicated external host has to handle the application layer communication.

11.6.1.2 R/W mode for NFC Forum Type 3 Tag, FeliCa communication mode

The R/W mode for NFC Forum Type 3 Tag (T3T) is the general Reader/Writer to card communication scheme according to the FeliCa specification. [Figure 27](#) describes the communication on a physical level, the communication overview describes the physical parameters.

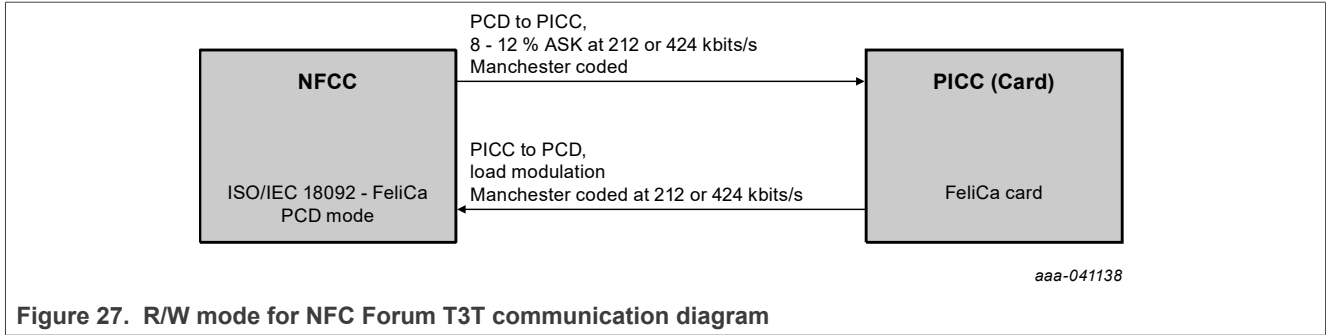


Figure 27. R/W mode for NFC Forum T3T communication diagram

Table 22. Communication overview for NFC Forum T3T R/W mode, FeliCa communication mode

Communication direction		FeliCa	FeliCa higher transfer speeds	
		Transfer speed	212 kbit/s	424 kbit/s
		Bit length	(64/13.56) μs	(32/13.56) μs
PN7160 → PICC				
(data sent by PN7160 to a card)	modulation on PN7160 side	8 % - 12 % ASK	8 % - 12 % ASK	
	bit coding	Manchester	Manchester	
PICC → PN7160				
(data received by PN7160 from a card)	modulation on PICC side	load modulation	load modulation	
	subcarrier frequency	no subcarrier	no subcarrier	
	bit coding	Manchester	Manchester	

The contactless coprocessor of PN7160 and the on-chip CPU handle the FeliCa protocol. Nevertheless a dedicated external host has to handle the application layer communication.

11.6.1.3 R/W mode for NFC Forum type 4 Tag (T4T) type B

The R/W mode for the NFC Forum Type 4 Tag of type B is the general reader to card communication scheme according to the ISO/IEC 14443B specification. Figure 28 describes the communication on a physical level, the communication table describes the physical parameters.

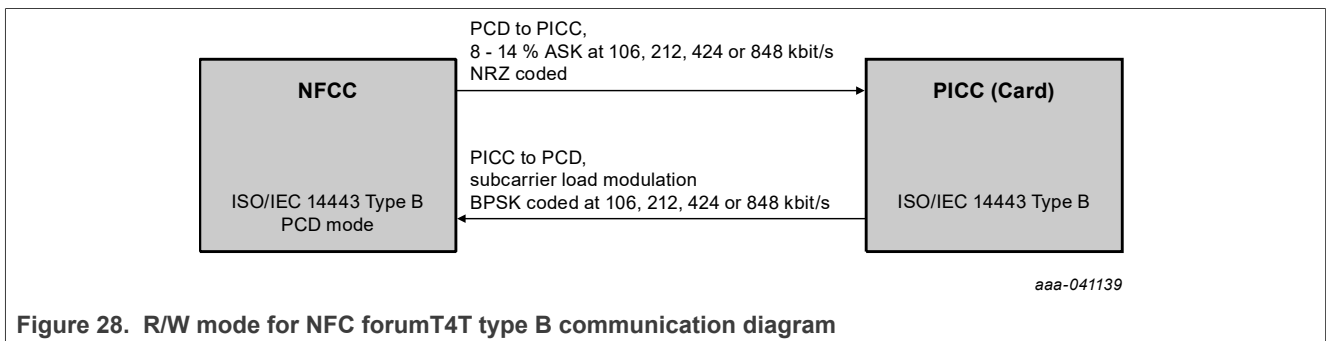


Figure 28. R/W mode for NFC forum T4T type B communication diagram

Table 23. Communication overview for NFC Forum T4T type B R/W mode

Communication direction	ISO/IEC 14443B				
	ISO/IEC 14443B higher transfer speeds				
	Transfer speed	106 kbit/s	212 kbit/s	424 kbit/s	848 kbit/s
	Bit length	(128/13.56) μs	(64/13.56) μs	(32/13.56) μs	(16/13.56) μs
PN7160 → PICC					
(data sent by PN7160 to a card)	modulation on PN7160 side	8 % - 14 % ASK	8 % - 14 % ASK	8 % - 14 % ASK	8 % - 14 % ASK
	bit coding	NRZ	NRZ	NRZ	NRZ
PICC → PN7160					
(data received by PN7160 from a card)	modulation on PICC side	subcarrier load modulation	subcarrier load modulation	subcarrier load modulation	subcarrier load modulation
	subcarrier frequency	13.56 MHz/16	13.56 MHz/16	13.56 MHz/16	13.56 MHz/16
	bit coding	BPSK	BPSK	BPSK	BPSK

The contactless coprocessor and the on-chip CPU of PN7160 handles the complete ISO/IEC 14443B RF-protocol, nevertheless a dedicated external host has to handle the application layer communication.

11.6.1.4 R/W mode for NFC Forum Type 5 Tag

The R/W mode for NFC Forum Type 5 Tag (T5T) is the general reader to card communication scheme according to the ISO/IEC 15693 specification. PN7160 communicates with VICC (Type 5 Tag) using only 26.48 kbit/s with single subcarrier.

PN7160 supports the commands as defined by the ETSI HCI (see Ref. [12]) and on top offers the inventory of the tags (anti-collision sequence) on its own.

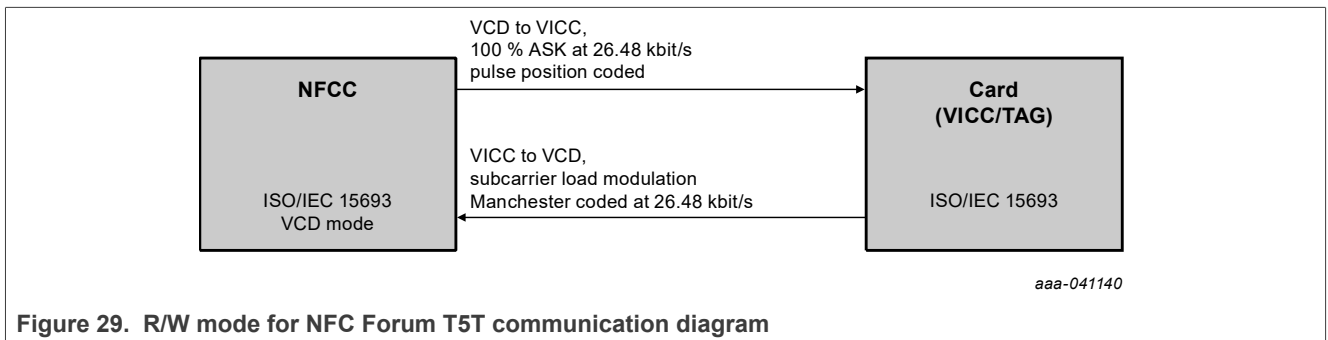


Figure 29. R/W mode for NFC Forum T5T communication diagram

Figure 29 shows the communication schemes used.

The following communication scheme is possible.

Table 24. Communication overview for NFC Forum T5T R/W mode

Communication direction		
PN7160 → VICC		
(data sent by PN7160 to a tag)	transfer speed	26.48 kbit/s
	bit length	(512/13.56) μs
	modulation on PN7160 side	100 % ASK

Table 24. Communication overview for NFC Forum T5T R/W mode...continued

Communication direction		
	bit coding	pulse position modulation 1 out of 4 mode
VICC → PN7160		
(data received by PN7160 from a tag)	transfer speed	26.48 kbit/s
	bit length	(512/13.56) μs
	modulation on VICC side	subcarrier load modulation
	subcarrier frequency	single subcarrier
	bit coding	Manchester

11.6.2 ISO/IEC 18092, Ecma 340 NFCIP-1 communication modes

Only available up to Firmware version 12.50.0A:

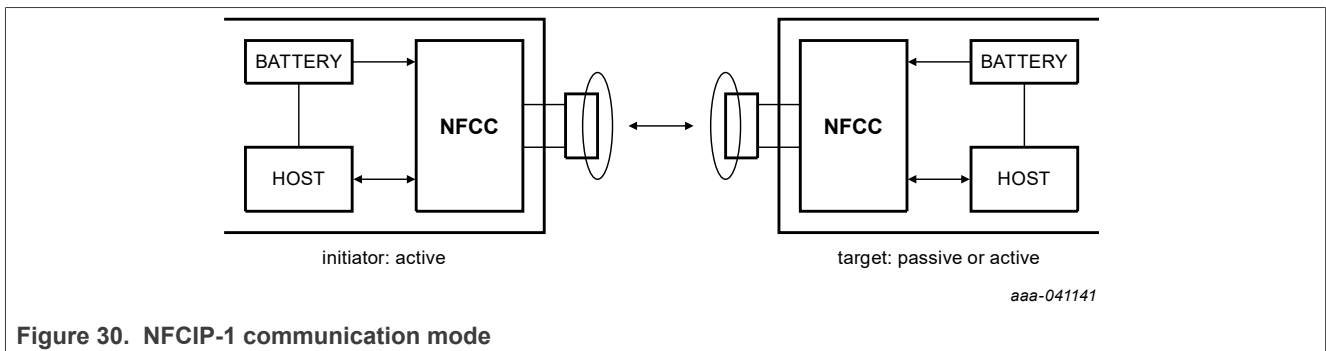
An NFCIP-1 communication takes place between 2 devices:

- NFC Initiator: generates RF field at 13.56 MHz and starts the NFCIP-1 communication.
- NFC Target: responds to NFC Initiator command either in a load modulation scheme in Passive communication mode or using a self-generated and self-modulated RF field for Active communication mode.

The NFCIP-1 communication differentiates between Active and Passive communication modes.

- Active communication mode means both the NFC Initiator and the NFC Target are using their own RF field to transmit data
- Passive communication mode means that the NFC Target answers to an NFC Initiator command in a load modulation scheme. The NFC Initiator is active in terms of generating the RF field.

PN7160 supports the Active Initiator, Active Target, Passive Initiator and Passive Target communication modes at the transfer speeds 106 kbit/s, 212 kbit/s and 424 kbit/s as defined in the NFCIP-1 standard.



The contactless coprocessor of PN7160 and the on-chip CPU handle NFCIP-1 protocol, for all communication modes and data rates, for both NFC Initiator and NFC Target.

Nevertheless a dedicated external host has to handle the application layer communication.

3

3 Since Android 12, P2P functionality is not included by default in the android main package. Moreover, this functionality has never been supported by iOS devices. It can be recognized that P2P is slowly removed from the market. At NFC Forum, the P2P functionality is not available for the Reader device class since CR13 and NXP do not expect any significant changes on the defined functionality. For this reason NXP stops the maintenance of the P2P functionality on this NFC Reader products PN7160 and PN7161 from firmware 12.50.0A onwards. The existing previous product versions (hardware and supporting software) which include the P2P support will still be available.

11.6.2.1 Active communication mode

Active communication mode means both the NFC Initiator and the NFC Target are using their own RF field to transmit data.

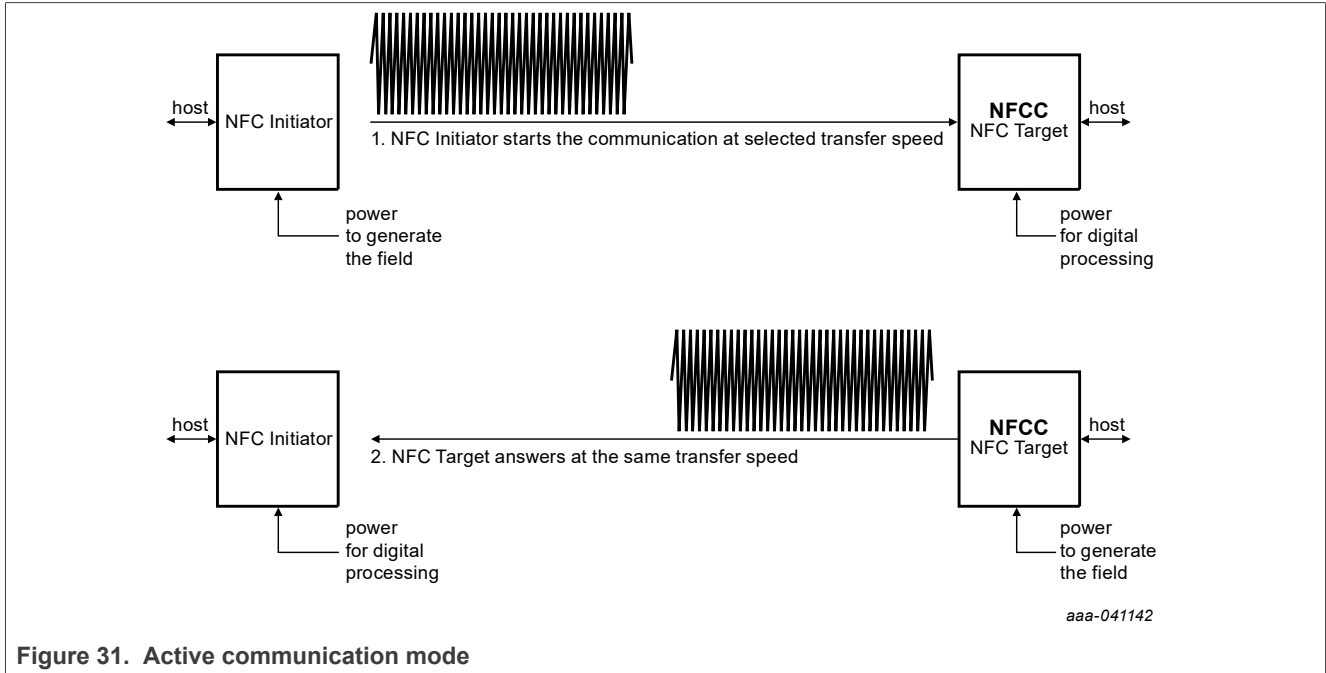


Figure 31. Active communication mode

Table 25 gives an overview of the Active communication modes:

Table 25. Overview for Active communication mode

Communication direction	ISO/IEC 18092, Ecma 340, NFCIP-1			
	Baud rate	106 kbit/s	212 kbit/s	424 kbit/s
	Bit length	(128/13.56) μs	(64/13.56) μs	(32/13.56) μs
NFC Initiator to NFC Target				
modulation	100 % ASK	8 % - 30 % ASK ^[1]	8 % - 30 % ASK ^[1]	
bit coding	Modified Miller	Manchester	Manchester	
NFC Target to NFC Initiator				
modulation	100 % ASK	8 % - 30 % ASK ^[1]	8 % - 30 % ASK ^[1]	
bit coding	Miller	Manchester	Manchester	

[1] This modulation index range is according to NFCIP-1 standard. It might be that some NFC Forum type 3 cards does not withstand the full range as based on FeliCa range which is narrow (8 % to 14 % ASK). To adjust the index, see [8].

11.6.2.2 Passive communication mode

Passive communication mode means that the NFC Target answers to an NFC Initiator command in a load modulation scheme.

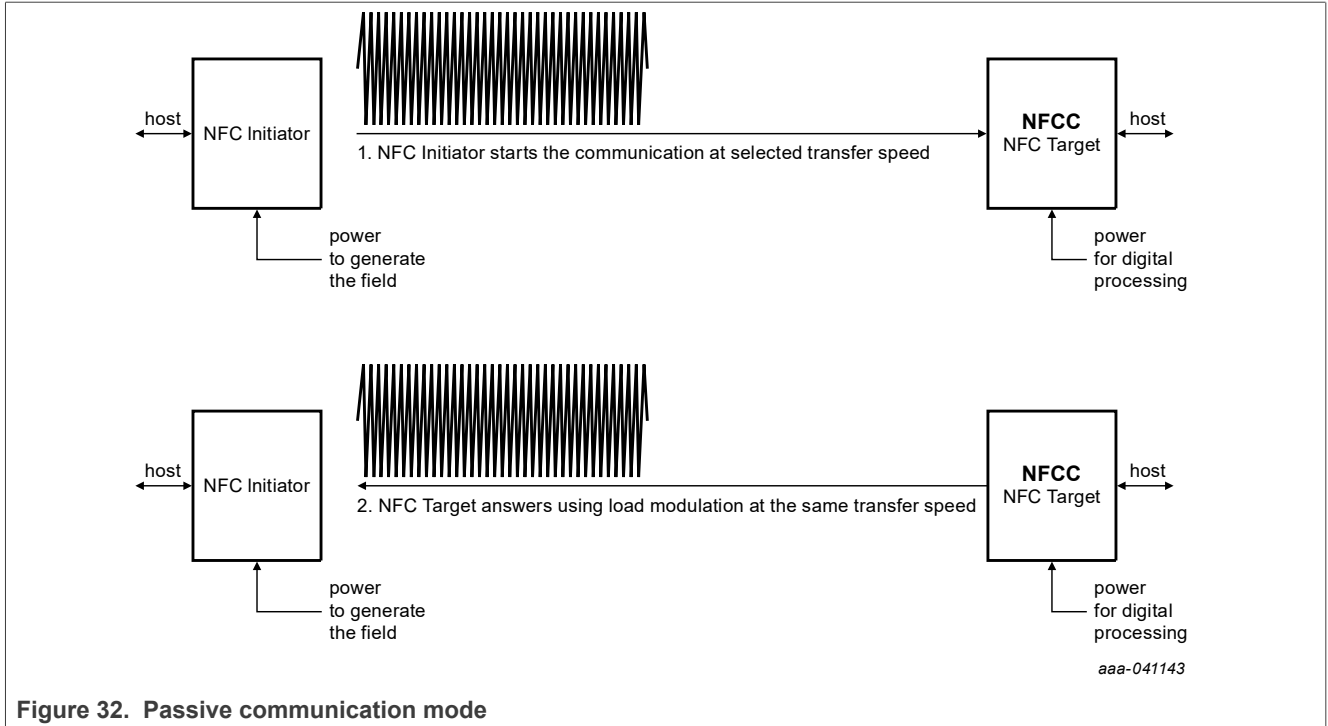


Figure 32. Passive communication mode

Table 26 gives an overview of the Passive communication modes:

Table 26. Overview for Passive communication mode

Communication direction	ISO/IEC 18092, Ecma 340, NFCIP-1			
	Baud rate	106 kbit/s	212 kbit/s	424 kbit/s
	Bit length	(128/13.56) μ s	(64/13.56) μ s	(32/13.56) μ s
NFC Initiator to NFC Target				
modulation	100 % ASK	8 % - 30 % ASK ^[1]	8 % - 30 % ASK ^[1]	
bit coding	Modified Miller	Manchester	Manchester	
NFC Target to NFC Initiator				
modulation	subcarrier load modulation	load modulation	load modulation	
subcarrier frequency	13.56 MHz/16	no subcarrier	no subcarrier	
bit coding	Manchester	Manchester	Manchester	

[1] This modulation index range is according to NFCIP-1 standard. It might be that some NFC Forum type 3 cards does not withstand the full range as based on FeliCa range which is narrow (8 % to 14 % ASK). To adjust the index, see Ref. [8].

11.6.2.3 NFCIP-1 framing and coding

The NFCIP-1 framing and coding in Active and Passive communication modes are defined in the NFCIP-1 standard: ISO/IEC 18092 or Ecma 340.

11.6.2.4 NFCIP-1 protocol support

The NFCIP-1 protocol is not completely described in this document. For detailed explanation of the protocol, refer to the ISO/IEC 18092 or Ecma 340 NFCIP-1 standard. However the datalink layer is according to the following policy:

- Transaction includes initialization, anti-collision methods and data transfer. This sequence must not be interrupted by another transaction.
- PSL shall be used to change the speed between the target selection and the data transfer, but the speed should not be changed during a data transfer.

11.6.3 Card mode

PN7160 can be addressed as an NFC Forum T4T, ISO/IEC 14443A, MIFARE, or ISO/IEC 14443B card. This means that PN7160 can generate an answer in a load modulation scheme according to the ISO/IEC 14443A, and ISO/IEC 14443B interface description.

Remark: PN7160 does not support a complete card protocol. This has to be handled by the host controller.

[Table 27](#), [Table 28](#) describe the physical parameters.

11.6.3.1 NFC Forum T4T, ISO/IEC 14443A

Table 27. Overview for NFC Forum T4T, ISO/IEC 14443A card mode

Communication direction		ISO/IEC 14443A	ISO/IEC 14443A higher transfer speeds	
	Transfer speed	106 kbit/s	212 kbit/s	424 kbit/s
	Bit length	(128/13.56) μ s	(64/13.56) μ s	(32/13.56) μ s
PCD → PN7160				
(data received by PN7160 from a card)	modulation on PCD side	100 % ASK	> 25 % ASK	> 25 % ASK
	bit coding	Modified Miller	Modified Miller	Modified Miller
PN7160 → PCD				
(data sent by PN7160 to a card)	modulation on PN7160 side	subcarrier load modulation	subcarrier load modulation	subcarrier load modulation
	subcarrier frequency	13.56 MHz/16	13.56 MHz/16	13.56 MHz/16
	bit coding	Manchester	BPSK	BPSK

11.6.3.2 NFC Forum T4T, ISO/IEC 14443B card mode

Table 28. Overview for NFC Forum T4T, ISO/IEC 14443B card mode

Communication direction		ISO/IEC 14443B	ISO/IEC 14443B higher transfer speeds	
	Transfer speed	106 kbit/s	212 kbit/s	424 kbit/s
	Bit length	(128/13.56) μ s	(64/13.56) μ s	(32/13.56) μ s
PCD → PN7160				
(data received by PN7160 from a Reader)	modulation on PCD side	8 % - 14 % ASK	8 % - 14 % ASK	8 % - 14 % ASK
	bit coding	NRZ	NRZ	NRZ

Table 28. Overview for NFC Forum T4T, ISO/IEC 14443B card mode...continued

Communication direction		ISO/IEC 14443B	ISO/IEC 14443B higher transfer speeds	
	Transfer speed	106 kbit/s	212 kbit/s	424 kbit/s
	Bit length	(128/13.56) μ s	(64/13.56) μ s	(32/13.56) μ s
PN7160 → PCD				
(data sent by PN7160 to a Reader)	modulation on PN7160 side	subcarrier load modulation	subcarrier load modulation	subcarrier load modulation
	subcarrier frequency	13.56 MHz/16	13.56 MHz/16	13.56 MHz/16
	bit coding	BPSK	BPSK	BPSK

11.6.4 Frequency interoperability

When in communication, PN7160 is generating some RF frequencies. PN7160 is also sensitive to some RF signals as it is looking for data in the field.

In order to avoid interference with others RF communication, it is required to tune the antenna and design the board according to Ref. [7].

Although ISO/IEC 14443 and ISO/IEC 18092/Ecma 340 allows an RF frequency of 13.56 MHz \pm 7 kHz, FCC regulation does not allow this wide spread and limits the dispersion to \pm 100 ppm, which is in line with PN7160 capability, see [Table 17](#) and [Table 18](#).

12 Limiting values

Table 29. Limiting values

In accordance with the Absolute Maximum Rating System (IEC 60134).

Symbol	Parameter	Conditions		Min	Max	Unit
$V_{DD(PAD)}$	$V_{DD(PAD)}$ supply voltage	supply voltage for host interface		-	4.2	V
$V_{DD(UP)}$	$V_{DD(UP)}$ supply voltage	supply voltage for host interface		-	7	V
V_{BAT}	battery supply voltage			-	6	V
V_{ESD}	electrostatic discharge voltage	HBM; 1500 Ω , 100 pF; EIA/ JESD22-A114-D		-	2	kV
		CDM; field induced model; EIA/ JESC22-C101-C		-	1	kV
T_{stg}	storage temperature			-40	+150	$^{\circ}\text{C}$
P_{tot}	total power dissipation	all modes	[1]	-	620	mW
$V_{RXN(i)}$	RXN input voltage			0	2.5	V
$V_{RXP(i)}$	RXP input voltage			0	2.5	V

[1] The design of the solution shall be done so that for the different use cases targeted the power to be dissipated from the field or generated by PN7160 does not exceed this value.

13 Recommended operating conditions

Table 30. Operating conditions

Symbol	Parameter	Conditions		Min	Typ	Max	Unit
T _{amb}	ambient operating temperature	JEDEC PCB-0.5		-30	-	+85	°C
V _{BAT}	battery supply voltage	Card Emulation and Passive Target; V _{SS} = 0 V	[1]	2.5	-	5.5	V
		Reader, Active Initiator and Active Target; V _{SS} = 0 V	[1]	2.8	-	5.5	V
V _{DD(UP)}	V _{DD(UP)} input supply voltage	Reader, Active Initiator and Active Target; V _{SS} = 0 V	[1]	2.8	-	5.8	V
		All other cases except HPD state; V _{SS} = 0 V	[1] [2]	2.5	-	5.8	V
V _{DD(PAD)}	V _{DD(PAD)} supply voltage	supply voltage for host interface; V _{SS} = 0 V	[1]	1.65	1.8	1.95	V
				3.0	3.3	3.6	V
P _{tot}	total power dissipation	PCD mode at typical V _{DD(TX)} = 5.25 V, V _{DD(UP)} = 5.8 V and V _{BAT} = 3.6 V; includes power from V _{BAT} and V _{DD(UP)}		-	-	620	mW
I _{BAT}	battery supply current	in Hard Power Down state; V _{BAT} = 3.6 V; T = 25 °C	[3]	-	10.5	16	µA
		in Standby state; V _{BAT} = 3.6 V					
		enhanced RF detector		-	31	52	µA
		low sensitivity RF detector		-	21	36	µA
		in low-power polling loop; V _{BAT} = 3.6 V; T = 25 °C; loop time = 500 ms		-	100	-	µA
		continuous total current consumption in PCD mode at V _{BAT} = 3.6 V	[4]	-	-	290	mA
I _{th(lim)}	current limit threshold	current limiter on transmitter	[4]	270	300	330	mA

[1] V_{SS} represents V_{SS(PAD)} and V_{SS(TX)}.
 [2] When V_{DD(UP)} is below 2.8 V the TXLDO can be in follower mode (see Section 11.4.3), there will be no more V_{DD(UP)} noise rejection. Any noise below 848 kbit/s will affect the performance.
 [3] External clock on NFC_CLK_XTAL1 must be LOW.
 [4] This is considering an antenna tuned to sink maximum 250 mA continuous current from the transmitter. The antenna shall be tuned to never exceed this 250 mA maximum current.

14 Thermal characteristics

Table 31. Thermal characteristics VFBGA64 package

Symbol	Parameter	Conditions	Typ	Unit
$R_{th(j-a)}$	thermal resistance from junction to ambient	in free air with exposed pad soldered on a 4 layer JEDEC PCB	52.0	K/W
$R_{th(j-c)}$	thermal resistance from junction to case	-	10.0	K/W

Table 32. Thermal characteristics HVQFN40 package

Symbol	Parameter	Conditions	Typ	Unit
$R_{th(j-a)}$	thermal resistance from junction to ambient	in free air with exposed pad soldered on a 4 layer JEDEC PCB	28.0	K/W
$R_{th(j-c)}$	thermal resistance from junction to case	-	13.2	K/W

Table 33. Junction Temperature

Symbol	Parameter	Conditions	Max	Unit
T_{j_max}	maximum junction temperature	-	125	°C

Table 34. Thermal Shutdown Temperature

Symbol	Parameter	Conditions	Typ	Unit
$T_{shutdown}$	shutdown of chip due to high temperature detected by temp sensor	-	125	°C

15 Characteristics

15.1 Current consumption characteristics

Table 35. Current consumption characteristics for operating ambient temperature range

Symbol	Parameter	Conditions	Min	Typ	Max	Unit
I _{BAT}	battery supply current	in Hard Power Down state; V _{BAT} = 3.6 V; VEN voltage = 0 V	-	10	24	μA
		in Standby state; V _{BAT} = 3.6 V;	^[1] -	20	35	μA
		in Idle and Target Active power states; V _{BAT} = 3.6 V	-	4.55	-	mA
		in Initiator Active power state; V _{BAT} = 3.6 V; RF on	^[2] -	240	-	mA

[1] Refer to [Section 11.1.2](#) for the description of the power modes.

[2] For transmitter current tuned at 210 mA unloaded.

15.2 Functional block electrical characteristics

15.2.1 Reset via VEN

Table 36. Reset timing

Symbol	Parameter	Conditions	Min	Typ	Max	Unit
t _{WL(VEN)}	pulse width VEN LOW	to reset	10	-	-	μs
t _{boot}	boot time		-	-	2.5	ms

15.2.2 Power-up timings

Table 37. Power-up timings

Symbol	Parameter	Conditions	Min	Typ	Max	Unit
t _{t(VBAT-VEN)}	transition time from pin V _{BAT} to pin VEN	V _{BAT} , VEN voltages = HIGH	0	-	-	ms
t _{t(VDDPAD-VEN)}	transition time from pin V _{DD(PAD)} to pin VEN	V _{DD(PAD)} , VEN voltages = HIGH	0	-	-	ms
t _{t(VBAT-VDDPAD)}	transition time from pin V _{BAT} to pin V _{DD(PAD)}	V _{BAT} , V _{DD(PAD)} = HIGH	0	-	-	ms

15.2.3 Power-down timings

Table 38. Power-down timings

Symbol	Parameter	Conditions	Min	Typ	Max	Unit
t _{WL(VBAT)}	pulse width V _{BAT} LOW		20	-	-	ms
t _d	delay time		0	-	-	ms

15.2.4 Download mode timings

Table 39. Download mode timings

Symbol	Parameter	Conditions	Min	Typ	Max	Unit
$t_{(DWL_REQ-VEN)}$	transition time from pin DWL_REQ to pin VEN	DWL_REQ, VEN voltages = HIGH	0	0.5	-	ms

15.2.5 I²C-bus timings

Here below are timings and frequency specifications.

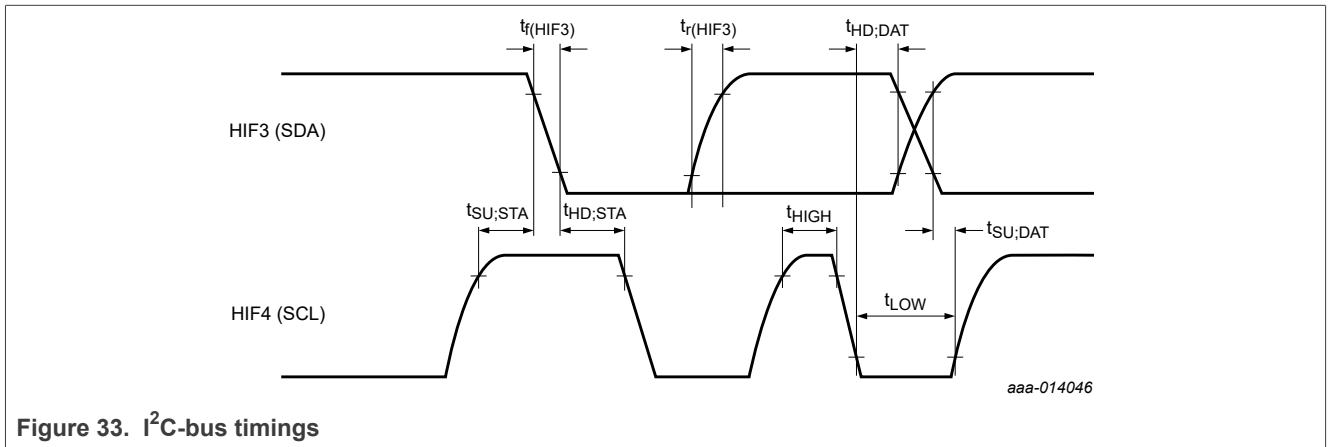


Figure 33. I²C-bus timings

Table 40. High-speed mode I²C-bus timings specification

Symbol	Parameter	Conditions	Min	Max	Unit
$f_{clk(HIF4)}$	clock frequency on pin HIF4	I ² C-bus SCL; $C_b < 100$ pF	0	3.4	MHz
$t_{SU:STA}$	set-up time for a repeated START condition	$C_b < 100$ pF	160	-	ns
$t_{HD:STA}$	hold time (repeated) START condition	$C_b < 100$ pF	160	-	ns
t_{LOW}	LOW period of the SCL clock	$C_b < 100$ pF	160	-	ns
t_{HIGH}	HIGH period of the SCL clock	$C_b < 100$ pF	60	-	ns
$t_{SU:DAT}$	data set-up time	$C_b < 100$ pF	10	-	ns
$t_{HD:DAT}$	data hold time	$C_b < 100$ pF	0	-	ns
$t_r(HIF3)$	rise time on pin HIF3	I ² C-bus SDA; $C_b < 100$ pF	10	80	ns
$t_f(HIF3)$	fall time on pin HIF3	I ² C-bus SDA; $C_b < 100$ pF	10	80	ns
V_{hys}	hysteresis voltage	Schmitt trigger inputs; $C_b < 100$ pF	$0.1V_{DD(PAD)}$	-	V

Table 41. Fast mode I²C-bus timings specification

Symbol	Parameter	Conditions	Min	Max	Unit
$f_{clk(HIF4)}$	clock frequency on pin HIF4	I ² C-bus SCL; $C_b < 400$ pF	0	400	kHz

Table 41. Fast mode I²C-bus timings specification...continued

Symbol	Parameter	Conditions	Min	Max	Unit
t _{SU,STA}	set-up time for a repeated START condition	C _b < 400 pF	600	-	ns
t _{HD,STA}	hold time (repeated) START condition	C _b < 400 pF	600	-	ns
t _{LOW}	LOW period of the SCL clock	C _b < 400 pF	1.3	-	µs
t _{HIGH}	HIGH period of the SCL clock	C _b < 400 pF	600	-	ns
t _{SU,DAT}	data set-up time	C _b < 400 pF	100	-	ns
t _{HD,DAT}	data hold time	C _b < 400 pF	0	900	ns
V _{hys}	hysteresis voltage	Schmitt trigger inputs; C _b < 400 pF	0.1V _{DD(PAD)}	-	V

15.2.6 SPI-bus timings

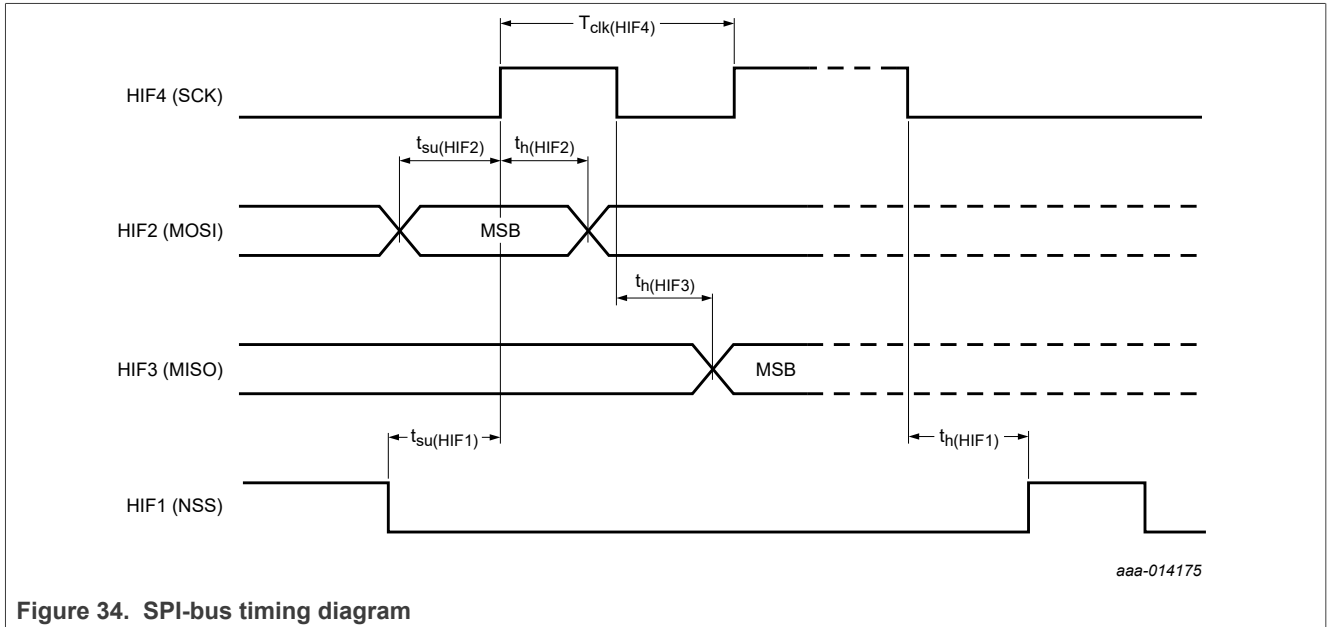


Figure 34. SPI-bus timing diagram

Table 42. SPI-bus timings specification

Symbol	Parameter	Conditions	Min	Max	Unit
T _{clk(HIF4)}	clock period on pin HIF4	SPI SCK	142	-	ns
t _{su(HIF2)}	HIF2 set-up time	SPI MOSI	[1] 35	-	ns
t _{h(HIF2)}	HIF2 hold time	SPI MOSI	[1] 35	-	ns
t _{h(HIF3)}	HIF3 hold time	SPI MISO	[2] -	37	ns
t _{h(HIF1)}	HIF1 hold time	SPI NSS	[1] 37	-	ns
t _{su(HIF1)}	HIF1 set-up time	SPI NSS	[1] 142	-	ns

[1] Controlled by host.
 [2] Controlled by PN7160.

15.2.7 Active load modulation phase

Table 43. Active load modulation phase error

Symbol	Parameter	Conditions	Min	Typ	Max	Unit
E_{ϕ}	phase error	ALM phase error from RXP input to clock recovery output 50 mV < V_{RX} < 500 mV	- 5	-	+ 5	°

15.3 Pin characteristics

15.3.1 NFC_CLK_XTAL1 and XTAL2 pins characteristics

Table 44. Input clock characteristics on NFC_CLK_XTAL1 when using PLL

Symbol	Parameter	Conditions	Min	Typ	Max	Unit
$V_{i(p-p)}$	peak-to-peak input voltage		0.2	-	1.8	V
δ	duty cycle		35	-	65	%

Table 45. Pin characteristics for NFC_CLK_XTAL1 when PLL input

Symbol	Parameter	Conditions	Min	Typ	Max	Unit
I_{IH}	HIGH-level input current	$V_I = V_{DDD}$	-1	-	+1	μ A
I_{IL}	LOW-level input current	$V_I = 0$ V	-1	-	+1	μ A
V_i	input voltage		-	-	V_{DDD}	V
$V_{i(clk)(p-p)}$	peak-to-peak clock input voltage		200	-	-	mV
C_i	input capacitance	all power modes	-	2	-	pF

Table 46. Pin characteristics for 27.12 MHz crystal oscillator

Symbol	Parameter	Conditions	Min	Typ	Max	Unit
$C_{i(NFC_CLK_XTAL1)}$	NFC_CLK_XTAL1 input capacitance	$V_{DDD} = 1.8$ V	-	2	-	pF
$C_{i(XTAL2)}$	XTAL2 input capacitance		-	2	-	pF

Table 47. PLL accuracy

Symbol	Parameter	Conditions	Min	Typ	Max	Unit
$f_{o(acc)}$	output frequency accuracy	deviation added to NFC_CLK_XTAL1 frequency on RF frequency generated; worst case whatever input frequency	-30	-	+30	ppm

15.3.2 VEN input pin characteristics

Table 48. VEN input pin characteristics

Symbol	Parameter	Conditions	Min	Typ	Max	Unit
V_{IH}	HIGH-level input voltage		1.1	-	V_{BAT}	V

Table 48. VEN input pin characteristics...continued

Symbol	Parameter	Conditions	Min	Typ	Max	Unit
V _{IL}	LOW-level input voltage		0	-	0.4	V
I _{IH}	HIGH-level input current	VEN voltage = V _{BAT}	-1	-	+1	μA
I _{IL}	LOW-level input current	VEN voltage = 0 V	-1	-	+1	μA
C _i	input capacitance		-	5	-	pF

15.3.3 Output pin characteristics for IRQ, CLK_REQ

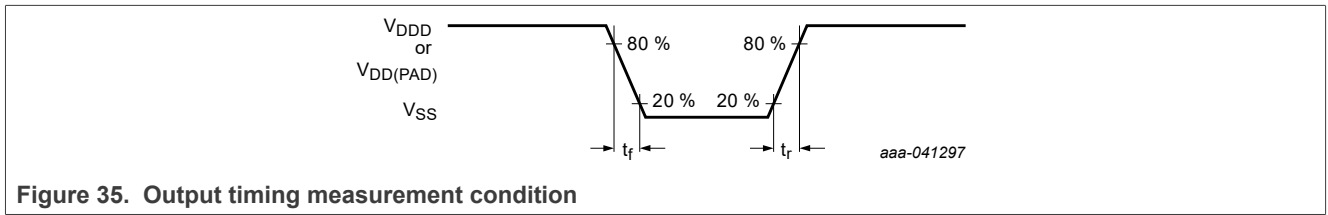


Figure 35. Output timing measurement condition

Table 49. Output pin characteristics for IRQ, CLK_REQ

Symbol	Parameter	Conditions	Min	Typ	Max	Unit
V _{OH}	HIGH-level output voltage	I _{OH} < 3 mA	V _{DD(PAD)} - 0.4	-	V _{DD(PAD)}	V
V _{OL}	LOW-level output voltage	I _{OL} < 3 mA	0	-	0.4	V
C _L	load capacitance		-	-	20	pF
t _f	fall time	C _L = 12 pF max [1]	2	-	10	ns
t _r	rise time	C _L = 12 pF max [1]	2	-	10	ns
R _{pd}	pull-down resistance	for IRQ and CLK_REQ [2]	0.35	-	0.85	MΩ
		for IRQ and CLK_REQ [3] [4]	55	-	120	kΩ

[1] See Figure 35.
 [2] Pull-down resistance is activated in HPD state.
 [3] Pull-down resistance can be activated by firmware in Standby state.
 [4] Pull-down resistance can be activated by firmware in Active state.

15.3.4 Output pin characteristics for TX_PWR_REQ

Table 50. Output pin characteristics for TX_PWR_REQ

Symbol	Parameter	Conditions	Min	Typ	Max	Unit
V _{OH}	HIGH-level output voltage	I _{OH} < 3 mA [1]	V _{DDD} - 0.4	-	V _{DDD}	V
V _{OL}	LOW-level output voltage	I _{OL} < 3 mA [1]	0	-	0.4	V
C _L	load capacitance		-	-	20	pF
t _f	fall time	C _L = 12 pF max [2]	2	-	10	ns
t _r	rise time	C _L = 12 pF max [2]	2	-	10	ns
R _{pd}	pull-down resistance	[3]	55	-	120	kΩ
R _{pu}	pull-up resistance	[4]	55	-	120	kΩ

[1] TX_PWR_REQ active driving is only possible when V_{DD(PAD)} is present. When V_{DD(PAD)} is not present, only pull-up or pull-down resistors can be enabled.
 [2] See Figure 35.

[3] Unless disable by firmware, pull-down resistance is always activated.
 [4] Can be enabled by firmware.

15.3.5 Output pin characteristics for DCDC_EN

Table 51. Output pin characteristics for DCDC_EN

Symbol	Parameter	Conditions	Min	Typ	Max	Unit
V _{OH}	HIGH-level output voltage	I _{OH} < 3 mA ^[1]	V _{DD(PAD)} - 0.4	-	V _{DD(PAD)}	V
V _{OL}	LOW-level output voltage	I _{OL} < 3 mA ^[1]	0	-	0.4	V
C _L	load capacitance		-	-	20	pF

[1] DCDC_EN active driving is only possible when V_{DD(PAD)} is present. When V_{DD(PAD)} is not present, only pull-up or pull-down resistors can be enabled.

15.3.6 Input pin characteristics for DWL_REQ, WKUP_REQ

Table 52. Input pin characteristics for DWL_REQ, WKUP_REQ

Symbol	Parameter	Conditions	Min	Typ	Max	Unit
V _{IH}	HIGH-level input voltage	typical 1.8 V interface supply voltage	0.65V _{DD(PAD)}	-	-	V
		typical 3.3 V interface supply voltage	2.0			V
V _{IL}	LOW-level input voltage	typical 1.8 V interface supply voltage	-	-	0.35V _{DD(PAD)}	V
		typical 3.3 V interface supply voltage			0.8	
I _{IH}	HIGH-level input current		-1	-	+1	μA
I _{IL}	LOW-level input current		-1	-	+1	μA
C _i	input capacitance		-	5	-	pF
R _{pd}	pull-down resistance	pull-down				
		DWL_REQ pin ^[1]	0.35	-	0.85	MΩ
		WKUP_REQ pin ^[1]	55	-	120	kΩ

[1] Activated in HPD state.

15.3.7 Input pin characteristics for RXN and RXP

Table 53. Input pin characteristics for RXN and RXP

Symbol	Parameter	Conditions	Min	Typ	Max	Unit
V _{RXN(i)}	RXN input voltage		0	-	V _{DDA} - 0.05	V
V _{RXP(i)}	RXP input voltage		0	-	V _{DDA} - 0.05	V
C _{i(RXN)}	RXN input capacitance		-	6	-	pF
C _{i(RXP)}	RXP input capacitance		-	6	-	pF
Z _{i(RXN-VDDMID)}	input impedance between RXN and V _{DD(MID)}	Reader, card and P2P modes	0	-	15	kΩ

Table 53. Input pin characteristics for RXN and RXP...continued

Symbol	Parameter	Conditions	Min	Typ	Max	Unit
$Z_{i(RXP-VDDMID)}$	input impedance between RXP and $V_{DD(MID)}$	Reader, card and P2P modes	0	-	15	k Ω
$V_{i(dyn)(RXN)}$	RXN minimum dynamic input voltage	Miller coded				
		106 kbit/s	-	-	20	mV(p-p)
		212 kbit/s to 424 kbit/s	-	-	20	mV(p-p)
$V_{i(dyn)(RXP)}$	RXP minimum dynamic input voltage	Miller coded				
		106 kbit/s	-	-	20	mV(p-p)
		212 kbit/s to 424 kbit/s	-	-	20	mV(p-p)
$V_{i(dyn)(RXN)}$	RXN minimum dynamic input voltage	Manchester, NRZ or BPSK coded; 106 kbit/s to 848 kbit/s	-	-	20	mV(p-p)
$V_{i(dyn)(RXP)}$	RXP minimum dynamic input voltage	Manchester, NRZ or BPSK coded; 106 kbit/s to 848 kbit/s	-	-	20	mV(p-p)
$V_{i(dyn)(RXN)}$	RXN maximum dynamic input voltage	All data coding; 106 kbit/s to 848 kbit/s	-	-	$V_{DDA} - 0.05$	V(p-p)
$V_{i(dyn)(RXP)}$	RXP maximum dynamic input voltage	All data coding; 106 kbit/s to 848 kbit/s	-	-	$V_{DDA} - 0.05$	V(p-p)
$V_{i(RF)}$	RF input voltage for RF level detector	RF input voltage detected for 9 mV threshold	5.5	9	15	mV(p-p)
	RF input voltage for NFC level detector	RF input voltage detected for 15 mV threshold	8	15	23	mV(p-p)

15.3.8 ANT1 and ANT2 pin characteristics

Table 54. Electrical characteristics of ANT1 and ANT2

Symbol	Parameter	Conditions	Min	Typ	Max	Unit
R_I	input resistance	switches closed; for pins ANT _X	^[1] -	10	17	Ω
I_I	input current	for pins ANT _X	^[1] -50	-	+50	mA

[1] With X = 1 or 2.

15.3.9 $V_{DD(HF)}$ and V_{DDD} pins characteristics

Table 55. Electrical characteristics of $V_{DD(HF)}$ and V_{DDD}

Symbol	Parameter	Conditions	Min	Typ	Max	Unit
$V_{DD(HF)}$	$V_{DD(HF)}$ supply voltage	$I_{ANTX} = 5$ mA	^[1] -	2.7	-	V
V_{DDD}	V_{DDD} supply voltage 1.8 V	$V_{SS} = 0$ V	1.7	1.8	1.95	V

[1] With X = 1 or 2.

15.3.10 Output pin characteristics for TX1 and TX2

Table 56. Output pin characteristics for TX1 and TX2

Symbol	Parameter	Conditions	Min	Typ	Max	Unit
V _{OH}	HIGH-level output voltage	V _{DD(TX)} = 3.3 V and I _{OH} = 30 mA; PMOS driver fully on	V _{DD(TX)} - 150	-	-	mV
V _{OL}	LOW-level output voltage	V _{DD(TX)} = 3.3 V and I _{OL} = 30 mA; NMOS driver fully on	-	-	200	mV

Table 57. Output resistance for TX1 and TX2

Symbol	Parameter	Conditions	Min	Typ	Max	Unit
R _{OL}	LOW-level output resistance	V _{DD(TX)} - 100 mV; CWGsN = 01h	-	-	80	Ω
		V _{DD(TX)} - 100 mV; CWGsN = 0Fh	-	0.9	-	Ω
R _{OH}	HIGH-level output resistance	V _{DD(TX)} = 5 V; V _(TXn) = V _{DD(TX)} - 100 mV	^[1] 0.65	0.9	1.4	Ω

[1] With n = 1 or 2.

15.3.11 Input pin characteristics for HIF1 (used as SPI-bus NSS, used as I²C-bus address 0), HIF2 (used as SPI-bus MOSI, used as I²C-bus address 1), HIF4 (used as SPI-bus SCK)

Table 58. Input pin characteristics for HIF1 (used as SPI-bus NSS, used as I²C-bus address 0), HIF2 (used as SPI-bus MOSI, used as I²C-bus address 1), HIF4 (used as SPI-bus SCK)

Symbol	Parameter	Conditions	Min	Typ	Max	Unit
V _{IH}	HIGH-level input voltage		0.65V _{DD(PAD)}	-	V _{DD(PAD)}	V
V _{IL}	LOW-level input voltage		0	-	0.35V _{DD(PAD)}	V
I _{IH}	HIGH-level input current	V _I = V _{DD(PAD)}	-1	-	+1	μA
I _{IL}	LOW-level input current	V _I = 0 V	-1	-	+1	μA
C _i	input capacitance		-	5	-	pF
R _{pu}	pull-up resistance	HIF1 used as I ² C-bus address 0; HIF2 used as I ² C-bus address 1	^[1] 55	-	120	kΩ

[1] Unless disable by firmware, extra pull-up resistance is always activated.

15.3.12 Pin characteristics for HIF3 (used as I²C-bus SDA) and HIF4 (used as I²C-bus SCL)

Table 59. Pin characteristics for HIF3 (used as I²C-bus SDA) and HIF4 (used as I²C-bus SCL)

Symbol	Parameter	Conditions	Min	Typ	Max	Unit
V _{OL}	LOW-level output voltage	I _{OL} < 3 mA	^[1] 0	-	0.4	V
C _L	load capacitance		-	-	10	pF

Table 59. Pin characteristics for HIF3 (used as I²C-bus SDA) and HIF4 (used as I²C-bus SCL)...continued

Symbol	Parameter	Conditions	Min	Typ	Max	Unit
t _f	fall time	C _L = 100 pF; R _{pull-up} = 2 kΩ; Standard and Fast mode	[1] 30	-	250	ns
		C _L = 100 pF; R _{pull-up} = 1 kΩ; High-speed mode	[1] 80	-	110	ns
t _r	rise time	C _L = 100 pF; R _{pull-up} = 2 kΩ; Standard and Fast mode	[1] 30	-	250	ns
		C _L = 100 pF; R _{pull-up} = 1 kΩ; High-speed mode	[1] 10	-	100	ns
V _{IH}	HIGH-level input voltage		0.7V _{DD(PAD)}	-	V _{DD(PAD)}	V
V _{IL}	LOW-level input voltage		0	-	0.3V _{DD(PAD)}	V
I _{IH}	HIGH-level input current	V _I = V _{DD(PAD)} ; high impedance	-1	-	+1	μA
I _{IL}	LOW-level input current	V _I = 0 V; high impedance	-1	-	+1	μA
C _i	input capacitance		-	5	-	pF

[1] Only for pin HIF3 (I²C-bus SDA), HIF4 (I²C-bus SCL) is only used as input.

15.3.13 Pin characteristics for HIF3 (used as SPI-bus MISO)

Table 60. Pin characteristics for HIF3 (used as SPI-bus MISO)

Symbol	Parameter	Conditions	Min	Typ	Max	Unit
V _{OH}	HIGH-level output voltage	I _{OH} < 4 mA	V _{DD(PAD)} - 0.4	-	V _{DD(PAD)}	V
V _{OL}	LOW-level output voltage	I _{OL} < 4 mA	0	-	0.4	V
C _L	load capacitance		-	-	20	pF
t _f	fall time	C _L = 12 pF max				
		high speed	1	-	3	ns
		slow speed	3	-	10	ns
t _r	rise time	C _L = 12 pF max				
		high speed	1	-	3	ns
		slow speed	3	-	10	ns

16 Package outline VFBGA64

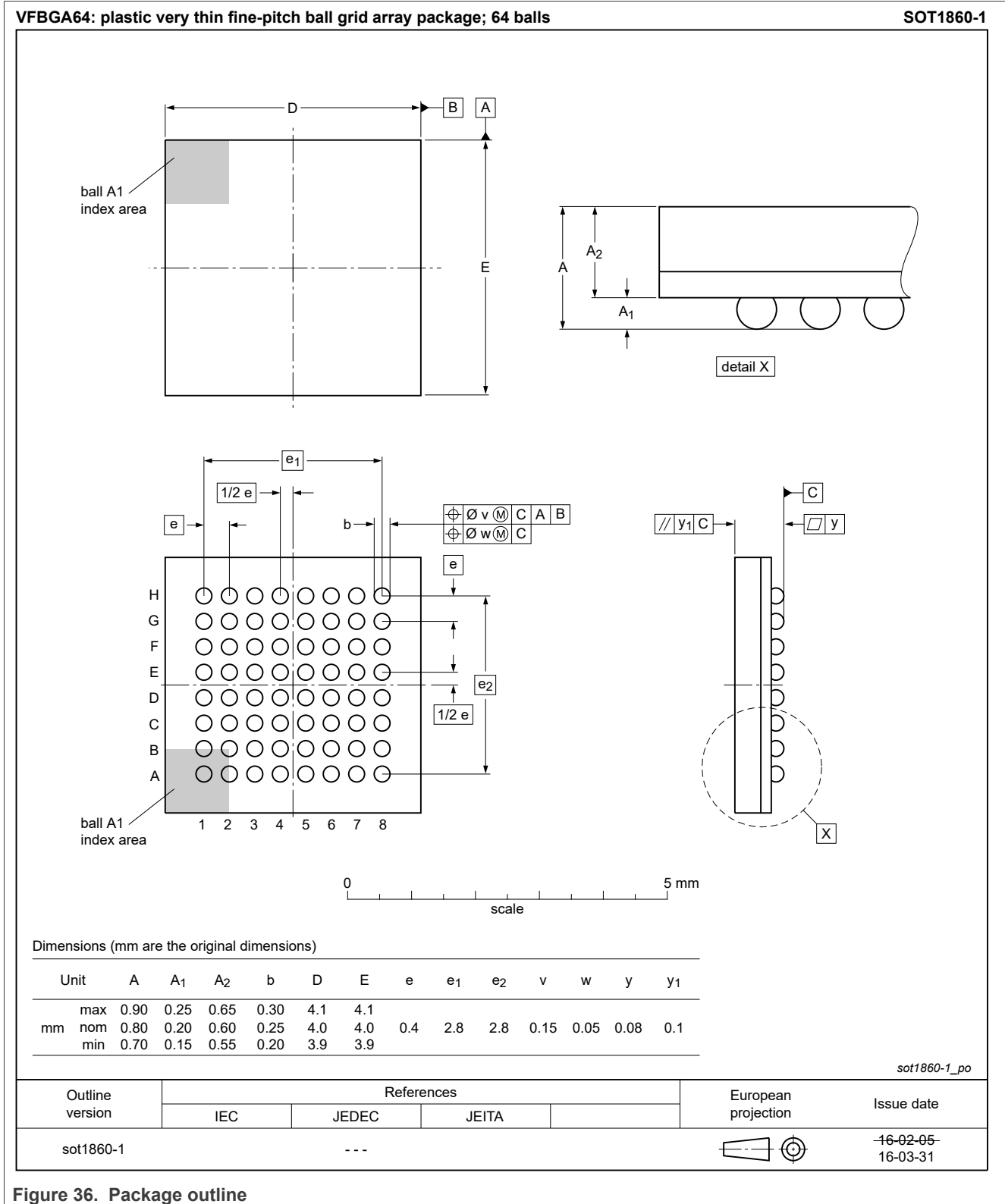
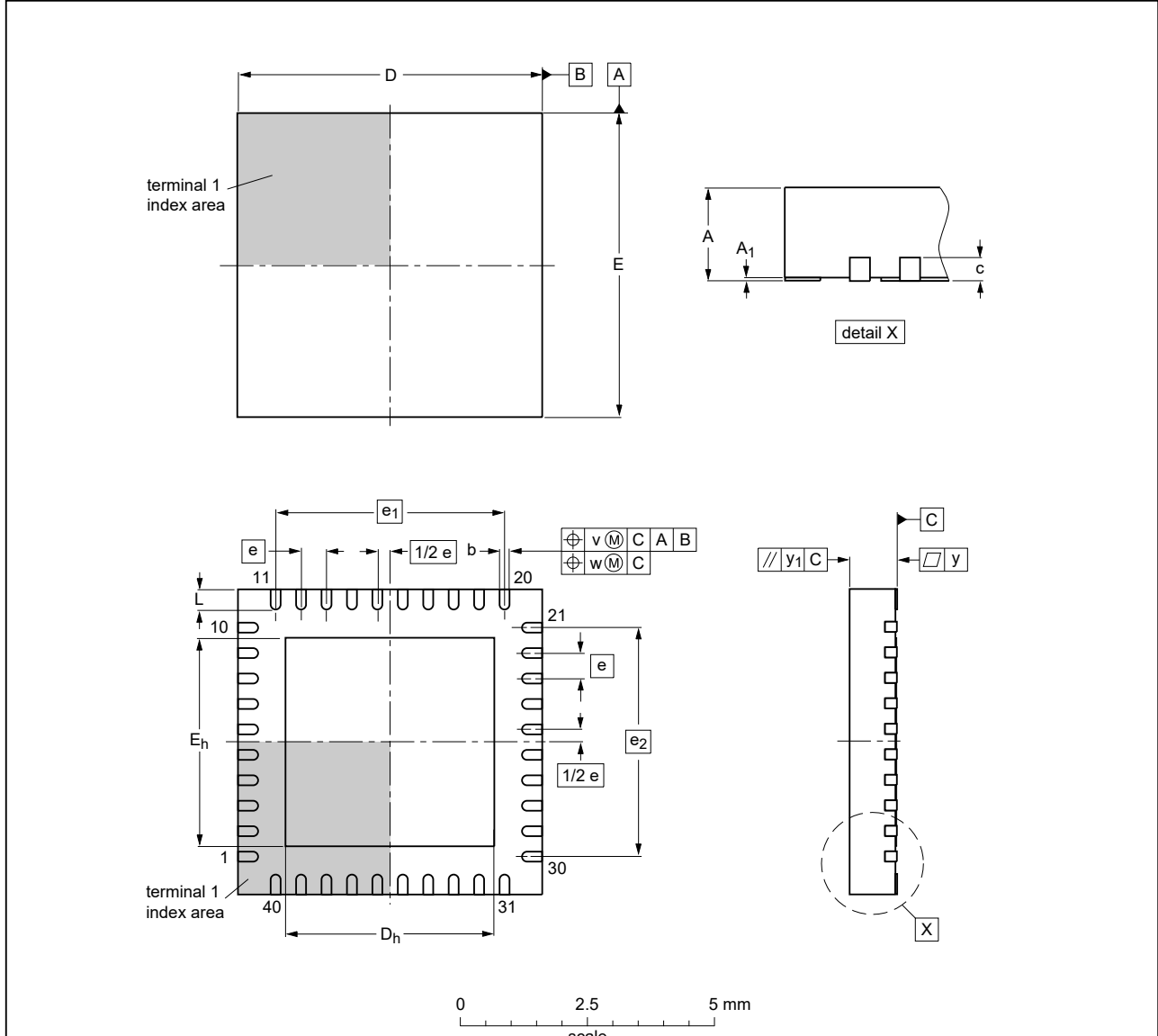


Figure 36. Package outline

17 Package outline HVQFN40

HVQFN40: plastic thermal enhanced very thin quad flat package; no leads;
40 terminals; body 6 x 6 x 0.85 mm

SOT618-1



Dimensions (mm are the original dimensions)

Unit	A ⁽¹⁾	A ₁	b	c	D ⁽¹⁾	D _h	E ⁽¹⁾	E _h	e	e ₁	e ₂	L	v	w	y	y ₁
mm	max 1.00	0.05	0.30	0.2	6.1	4.25	6.1	4.25	0.5	4.5	4.5	0.5	0.1	0.05	0.05	0.1
	nom 0.85	0.02	0.21		6.0	4.10	6.0	4.10				0.4				
	min 0.80	0.00	0.18		5.9	3.95	5.9	3.95				0.3				

Note
1. Plastic or metal protrusions of 0.075 mm maximum per side are not included.

sot618-1_po

Outline version	References			European projection	Issue date
	IEC	JEDEC	JEITA		
SOT618-1		MO-220			02-10-22 13-11-05

Figure 37. Package outline, HVQFN40, SOT618-1, MSL3

18 Soldering of SMD packages

This text provides a very brief insight into a complex technology. A more in-depth account of soldering ICs can be found in Application Note AN10365 "Surface mount reflow soldering description".

18.1 Introduction to soldering

Soldering is one of the most common methods through which packages are attached to Printed Circuit Boards (PCBs), to form electrical circuits. The soldered joint provides both the mechanical and the electrical connection. There is no single soldering method that is ideal for all IC packages. Wave soldering is often preferred when through-hole and Surface Mount Devices (SMDs) are mixed on one printed wiring board; however, it is not suitable for fine pitch SMDs. Reflow soldering is ideal for the small pitches and high densities that come with increased miniaturization.

18.2 Wave and reflow soldering

Wave soldering is a joining technology in which the joints are made by solder coming from a standing wave of liquid solder. The wave soldering process is suitable for the following:

- Through-hole components
- Leaded or leadless SMDs, which are glued to the surface of the printed circuit board

Not all SMDs can be wave soldered. Packages with solder balls, and some leadless packages which have solder lands underneath the body, cannot be wave soldered. Also, leaded SMDs with leads having a pitch smaller than ~0.6 mm cannot be wave soldered, due to an increased probability of bridging.

The reflow soldering process involves applying solder paste to a board, followed by component placement and exposure to a temperature profile. Leaded packages, packages with solder balls, and leadless packages are all reflow solderable.

Key characteristics in both wave and reflow soldering are:

- Board specifications, including the board finish, solder masks and vias
- Package footprints, including solder thieves and orientation
- The moisture sensitivity level of the packages
- Package placement
- Inspection and repair
- Lead-free soldering versus SnPb soldering

18.3 Wave soldering

Key characteristics in wave soldering are:

- Process issues, such as application of adhesive and flux, clinching of leads, board transport, the solder wave parameters, and the time during which components are exposed to the wave
- Solder bath specifications, including temperature and impurities

18.4 Reflow soldering

Key characteristics in reflow soldering are:

- Lead-free versus SnPb soldering; note that a lead-free reflow process usually leads to higher minimum peak temperatures (see [Figure 38](#)) than a SnPb process, thus reducing the process window
- Solder paste printing issues including smearing, release, and adjusting the process window for a mix of large and small components on one board

- Reflow temperature profile; this profile includes preheat, reflow (in which the board is heated to the peak temperature) and cooling down. It is imperative that the peak temperature is high enough for the solder to make reliable solder joints (a solder paste characteristic). In addition, the peak temperature must be low enough that the packages and/or boards are not damaged. The peak temperature of the package depends on package thickness and volume and is classified in accordance with [Table 61](#) and [Table 62](#)

Table 61. SnPb eutectic process (from J-STD-020C)

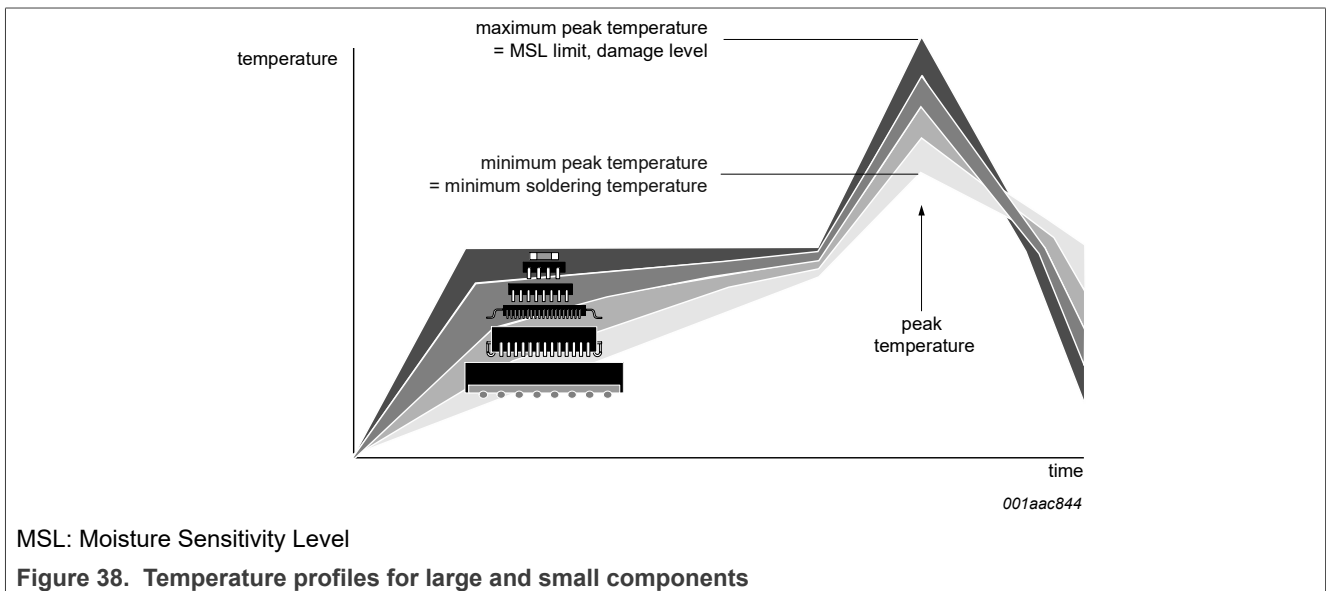
Package thickness (mm)	Package reflow temperature (°C)	
	Volume (mm ³)	
	< 350	≥ 350
< 2.5	235	220
≥ 2.5	220	220

Table 62. Lead-free process (from J-STD-020C)

Package thickness (mm)	Package reflow temperature (°C)		
	Volume (mm ³)		
	< 350	350 to 2 000	> 2 000
< 1.6	260	260	260
1.6 to 2.5	260	250	245
> 2.5	250	245	245

Moisture sensitivity precautions, as indicated on the packing, must be respected at all times.

Studies have shown that small packages reach higher temperatures during reflow soldering, see [Figure 38](#).



For further information on temperature profiles, refer to Application Note *AN10365 "Surface mount reflow soldering description"*.

19 Abbreviations

Table 63. Abbreviations

Acronym	Description
ASK	Amplitude Shift Keying
ASK modulation index	The ASK modulation index is defined as the voltage ratio $(V_{max} - V_{min}) / (V_{max} + V_{min}) \times 100\%$
Automatic device discovery	Detect and recognize any NFC peer devices (NFC Initiator or NFC Target) like: NFC Initiator or NFC Target, ISO/IEC 14443-3, -4 Type A&B PICC, MIFARE Classic and MIFARE Ultralight PICC, ISO/IEC 15693 VICC
BPSK	Bit Phase Shift Keying
Card Emulation	The IC is capable of handling a PICC emulation on the RF interface including part of the protocol management. The application handling is done by the host controller
DEP	Data Exchange Protocol
DSLDO	Dual Supplied LDO
FW	FirmWare
HPD	Hard Power Down
LDO	Low Drop Out
LFO	Low Frequency Oscillator
MISO	Controller In Target Out (for SPI-bus interface)
MOSFET	Metal Oxide Semiconductor Field Effect Transistor
MOSI	Controller Out Target In (for SPI-bus interface)
MSL	Moisture Sensitivity Level
NCI	NFC Controller Interface
NFC	Near Field Communication
NFCC	NFC Controller, PN7160 in this data sheet
NFC Initiator	Initiator as defined in ISO/IEC 18092 or Ecma 340: NFCIP-1 communication
NFCIP	NFC Interface and Protocol
NFC Target	Target as defined in ISO/IEC 18092 or Ecma 340: NFCIP-1 communication
NRZ	Non Return to Zero
NSS	Not Target Select (for SPI-bus interface)
P2P	Peer to Peer
PCD	Proximity Coupling Device. Definition for a Card reader/writer device according to the ISO/IEC 14443 specification or MIFARE
PCD -> PICC	Communication flow between a PCD and a PICC according to the ISO/IEC 14443 specification or MIFARE
PICC	Proximity Interface Coupling Card. Definition for a contactless Smart Card according to the ISO/IEC 14443 specification or MIFARE
PICC-> PCD	Communication flow between a PICC and a PCD according to the ISO/IEC 14443 specification or MIFARE
PMOS	P-channel MOSFET
PMU	Power Management Unit

Table 63. Abbreviations...continued

Acronym	Description
PSL	Parameter SeLection
SCK	Serial Clock (for SPI interface)
SPI-bus	Serial Peripheral Interface bus
TXLDO	Transmitter LDO
UM	User Manual
VCD	Vicinity Coupling Device. Definition for a reader/writer device according to the ISO/IEC 15693 specification
VCO	Voltage Controlled Oscillator
VICC	Vicinity Integrated Circuit Card
WUC	Wake-up Counter

20 References

- [1] NFC Forum Device Requirements V2.0
- [2] NFC Controller Interface (NCI) Technical Specification V2.0
- [3] ISO/IEC 14443 parts 2: 2001 COR 1 2007 (01/11/2007), part 3: 2001 COR 1 2006 (01/09/2006) and part 4: 2nd edition 2008 (15/07/2008)
- [4] I²C Specification, UM10204 rev4 (13/02/2012)
- [5] SPI Motorola de-facto standard described in Motorola 68HC11 data sheet
- [6] UM11577 PN7161 NFC controller user manual
- [7] AN12988 PN7160 hardware design guide
- [8] AN13219 PN7160 antenna design and matching guide
- [9] ISO/IEC 18092 (NFCIP-1) edition, 15/03/2013. This is similar to Ecma 340.
- [10] ISO/IEC15693 part 2: 2nd edition (15/12/2006), part 3: 1st edition (01/04/2001)
- [11] ISO/IEC 21481 (NFCIP-2) edition, 01/07/2012. This is similar to Ecma 352.
- [12] ETSI HCI TS 102 622; UICC - Contactless Front-end (CLF) Interface; Host Controller Interface (HCI) (Release 12)
- [13] Apple Enhanced Contactless Polling Specification: Version 1.1.

21 Revision history

Table 64. Revision history

Document ID	Release date	Data sheet status	Supersedes
PN7160_PN7161 v.4.0	05 September 2024	Product data sheet	PN7160_PN7161 v.3.9
Modifications:	<ul style="list-style-type: none"> • Section 6 "Firmware versions": added new Firmware versions • Section 6.1 "Firmware version and model ID retrieval": added 		
PN7160_PN7161 v.3.9	08 March 2023	Product data sheet	PN7160_PN7161 v.3.8
Modifications:	<ul style="list-style-type: none"> • FeliCa card mode removed • Updated the terms "Master/Slave" to "Controller/Target" to align with the recommendation of the NXP - I2C standards organization. 		
PN7160_PN7161 v.3.8	14 December 2022	Product data sheet	PN7160_PN7161 v.3.7
Modifications:	<ul style="list-style-type: none"> • Section 5 "Quick reference data" and Section 13 "Recommended operating conditions": T_{amb} updated to -30°C 		
PN7160_PN7161 v.3.7	07 December 2022	Product data sheet	PN7160_PN7161 v.3.6
Modifications:	<ul style="list-style-type: none"> • Section 6 "Firmware versions" and Section 7 "Ordering information": updated 		
PN7160_PN7161 v.3.6	05 September 2022	Product data sheet	PN7160_PN7161 v.3.5
Modifications:	<ul style="list-style-type: none"> • Figure 6: Description of Pin 37 updated 		
PN7160_PN7161 v.3.5	19 August 2022	Product data sheet	PN7160_PN7161 v.3.4
Modifications:	<ul style="list-style-type: none"> • Added information about DCDC_EN pin as an alternative to the pin TX_PWR_REQ, see Section 11.4.3.4 "TXLDO: configuration" • Clarified voltage level of pin V_{DD}, see Table 55 		
PN7160_PN7161 v.3.4	04 August 2022	Product data sheet	PN7160_PN7161 v.3.3
Modifications:	<ul style="list-style-type: none"> • Functional description SPI interface: Setting of CPHA and CPOL are fixed during production and cannot be changed by customer. 		
PN7160_PN7161 v.3.3	17 February 2022	Product data sheet	PN7160_PN7161 v.3.2
Modifications:	<ul style="list-style-type: none"> • Section 7 "Ordering information": Table 3 and Table 4 added • Section 6 "Firmware versions": added 		
PN7160_PN7161 v.3.2	30 September 2021	Product data sheet	PN7160_PN7161 v.3.1
Modifications:	<ul style="list-style-type: none"> • Clarified pin naming TVDD vs $V_{DD(TX)}$ 		
PN7160_PN7161 v.3.1	13 September 2021	Product data sheet	PN7160_PN7161 v.3.0
Modifications:	<ul style="list-style-type: none"> • Security status changed into "Company public" 		
PN7160_PN7161 v.3.0	19 August 2021	Product data sheet	PN7160_PN7161 v.2.0
Modifications:	<ul style="list-style-type: none"> • Data sheet status changed into "Product data sheet" • Security status changed into "Company restricted" 		
PN7160_PN7161 v.2.0	09 July 2021	Preliminary data sheet	PN7160 v.1.0
Modifications:	<ul style="list-style-type: none"> • PN7161 included • Section 14 "Thermal characteristics": updated • Some figures updated 		
PN7160 v.1.0	08 March 2021	Objective data sheet	-
	<ul style="list-style-type: none"> • Initial version 		

Legal information

Data sheet status

Document status ^{[1][2]}	Product status ^[3]	Definition
Objective [short] data sheet	Development	This document contains data from the objective specification for product development.
Preliminary [short] data sheet	Qualification	This document contains data from the preliminary specification.
Product [short] data sheet	Production	This document contains the product specification.

[1] Please consult the most recently issued document before initiating or completing a design.

[2] The term 'short data sheet' is explained in section "Definitions".

[3] The product status of device(s) described in this document may have changed since this document was published and may differ in case of multiple devices. The latest product status information is available on the Internet at URL <https://www.nxp.com>.

Definitions

Draft — A draft status on a document indicates that the content is still under internal review and subject to formal approval, which may result in modifications or additions. NXP Semiconductors does not give any representations or warranties as to the accuracy or completeness of information included in a draft version of a document and shall have no liability for the consequences of use of such information.

Short data sheet — A short data sheet is an extract from a full data sheet with the same product type number(s) and title. A short data sheet is intended for quick reference only and should not be relied upon to contain detailed and full information. For detailed and full information see the relevant full data sheet, which is available on request via the local NXP Semiconductors sales office. In case of any inconsistency or conflict with the short data sheet, the full data sheet shall prevail.

Product specification — The information and data provided in a Product data sheet shall define the specification of the product as agreed between NXP Semiconductors and its customer, unless NXP Semiconductors and customer have explicitly agreed otherwise in writing. In no event however, shall an agreement be valid in which the NXP Semiconductors product is deemed to offer functions and qualities beyond those described in the Product data sheet.

Disclaimers

Limited warranty and liability — Information in this document is believed to be accurate and reliable. However, NXP Semiconductors does not give any representations or warranties, expressed or implied, as to the accuracy or completeness of such information and shall have no liability for the consequences of use of such information. NXP Semiconductors takes no responsibility for the content in this document if provided by an information source outside of NXP Semiconductors.

In no event shall NXP Semiconductors be liable for any indirect, incidental, punitive, special or consequential damages (including - without limitation - lost profits, lost savings, business interruption, costs related to the removal or replacement of any products or rework charges) whether or not such damages are based on tort (including negligence), warranty, breach of contract or any other legal theory.

Notwithstanding any damages that customer might incur for any reason whatsoever, NXP Semiconductors' aggregate and cumulative liability towards customer for the products described herein shall be limited in accordance with the Terms and conditions of commercial sale of NXP Semiconductors.

Right to make changes — NXP Semiconductors reserves the right to make changes to information published in this document, including without limitation specifications and product descriptions, at any time and without notice. This document supersedes and replaces all information supplied prior to the publication hereof.

Suitability for use — NXP Semiconductors products are not designed, authorized or warranted to be suitable for use in life support, life-critical or safety-critical systems or equipment, nor in applications where failure or malfunction of an NXP Semiconductors product can reasonably be expected to result in personal injury, death or severe property or environmental damage. NXP Semiconductors and its suppliers accept no liability for inclusion and/or use of NXP Semiconductors products in such equipment or applications and therefore such inclusion and/or use is at the customer's own risk.

Applications — Applications that are described herein for any of these products are for illustrative purposes only. NXP Semiconductors makes no representation or warranty that such applications will be suitable for the specified use without further testing or modification.

Customers are responsible for the design and operation of their applications and products using NXP Semiconductors products, and NXP Semiconductors accepts no liability for any assistance with applications or customer product design. It is customer's sole responsibility to determine whether the NXP Semiconductors product is suitable and fit for the customer's applications and products planned, as well as for the planned application and use of customer's third party customer(s). Customers should provide appropriate design and operating safeguards to minimize the risks associated with their applications and products.

NXP Semiconductors does not accept any liability related to any default, damage, costs or problem which is based on any weakness or default in the customer's applications or products, or the application or use by customer's third party customer(s). Customer is responsible for doing all necessary testing for the customer's applications and products using NXP Semiconductors products in order to avoid a default of the applications and the products or of the application or use by customer's third party customer(s). NXP does not accept any liability in this respect.

Limiting values — Stress above one or more limiting values (as defined in the Absolute Maximum Ratings System of IEC 60134) will cause permanent damage to the device. Limiting values are stress ratings only and (proper) operation of the device at these or any other conditions above those given in the Recommended operating conditions section (if present) or the Characteristics sections of this document is not warranted. Constant or repeated exposure to limiting values will permanently and irreversibly affect the quality and reliability of the device.

Terms and conditions of commercial sale — NXP Semiconductors products are sold subject to the general terms and conditions of commercial sale, as published at <https://www.nxp.com/profile/terms>, unless otherwise agreed in a valid written individual agreement. In case an individual agreement is concluded only the terms and conditions of the respective agreement shall apply. NXP Semiconductors hereby expressly objects to applying the customer's general terms and conditions with regard to the purchase of NXP Semiconductors products by customer.

No offer to sell or license — Nothing in this document may be interpreted or construed as an offer to sell products that is open for acceptance or the grant, conveyance or implication of any license under any copyrights, patents or other industrial or intellectual property rights.

Quick reference data — The Quick reference data is an extract of the product data given in the Limiting values and Characteristics sections of this document, and as such is not complete, exhaustive or legally binding.

Export control — This document as well as the item(s) described herein may be subject to export control regulations. Export might require a prior authorization from competent authorities.

Suitability for use in non-automotive qualified products — Unless this document expressly states that this specific NXP Semiconductors product is automotive qualified, the product is not suitable for automotive use. It is neither qualified nor tested in accordance with automotive testing or application requirements. NXP Semiconductors accepts no liability for inclusion and/or use of non-automotive qualified products in automotive equipment or applications.

In the event that customer uses the product for design-in and use in automotive applications to automotive specifications and standards, customer (a) shall use the product without NXP Semiconductors' warranty of the product for such automotive applications, use and specifications, and (b) whenever customer uses the product for automotive applications beyond NXP Semiconductors' specifications such use shall be solely at customer's own risk, and (c) customer fully indemnifies NXP Semiconductors for any liability, damages or failed product claims resulting from customer design and use of the product for automotive applications beyond NXP Semiconductors' standard warranty and NXP Semiconductors' product specifications.

HTML publications — An HTML version, if available, of this document is provided as a courtesy. Definitive information is contained in the applicable document in PDF format. If there is a discrepancy between the HTML document and the PDF document, the PDF document has priority.

Translations — A non-English (translated) version of a document, including the legal information in that document, is for reference only. The English version shall prevail in case of any discrepancy between the translated and English versions.

Security — Customer understands that all NXP products may be subject to unidentified vulnerabilities or may support established security standards or specifications with known limitations. Customer is responsible for the design and operation of its applications and products throughout their lifecycles to reduce the effect of these vulnerabilities on customer's applications and products. Customer's responsibility also extends to other open and/or proprietary technologies supported by NXP products for use in customer's applications. NXP accepts no liability for any vulnerability. Customer should regularly check security updates from NXP and follow up appropriately.

Customer shall select products with security features that best meet rules, regulations, and standards of the intended application and make the ultimate design decisions regarding its products and is solely responsible for compliance with all legal, regulatory, and security related requirements concerning its products, regardless of any information or support that may be provided by NXP.

NXP has a Product Security Incident Response Team (PSIRT) (reachable at PSIRT@nxp.com) that manages the investigation, reporting, and solution release to security vulnerabilities of NXP products.

NXP B.V. — NXP B.V. is not an operating company and it does not distribute or sell products.

Licenses

Purchase of NXP ICs with NFC technology — Purchase of an NXP Semiconductors IC that complies with one of the Near Field Communication (NFC) standards ISO/IEC 18092 and ISO/IEC 21481 does not convey an implied license under any patent right infringed by implementation of any of those standards. Purchase of NXP Semiconductors IC does not include a license to any NXP patent (or other IP right) covering combinations of those products with other products, whether hardware or software.

Trademarks

Notice: All referenced brands, product names, service names, and trademarks are the property of their respective owners.

NXP — wordmark and logo are trademarks of NXP B.V.

Tables

Tab. 1.	Quick reference data	5	Tab. 37.	Power-up timings	45
Tab. 2.	Ordering information	8	Tab. 38.	Power-down timings	45
Tab. 3.	Product variants PN7160	8	Tab. 39.	Download mode timings	46
Tab. 4.	Product variants PN7161	9	Tab. 40.	High-speed mode I2C-bus timings specification	46
Tab. 5.	Marking code	10	Tab. 41.	Fast mode I2C-bus timings specification	46
Tab. 6.	Marking codes	11	Tab. 42.	SPI-bus timings specification	47
Tab. 7.	PN7160 pin description	13	Tab. 43.	Active load modulation phase error	48
Tab. 8.	System power modes description	16	Tab. 44.	Input clock characteristics on NFC_CLK_ XTAL1 when using PLL	48
Tab. 9.	System power modes configuration	17	Tab. 45.	Pin characteristics for NFC_CLK_XTAL1 when PLL input	48
Tab. 10.	System power modes description	17	Tab. 46.	Pin characteristics for 27.12 MHz crystal oscillator	48
Tab. 11.	PN7160 power states	17	Tab. 47.	PLL accuracy	48
Tab. 12.	Functional modes in active state	18	Tab. 48.	VEN input pin characteristics	48
Tab. 13.	Functionality for I2C-bus interface	21	Tab. 49.	Output pin characteristics for IRQ, CLK_ REQ	49
Tab. 14.	I2C-bus interface addressing	21	Tab. 50.	Output pin characteristics for TX_PWR_ REQ	49
Tab. 15.	SPI-bus configuration	22	Tab. 51.	Output pin characteristics for DCDC_EN	50
Tab. 16.	Functionality for SPI-bus interface	22	Tab. 52.	Input pin characteristics for DWL_REQ, WKUP_REQ	50
Tab. 17.	Crystal requirements	24	Tab. 53.	Input pin characteristics for RXN and RXP	50
Tab. 18.	PLL input requirements	24	Tab. 54.	Electrical characteristics of ANT1 and ANT2	51
Tab. 19.	TXLDO	26	Tab. 55.	Electrical characteristics of VDD(HF) and VDDD	51
Tab. 20.	Configurations using TXLDO	29	Tab. 56.	Output pin characteristics for TX1 and TX2	52
Tab. 21.	Communication overview for NFC Forum T1T, T2T and T4T type A R/W mode	34	Tab. 57.	Output resistance for TX1 and TX2	52
Tab. 22.	Communication overview for NFC Forum T3T R/W mode, FeliCa communication mode	35	Tab. 58.	Input pin characteristics for HIF1 (used as SPI-bus NSS, used as I2C-bus address 0), HIF2 (used as SPI-bus MOSI, used as I2C- bus address 1), HIF4 (used as SPI-bus SCK)	52
Tab. 23.	Communication overview for NFC Forum T4T type B R/W mode	36	Tab. 59.	Pin characteristics for HIF3 (used as I2C- bus SDA) and HIF4 (used as I2C-bus SCL)	52
Tab. 24.	Communication overview for NFC Forum T5T R/W mode	36	Tab. 60.	Pin characteristics for HIF3 (used as SPI- bus MISO)	53
Tab. 25.	Overview for Active communication mode	38	Tab. 61.	SnPb eutectic process (from J-STD-020C)	57
Tab. 26.	Overview for Passive communication mode	39	Tab. 62.	Lead-free process (from J-STD-020C)	57
Tab. 27.	Overview for NFC Forum T4T, ISO/IEC 14443A card mode	40	Tab. 63.	Abbreviations	58
Tab. 28.	Overview for NFC Forum T4T, ISO/IEC 14443B card mode	40	Tab. 64.	Revision history	61
Tab. 29.	Limiting values	42			
Tab. 30.	Operating conditions	43			
Tab. 31.	Thermal characteristics VFBGA64 package	44			
Tab. 32.	Thermal characteristics HVQFN40 package	44			
Tab. 33.	Junction Temperature	44			
Tab. 34.	Thermal Shutdown Temperature	44			
Tab. 35.	Current consumption characteristics for operating ambient temperature range	45			
Tab. 36.	Reset timing	45			

Figures

Fig. 1.	PN7160 transmission modes	2	Fig. 22.	VDD(PAD) and VBAT are set up in the same time	31
Fig. 2.	PN7160 package marking (top view)	10	Fig. 23.	VDD(PAD) is set up or cut-off after PN7160 has been enabled	32
Fig. 3.	PN7160 Package marking HVQFN40 (top view)	11	Fig. 24.	PN7160 power-down sequence	32
Fig. 4.	PN7160 block diagram	12	Fig. 25.	PN7160 download mode sequence	33
Fig. 5.	PN7160 pinning VFBGA64 (bottom view)	13	Fig. 26.	R/W mode for NFC Forum T1T, T2T and T4T type A communication diagram	34
Fig. 6.	PN7160 pinning HVQFN40	13	Fig. 27.	R/W mode for NFC Forum T3T communication diagram	35
Fig. 7.	PN7160 connection in mobile system	16	Fig. 28.	R/W mode for NFC forumT4T type B communication diagram	35
Fig. 8.	System power mode diagram	17	Fig. 29.	R/W mode for NFC Forum T5T communication diagram	36
Fig. 9.	Polling loop: all phases enabled	19	Fig. 30.	NFCIP-1 communication mode	37
Fig. 10.	Polling loop: low-power RF polling	20	Fig. 31.	Active communication mode	38
Fig. 11.	27.12 MHz crystal oscillator connection	23	Fig. 32.	Passive communication mode	39
Fig. 12.	Input reference phase noise characteristics	24	Fig. 33.	I2C-bus timings	46
Fig. 13.	PMU functional diagram	26	Fig. 34.	SPI-bus timing diagram	47
Fig. 14.	VDD(UP) = VBAT	27	Fig. 35.	Output timing measurement condition	49
Fig. 15.	VDD(TX) behavior when supplied from VBAT	27	Fig. 36.	Package outline	54
Fig. 16.	VDD(TX) behavior when PN7160 is in Standby state	28	Fig. 37.	Package outline, HVQFN40, SOT618-1, MSL3	55
Fig. 17.	VDD(UP) up to 5.8 V, VBAT up to 5.5 V	28	Fig. 38.	Temperature profiles for large and small components	57
Fig. 18.	VDD(TX) behavior when PN7160 is supply using external supply on VDD(UP)	28			
Fig. 19.	Internal rectifier circuit	29			
Fig. 20.	Resetting PN7160 via VEN pin	30			
Fig. 21.	VBAT is set up before VDD(PAD)	31			

Contents

1	Introduction	1	11.5	Reset and download concept	30
2	General description	2	11.5.1	Resetting PN7160	30
3	Features and benefits	3	11.5.2	Power-up sequences	30
4	Applications	4	11.5.2.1	VBAT is set up before VDD(PAD)	30
5	Quick reference data	5	11.5.2.2	VDD(PAD) and VBAT are set up at the same time	31
6	Firmware versions	6	11.5.2.3	PN7160 has been enabled before VDD(PAD) is set up or before VDD(PAD) has been cut-off	31
6.1	Firmware version and model ID retrieval	6	11.5.3	Power-down sequences	32
6.2	Version 12.50.0E	6	11.5.4	Download mode	32
6.3	Version 12.50.0D	6	11.6	Contactless Interface Unit	33
6.4	Version 12.50.0C	6	11.6.1	Reader/Writer communication modes	33
6.5	Version 12.50.0B	7	11.6.1.1	R/W mode for NFC Forum Type 1 and 2 Tags and Type 4 Tag type A	33
6.6	Version 12.50.0A	7	11.6.1.2	R/W mode for NFC Forum Type 3 Tag, FeliCa communication mode	34
6.7	Version 12.50.09	7	11.6.1.3	R/W mode for NFC Forum type 4 Tag (T4T) type B	35
6.8	Version 12.50.08	7	11.6.1.4	R/W mode for NFC Forum Type 5 Tag	36
6.9	Version 12.50.07	7	11.6.2	ISO/IEC 18092, Ecma 340 NFCIP-1 communication modes	37
6.10	Version 12.50.06	7	11.6.2.1	Active communication mode	38
6.11	Version 12.50.05	7	11.6.2.2	Passive communication mode	38
7	Ordering information	8	11.6.2.3	NFCIP-1 framing and coding	39
8	Marking	10	11.6.2.4	NFCIP-1 protocol support	40
8.1	Marking VFBGA64	10	11.6.3	Card mode	40
8.2	Marking HVQFN40	11	11.6.3.1	NFC Forum T4T, ISO/IEC 14443A	40
9	Block diagram	12	11.6.3.2	NFC Forum T4T, ISO/IEC 14443B card mode	40
10	Pinning information	13	11.6.4	Frequency interoperability	41
10.1	Pinning	13	12	Limiting values	42
11	Functional description	16	13	Recommended operating conditions	43
11.1	System modes	16	14	Thermal characteristics	44
11.1.1	System power modes	16	15	Characteristics	45
11.1.2	PN7160 power states	17	15.1	Current consumption characteristics	45
11.1.2.1	Hard Power Down (HPD) state	18	15.2	Functional block electrical characteristics	45
11.1.2.2	Standby state	18	15.2.1	Reset via VEN	45
11.1.2.3	Active state	18	15.2.2	Power-up timings	45
11.1.2.4	Polling loop	19	15.2.3	Power-down timings	45
11.2	Host interfaces	20	15.2.4	Download mode timings	46
11.2.1	I2C-bus interface	21	15.2.5	I2C-bus timings	46
11.2.1.1	I2C-bus configuration	21	15.2.6	SPI-bus timings	47
11.2.2	Serial Peripheral Interface bus (SPI-bus)	22	15.2.7	Active load modulation phase	48
11.2.2.1	Features	22	15.3	Pin characteristics	48
11.2.2.2	SPI-bus configuration options	22	15.3.1	NFC_CLK_XTAL1 and XTAL2 pins characteristics	48
11.2.2.3	SPI-bus functional description	22	15.3.2	VEN input pin characteristics	48
11.3	PN7160 clock concept	23	15.3.3	Output pin characteristics for IRQ, CLK_ REQ	49
11.3.1	27.12 MHz quartz oscillator	23	15.3.4	Output pin characteristics for TX_PWR_ REQ	49
11.3.2	Integrated PLL to make use of external clock	24	15.3.5	Output pin characteristics for DCDC_EN	50
11.3.3	Low-power 40 MHz ± 2.5 % oscillator	25	15.3.6	Input pin characteristics for DWL_REQ, WKUP_REQ	50
11.3.4	Low-power 370 kHz oscillator	25	15.3.7	Input pin characteristics for RXN and RXP	50
11.4	Power concept	25			
11.4.1	PMU functional description	25			
11.4.2	DSLDO: Dual Supply LDO	26			
11.4.3	TXLDO	26			
11.4.3.1	Configuration 1: the battery voltage is directly used to generate the RF field	26			
11.4.3.2	Configuration 2: an extra external voltage is used to generate the RF field	28			
11.4.3.3	TXLDO limiter	29			
11.4.3.4	TXLDO: configuration	29			
11.4.4	Very low-power RF field detector	29			

15.3.8 ANT1 and ANT2 pin characteristics51

15.3.9 VDD(HF) and VDDD pins characteristics 51

15.3.10 Output pin characteristics for TX1 and TX2 52

15.3.11 Input pin characteristics for HIF1 (used as SPI-bus NSS, used as I2C-bus address 0), HIF2 (used as SPI-bus MOSI, used as I2C-bus address 1), HIF4 (used as SPI-bus SCK) 52

15.3.12 Pin characteristics for HIF3 (used as I2C-bus SDA) and HIF4 (used as I2C-bus SCL) 52

15.3.13 Pin characteristics for HIF3 (used as SPI-bus MISO) 53

16 Package outline VFBGA6454

17 Package outline HVQFN4055

18 Soldering of SMD packages 56

18.1 Introduction to soldering 56

18.2 Wave and reflow soldering 56

18.3 Wave soldering 56

18.4 Reflow soldering 56

19 Abbreviations 58

20 References60

21 Revision history61

Legal information62

Please be aware that important notices concerning this document and the product(s) described herein, have been included in section 'Legal information'.
