



Ethernet PHY Evaluation Kit

TJA11xx-EVB-KIT

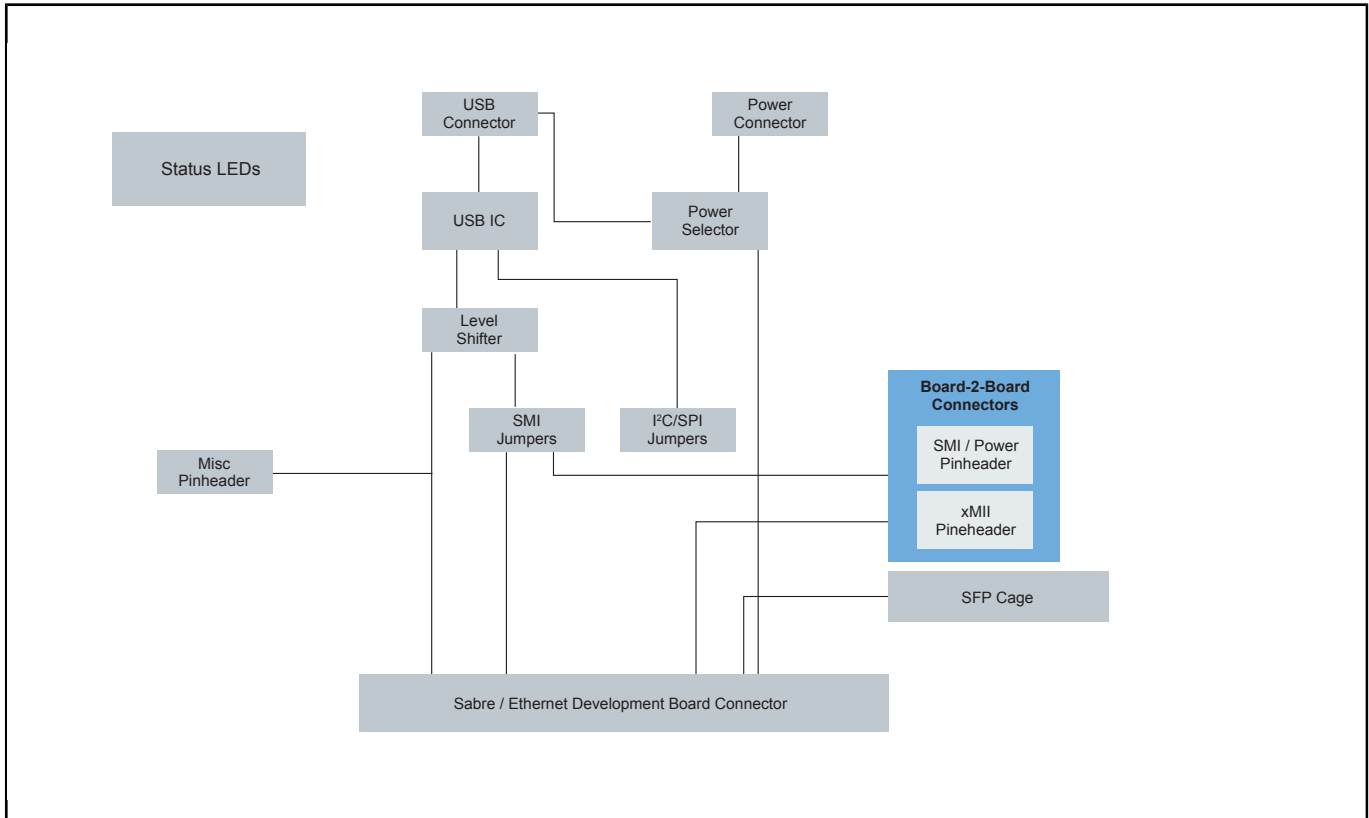
Last Updated: Jun 13, 2024

Our ethernet PHY evaluation kit follows a common board strategy. The kit consist of two parts, namely TJA11xx-EVB and TJA11xx-SDBx. The TJA11xx-EVB, also referred to as the base board, is common between the PHY transceivers i.e. TJA1104 and TJA1120. Whereas TJA11xx-SDBx, also called the SABRE card, is specific to the ethernet PHY.

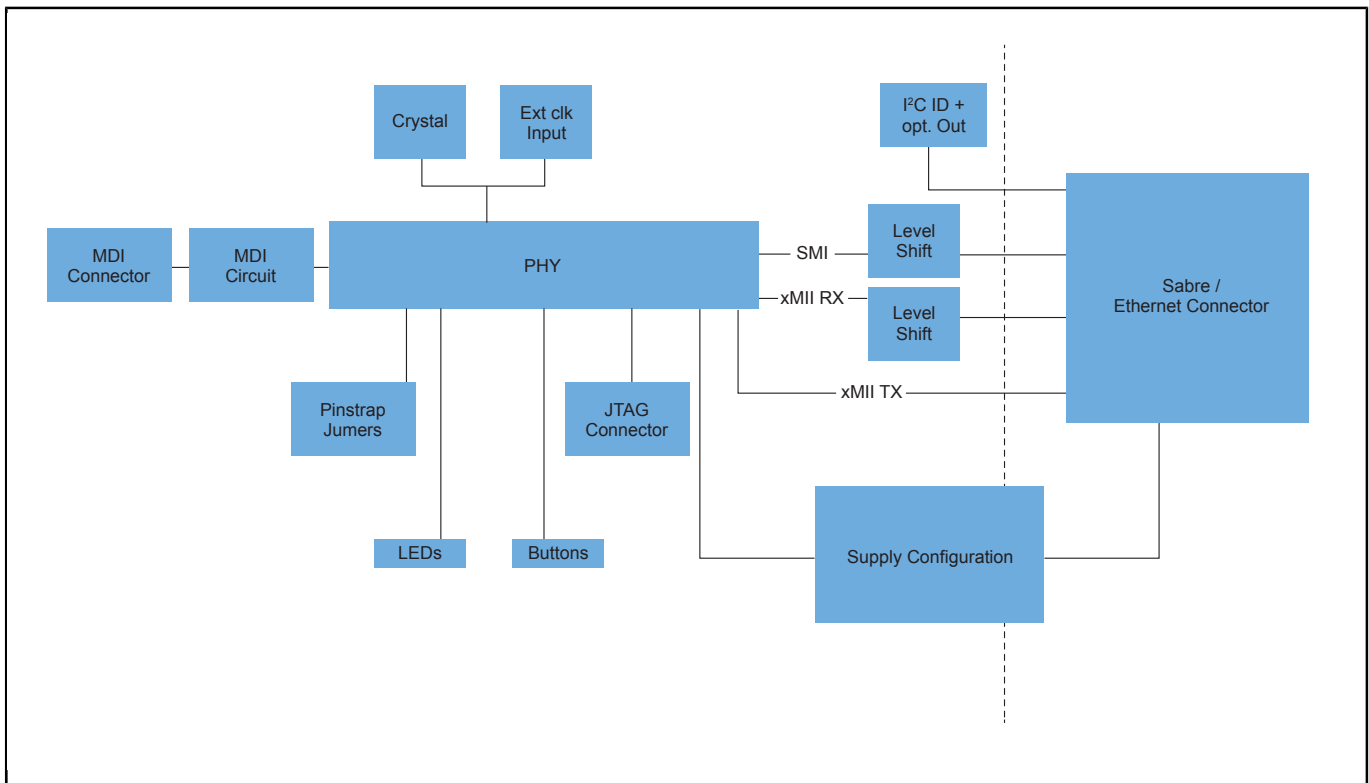
To use the kit, the TJA11xx-SDBx SABRE card must be plugged on top of TJA11xx-EVB.

Moreover, depending on your requirements, [TJA11xx-SDBx](#) and [TJA11xx-EVB](#) boards can also be ordered individually.

TJA11xx-EVB Block Diagram



TJA11xx-SDBx Block Diagram



View additional information for [Ethernet PHY Evaluation Kit](#).

Note: The information on this document is subject to change without notice.

www.nxp.com

NXP and the NXP logo are trademarks of NXP B.V. All other product or service names are the property of their respective owners. The related technology may be protected by any or all of patents, copyrights, designs and trade secrets. All rights reserved. © 2024 NXP B.V.