



QorIQ® T1024 Development Board

T1024RDB

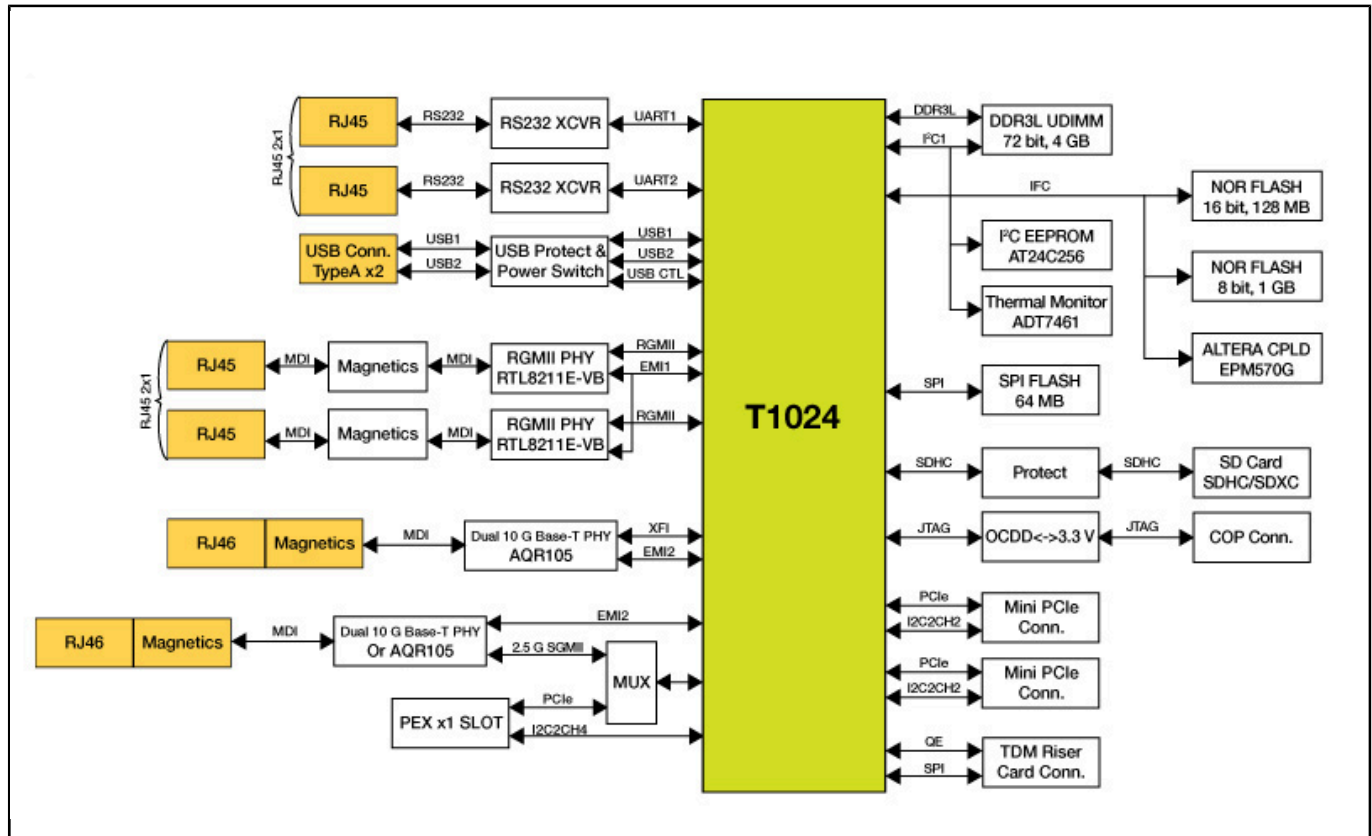
Last Updated: Dec 18, 2023

The QorIQ® T1024 reference design board (T1024RDB) is a high-performance evaluation and development platform supporting the QorIQ T1024 and T1014 communications processors built on Power Architecture® technology.

Intended for evaluation of the QorIQ T1 family of communications processors in networking and Ethernet-centric applications, such as mixed control and data plane in fixed routers, switches, Internet access devices, firewall and other packet-filtering applications, plus general-purpose embedded computing.

The QorIQ T1024RDB can help shorten time to market and serves as a reference for hardware and software development, debugging and performance evaluation prior to production.

T1024RDB-BD Block Diagram



View additional information for [QorIQ® T1024 Development Board](#).

Note: The information on this document is subject to change without notice.

www.nxp.com

NXP and the NXP logo are trademarks of NXP B.V. All other product or service names are the property of their respective owners. The related technology may be protected by any or all of patents, copyrights, designs and trade secrets. All rights reserved. © 2024 NXP B.V.