



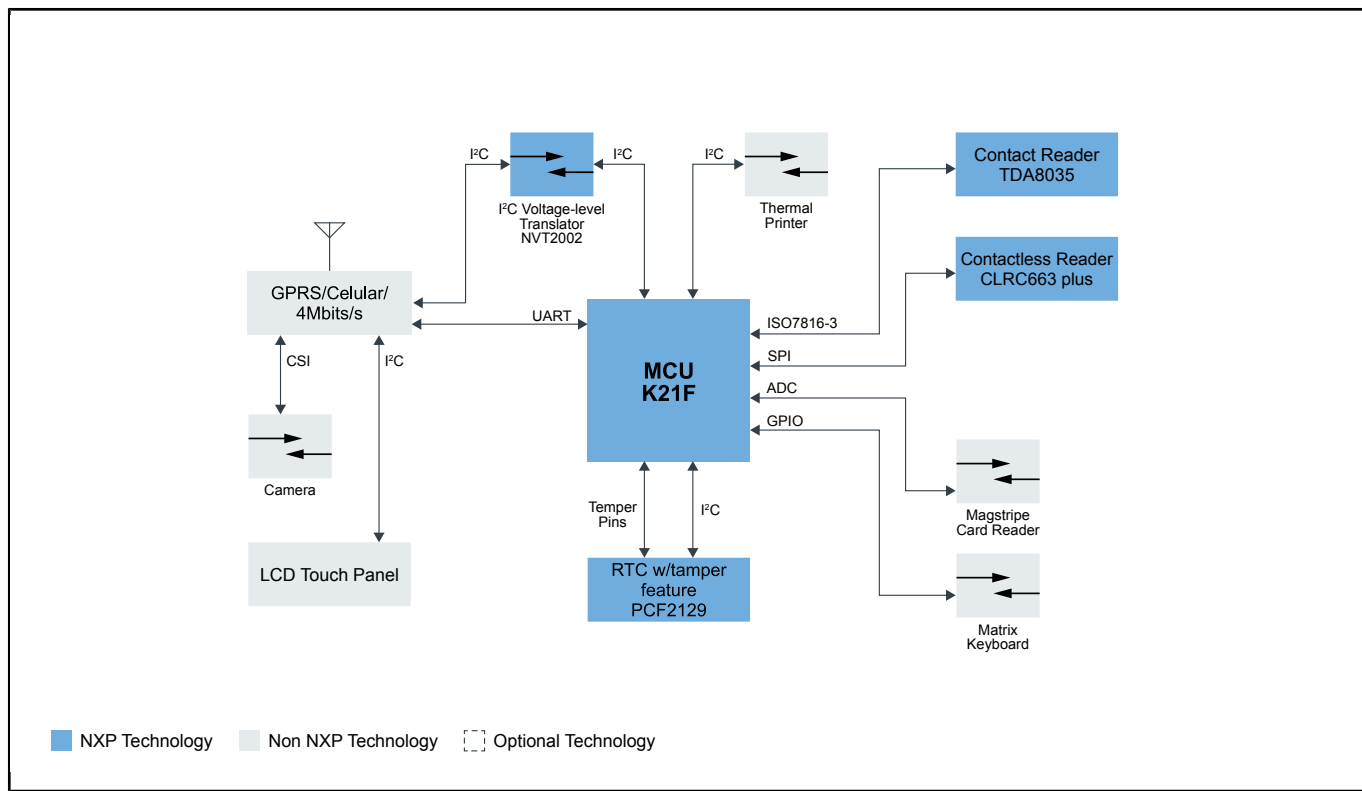
Smart Point of Sale

SMART-POS

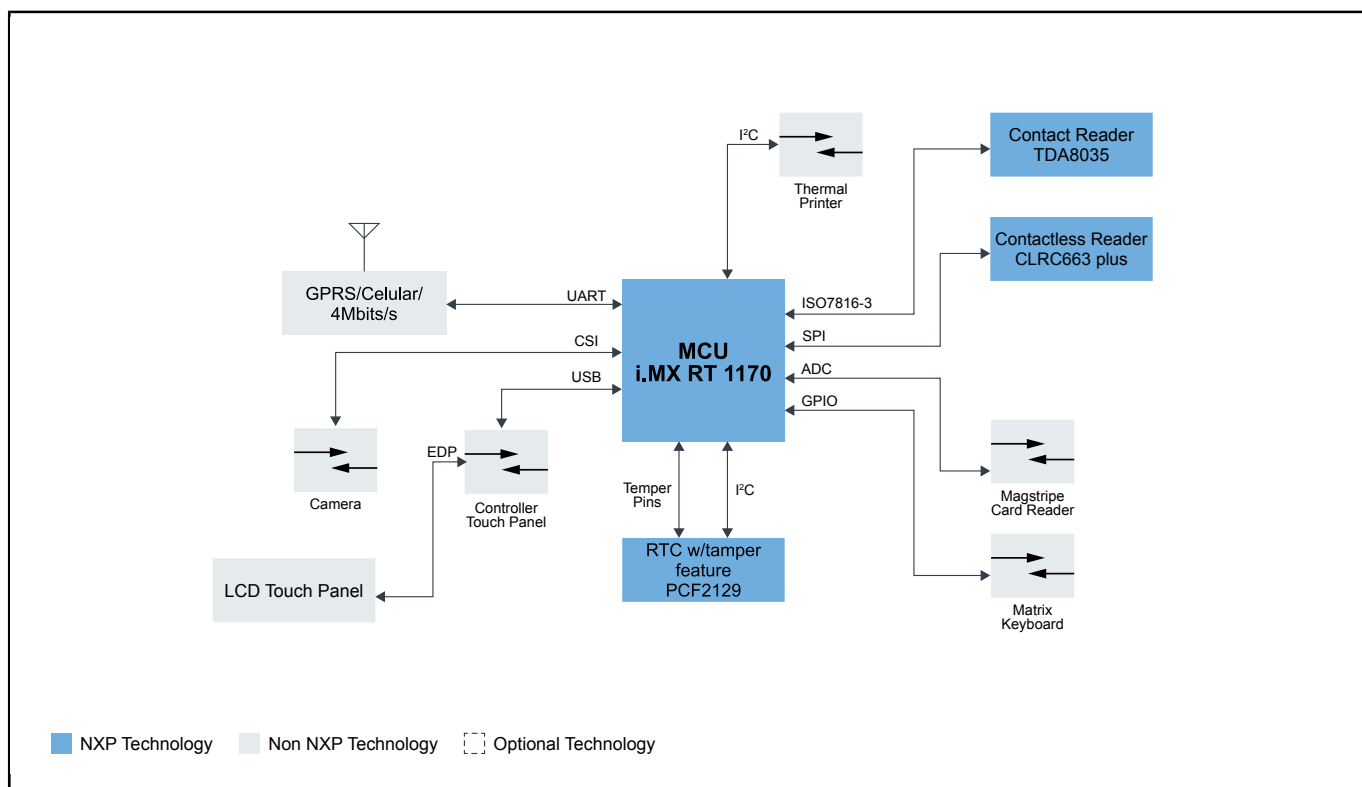
Last Updated: Apr 23, 2024

NXP secure MCUs and MPUs paired with our contact and contactless readers provide customers with state-of-the-art, comprehensive, pre-certified PCI and EMVCo payment acceptance capabilities that will ease the development process and speed time to market for payment solutions. This solution implements NXP products for the software and hardware application and a scalable portfolio for reader interfaces and secure controllers/processors to address a wide range of POS solutions.

K12F Smart POS Block Diagram



i.MX RT Smart POS Block Diagram



View additional information for [Smart Point of Sale](#).

Note: The information on this document is subject to change without notice.

www.nxp.com

NXP and the NXP logo are trademarks of NXP B.V. All other product or service names are the property of their respective owners. The related technology may be protected by any or all of patents, copyrights, designs and trade secrets. All rights reserved. © 2024 NXP B.V.