



# Smart Battery Charger Based on LPC860 MCUs

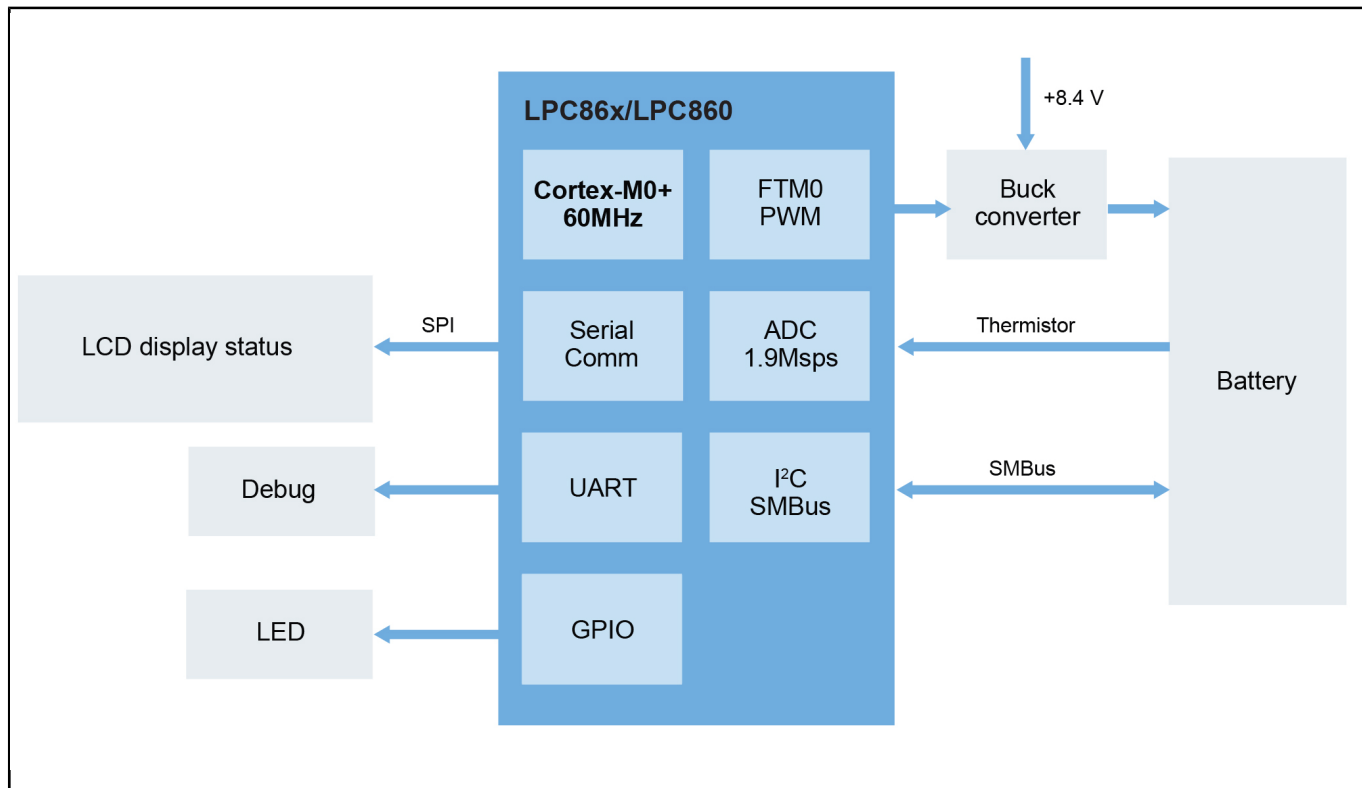
## SBC-LPC860-MCU

Last Updated: Apr 29, 2024

Based on NXP's LPC860 cost-effective MCU, the smart battery charger provides customers with a reference design for smart battery charging applications that can be used for mobile devices such as a hand-held printer, interphone and more.

For more detail, please visit [AN13864](#).

## Smart Battery Charger Block Diagram



View additional information for [Smart Battery Charger Based on LPC860 MCUs](#).

**Note:** The information on this document is subject to change without notice.

**www.nxp.com**

NXP and the NXP logo are trademarks of NXP B.V. All other product or service names are the property of their respective owners. The related technology may be protected by any or all of patents, copyrights, designs and trade secrets. All rights reserved. © 2024 NXP B.V.