



# Ultra Low-Voltage Translating 22-Bit SPI I/O Expander with Agile I/O Features, Interrupt Output and Reset Evaluation Board

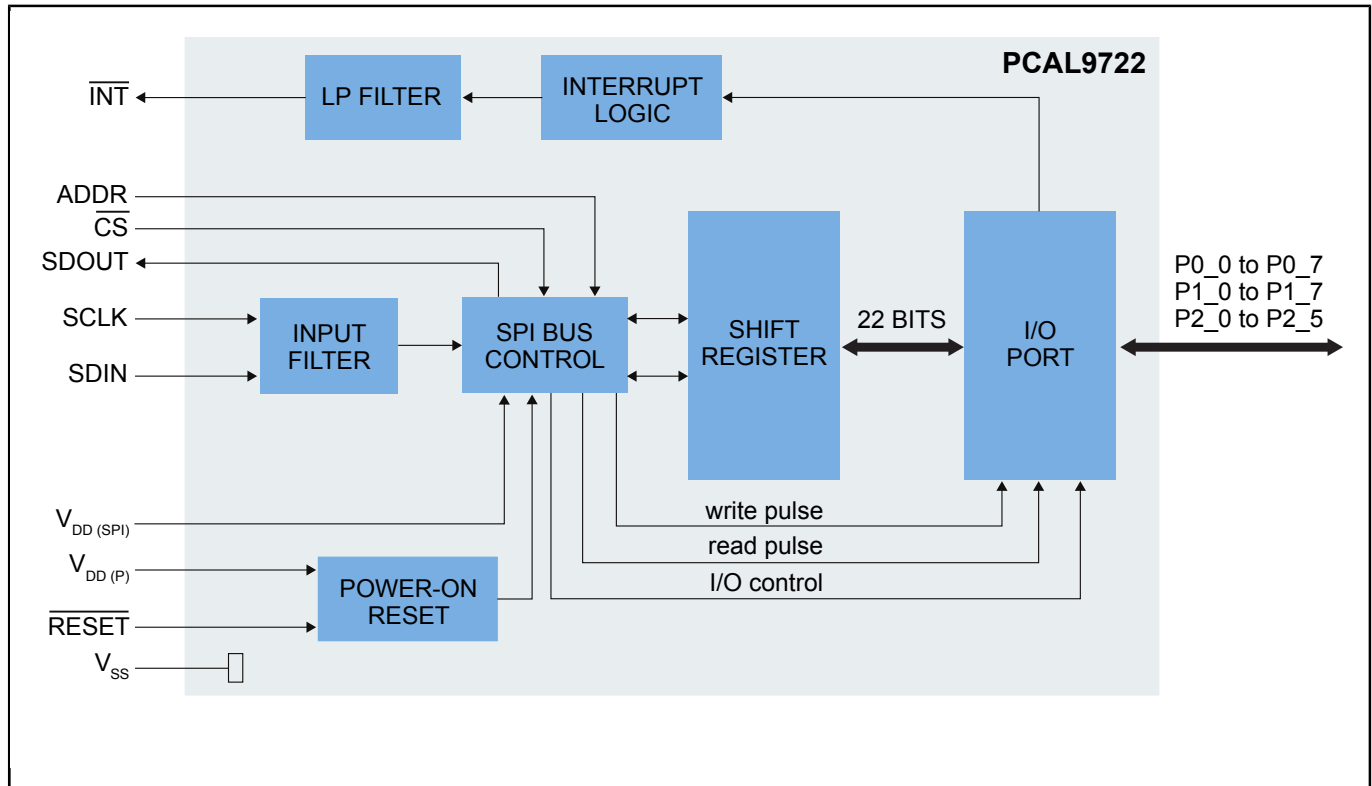
## PCAL9722HN-ARD

Last Updated: Aug 1, 2024

Ultra low-voltage translating 22-bit SPI I/O expander with Agile I/O features, interrupt output and reset evaluation board.

The NXP analog product development boards provide an easy-to-use platform for evaluating NXP products. The boards support a range of analog, mixed-signal and power solutions. They incorporate monolithic integrated circuits and system-in-package devices that use proven high-volume technology. NXP products offer longer battery life, a smaller form factor, reduced component counts, lower cost and improved performance in powering state-of-the-art systems.

## PCAL9722 Block Diagram



View additional information for [Ultra Low-Voltage Translating 22-Bit SPI I/O Expander with Agile I/O Features, Interrupt Output and Reset Evaluation Board](#).

**Note:** The information on this document is subject to change without notice.

**www.nxp.com**

NXP and the NXP logo are trademarks of NXP B.V. All other product or service names are the property of their respective owners. The related technology may be protected by any or all of patents, copyrights, designs and trade secrets. All rights reserved. © 2024 NXP B.V.