



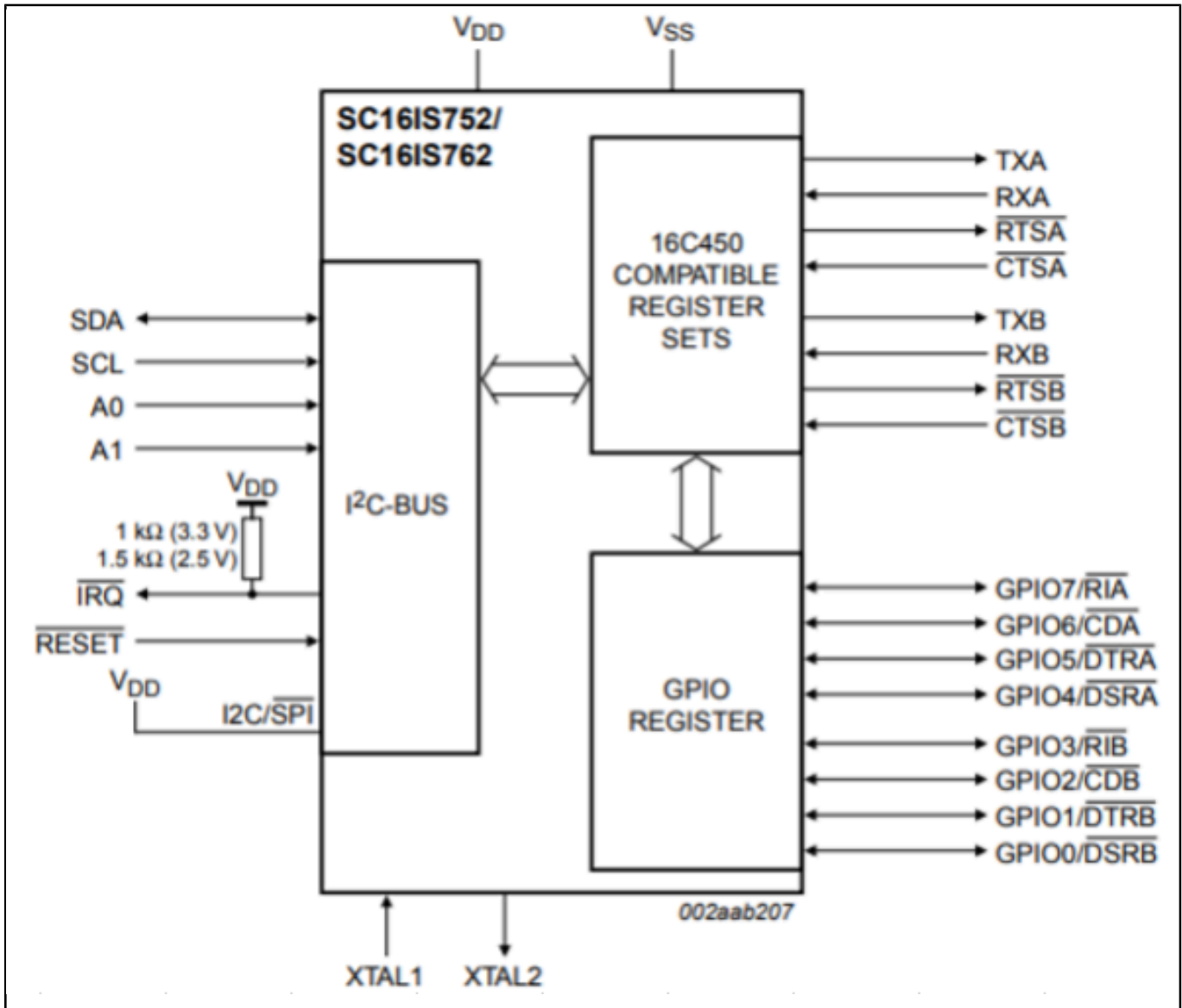
# SC16IS752 and SC16IS762 Demo Board

## OM6273

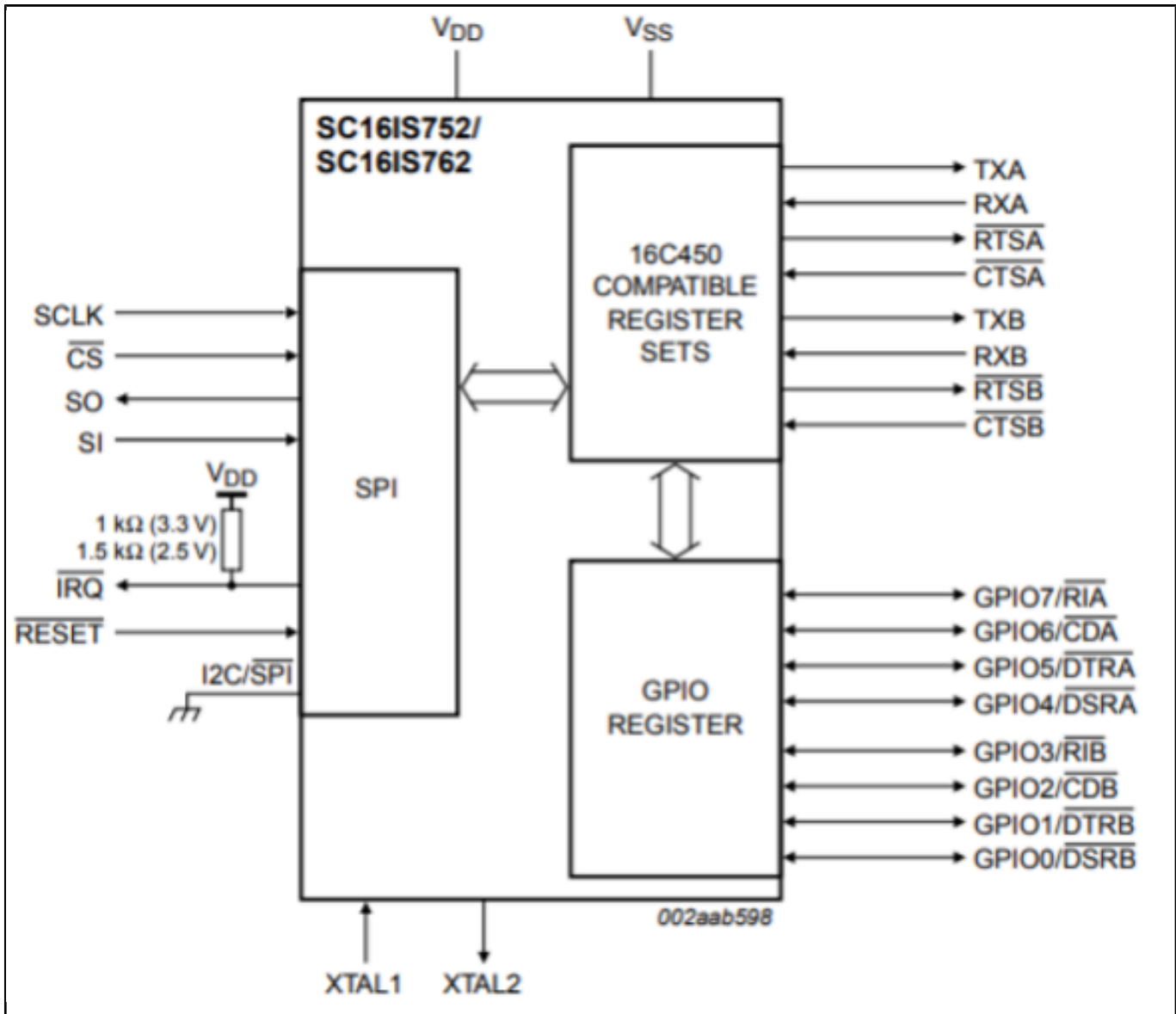
Last Updated: Jun 1, 2024

The OM6273 is the demo board for the SC16IS752/762. The SC16IS752/SC16IS762 is an I<sup>2</sup>C-bus/SPI bus interface to a dual-channel high-performance UART offering data rates up to 5 Mbit/s, low operating and sleeping current; it also provides the application with 8 additional programmable I/O pins. The device comes in very small HVQFN32 and TSSOP28 packages, which makes it ideally suitable for hand-held, battery-operated applications. This chip enables seamless protocol conversion from I<sup>2</sup>C-bus/SPI to RS-232/RS-485 and is fully bidirectional.

### I<sup>2</sup>-Bus Interface SC16IS752/762 Block Diagram



### SPI Interface SC16IS752/762 Block Diagram



View additional information for [SC16IS752 and SC16IS762 Demo Board](#).

Note: The information on this document is subject to change without notice.

[www.nxp.com](http://www.nxp.com)

NXP and the NXP logo are trademarks of NXP B.V. All other product or service names are the property of their respective owners. The related technology may be protected by any or all of patents, copyrights, designs and trade secrets. All rights reserved. © 2024 NXP B.V.