



# Trimension™ NCJ29D5: UWB IC for Automotive Applications

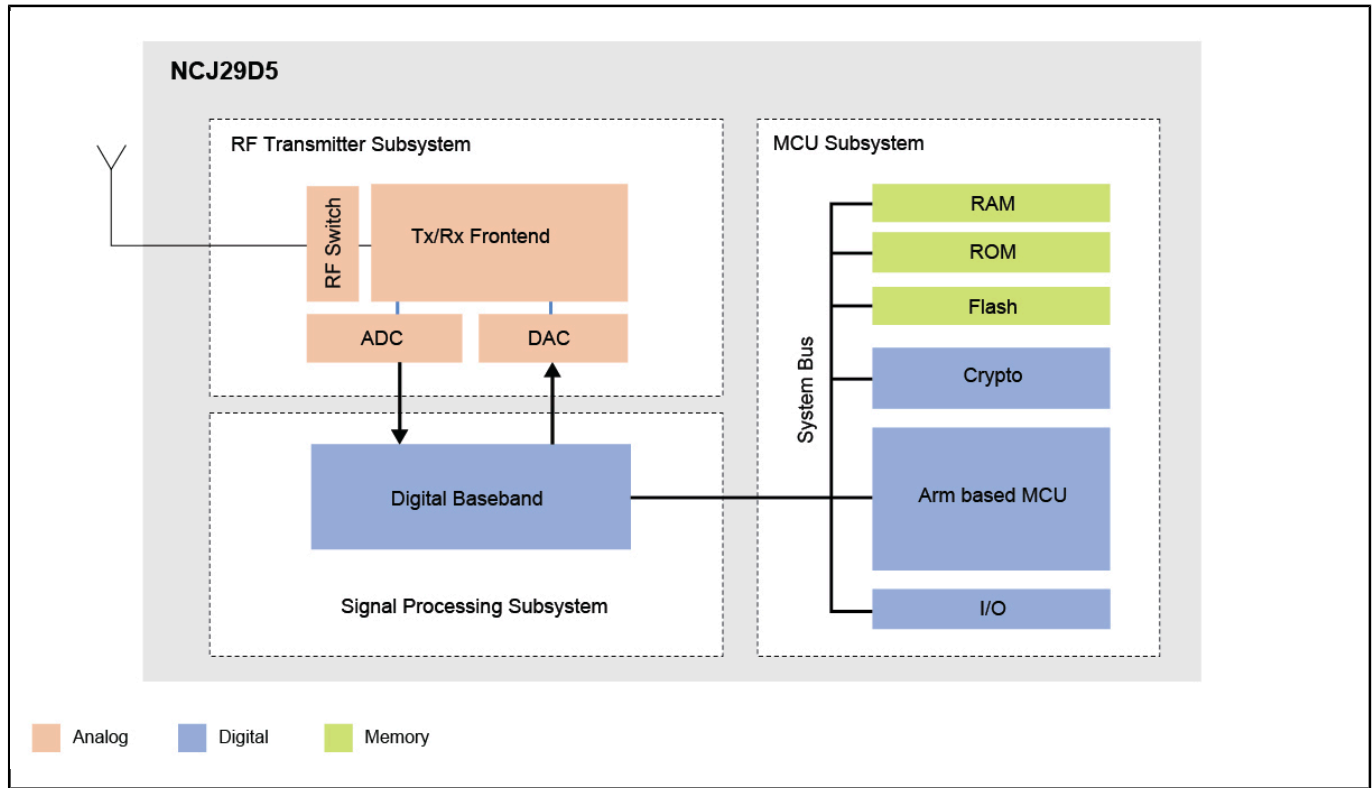
## NCJ29D5

Last Updated: Jul 22, 2024

NXP's NCJ29D5 is the first of a new generation of Ultra-Wideband (UWB) ICs designed specifically to meet the connectivity and safety needs of the global automotive industry. It enables a broad range of striking new use cases.

The UWB IC enables cars to know exactly where the users are. For the first time, smartphone-based car access offers the same level of convenience as state-of-the-art key fobs. Users can open and start cars, while leaving their phones in their pockets or bags, and enjoy secure remote parking via smartphone. Furthermore, the new UWB IC brings maximum level of protection against car theft through relay attacks.

# NCJ29D5 Block Diagram Block Diagram



View additional information for [Trimension™ NCJ29D5: UWB IC for Automotive Applications](#).

**Note:** The information on this document is subject to change without notice.

**www.nxp.com**

NXP and the NXP logo are trademarks of NXP B.V. All other product or service names are the property of their respective owners. The related technology may be protected by any or all of patents, copyrights, designs and trade secrets. All rights reserved. © 2024 NXP B.V.