



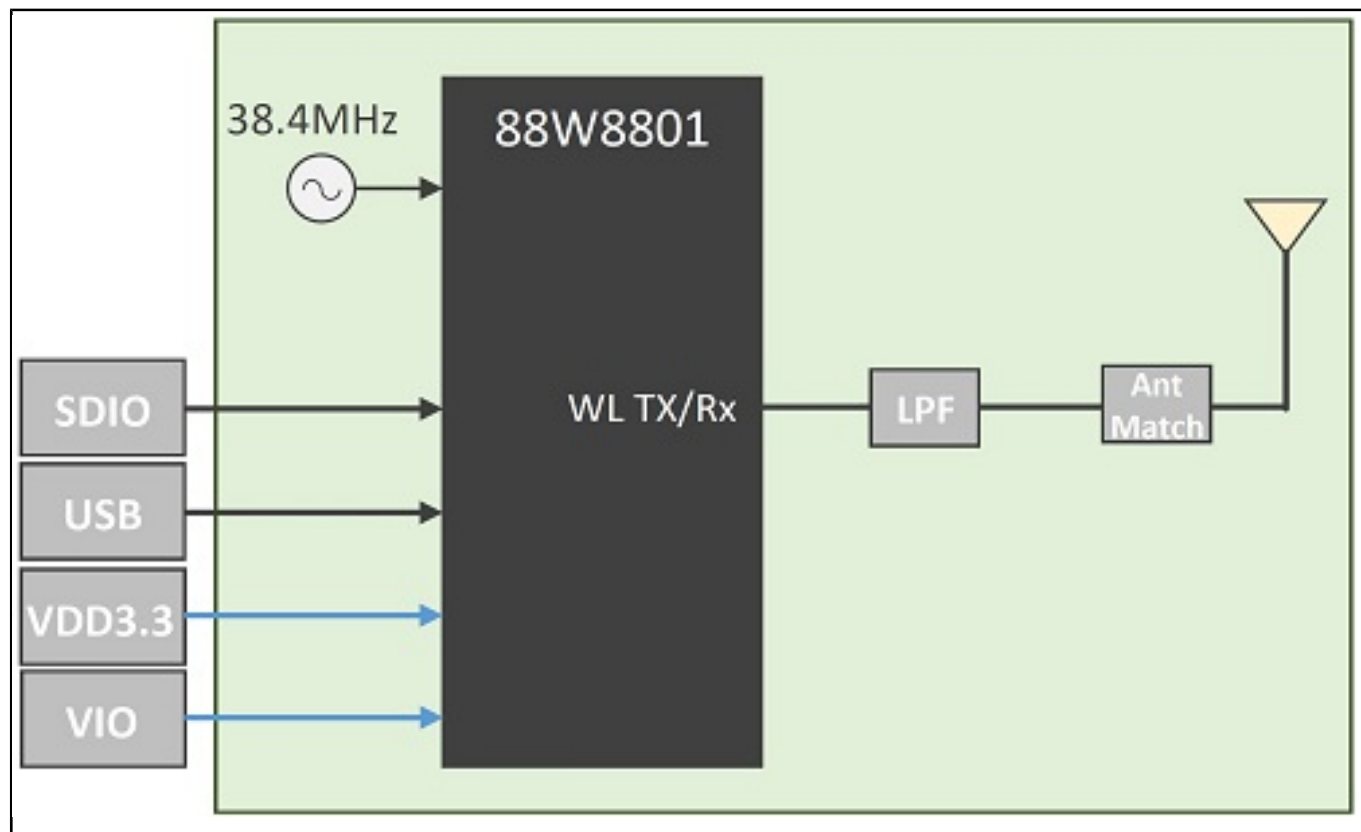
Murata NXP 88W8801 chipset based Wi-Fi® module: Type 2DS

MURATA-TYPE-2DS

Last Updated: Sep 4, 2024

Type 2DS is a small high-performance NXP 88W8801 chipset based module which supports WiFi 802.11 b/g/n up to 72.2 Mbps PHY data rate. It supports NXP's MCUXpresso IDE platform with SDK support for i.MX RT crossover MCUs. Type 2DS WiFi module provides device manufacturers with an easy-to-design solution for data acquisition, device management, and industrial control applications. RF matching, Antenna design and Regulatory certification are already taken care of and tested.

Type 2DS Block Diagram Block Diagram



View additional information for [Murata NXP 88W8801 chipset based Wi-Fi® module: Type 2DS](#).

Note: The information on this document is subject to change without notice.

www.nxp.com

NXP and the NXP logo are trademarks of NXP B.V. All other product or service names are the property of their respective owners. The related technology may be protected by any or all of patents, copyrights, designs and trade secrets. All rights reserved. © 2024 NXP B.V.