



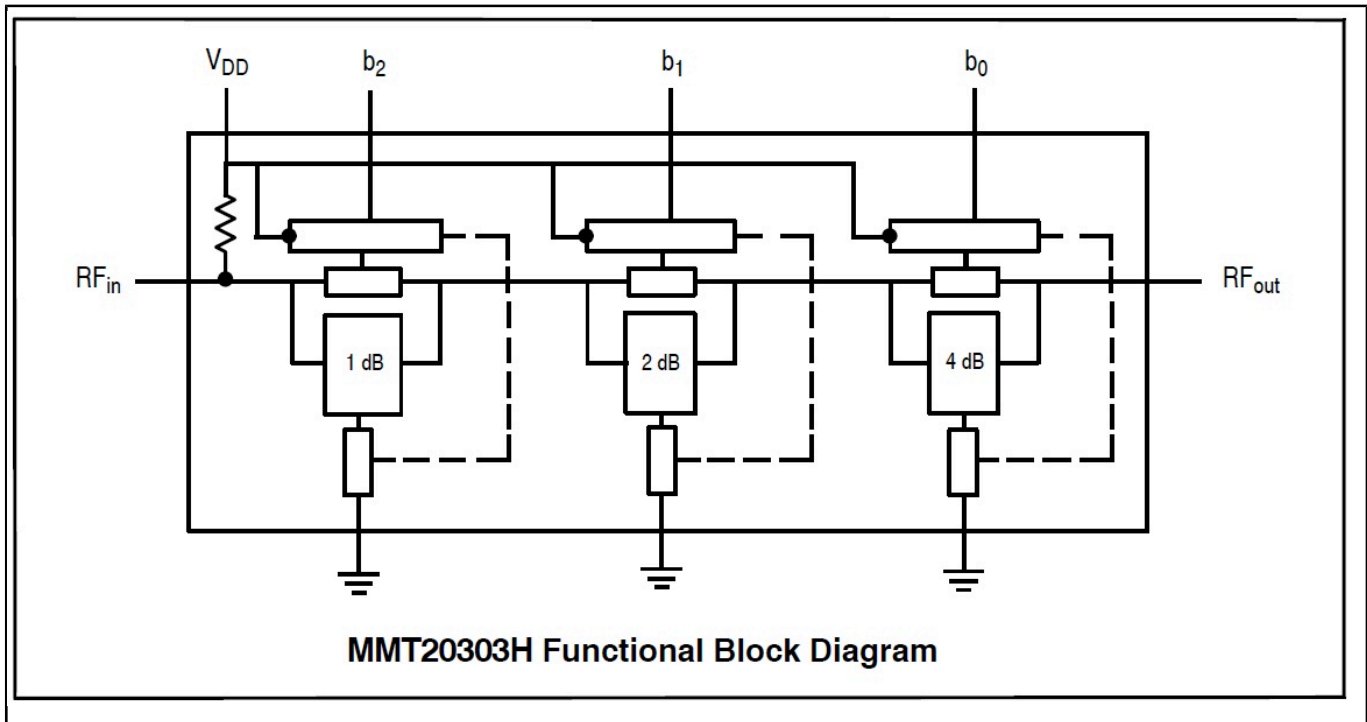
50–4000 MHz, 3–Bit 1 dB LSB Digital Step Attenuator

MMT20303H

Last Updated: May 2, 2024

The MMT20303H is an integrated 3-bit digital step attenuator with a 1 dB step size. It is controlled via a 3-bit parallel interface and operates from a 3 to 5 V supply. The MMT20303H is suitable for 3G/4G small cell transmitter and mobile radio applications using frequencies from 50 to 4000 MHz.

MMT20303H Block Diagram Block Diagram



View additional information for [50-4000 MHz, 3-Bit 1 dB LSB Digital Step Attenuator](#).

Note: The information on this document is subject to change without notice.

www.nxp.com

NXP and the NXP logo are trademarks of NXP B.V. All other product or service names are the property of their respective owners. The related technology may be protected by any or all of patents, copyrights, designs and trade secrets. All rights reserved. © 2024 NXP B.V.