



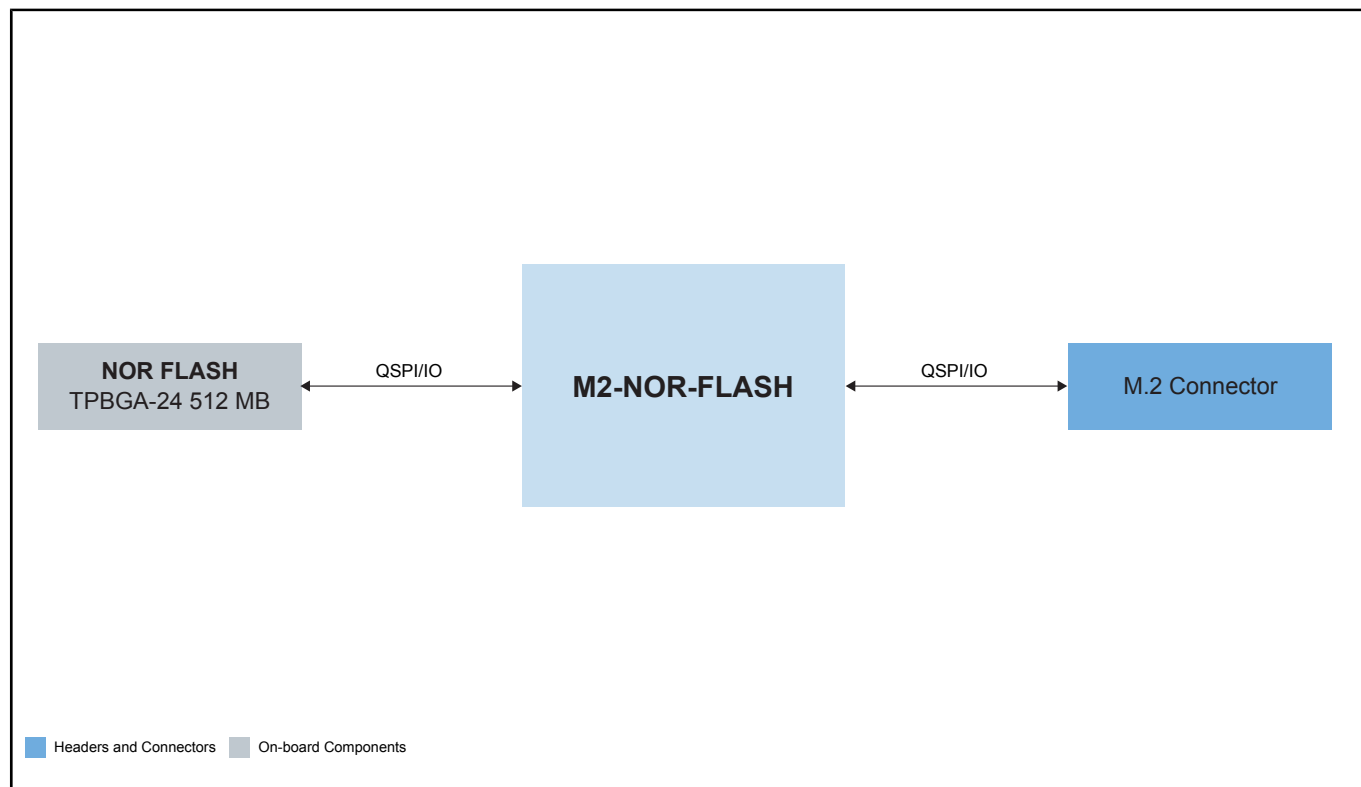
M2 NOR FLASH Daughter Card

M2-NOR-FLASH

Last Updated: Jan 16, 2025

The M2 NOR FLASH expansion card is a 512 Mbit M.2 QSPI NOR flash Card. It can be connected to M.2 KEY-E connector whose QSPI is mixed through SDIO.

M2-NOR-FLASH Block Diagram



View additional information for [M2 NOR FLASH Daughter Card](#).

Note: The information on this document is subject to change without notice.

www.nxp.com

NXP and the NXP logo are trademarks of NXP B.V. All other product or service names are the property of their respective owners. The related technology may be protected by any or all of patents, copyrights, designs and trade secrets. All rights reserved. © 2025 NXP B.V.