



LPC845 Multi-Tool Tester Platform

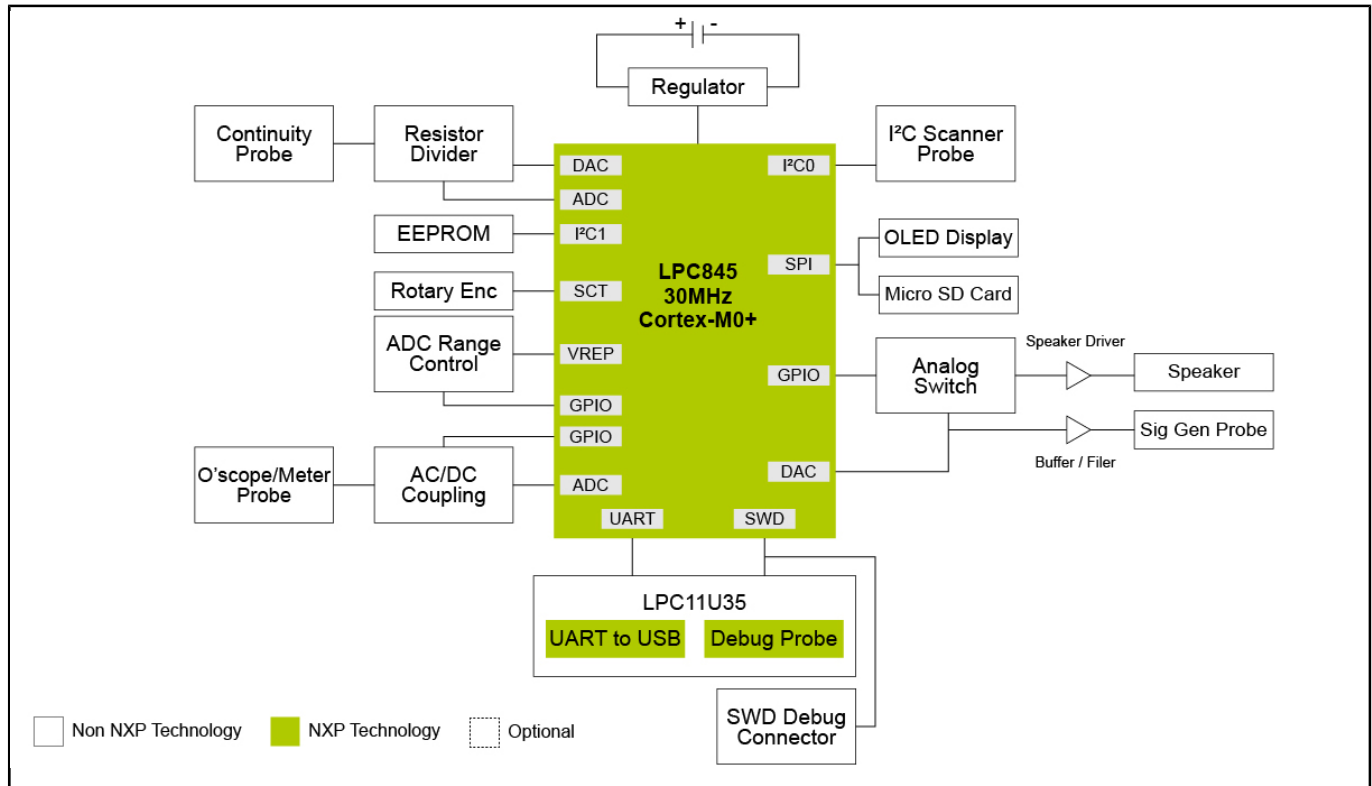
LPC845-Multi-Tester

Last Updated: May 1, 2023

Our low cost, multitester platform is suitable for adaptation to a range of system monitoring applications.

Provided as an open source design, the code and board files for this multitester are fully available for use as the starting point for customer designs.

LPC845 Multi-tool Tester Block Diagram



View additional information for [LPC845 Multi-Tool Tester Platform](#).

Note: The information on this document is subject to change without notice.

www.nxp.com

NXP and the NXP logo are trademarks of NXP B.V. All other product or service names are the property of their respective owners. The related technology may be protected by any or all of patents, copyrights, designs and trade secrets. All rights reserved. © 2024 NXP B.V.