



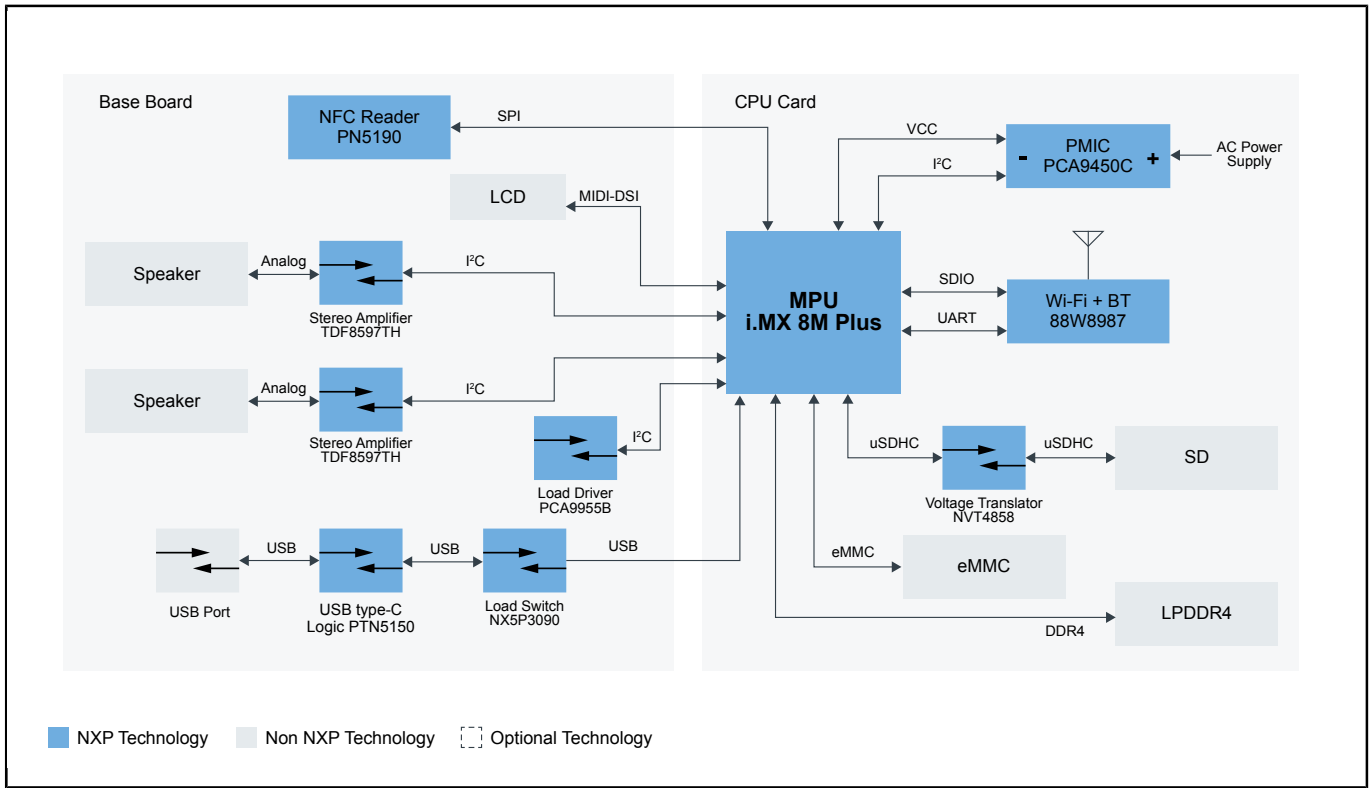
IoT Audio

IOT-AUDIO

Last Updated: Apr 23, 2024

NXP Audio IoT is based on the i.MX 8M processor that provides excellent audio, voice and video processing, and low-power capabilities that create scalable, safe and secure applications. By using an internal adaptive DC-to-DC converter, you get ample headroom for major improvements in audio quality. The i.MX 8M processor provides excellent audio, voice and video processing, and low-power capabilities that create scalable, safe and secure applications.

IoT Audio Block Diagram



View additional information for [IoT Audio](#).

Note: The information on this document is subject to change without notice.

www.nxp.com

NXP and the NXP logo are trademarks of NXP B.V. All other product or service names are the property of their respective owners. The related technology may be protected by any or all of patents, copyrights, designs and trade secrets. All rights reserved. © 2024 NXP B.V.