



# FXPS7140X Automotive Safety Pressure Sensor DSI3 and PSI5

## FXPS7140X

Last Updated: Sep 13, 2023

FXPS71407ST1 and FXPS7140P7ST1 are the recommend devices for new designs as the FXPS71407T1 and FXPS7140P7T1 are discontinued.

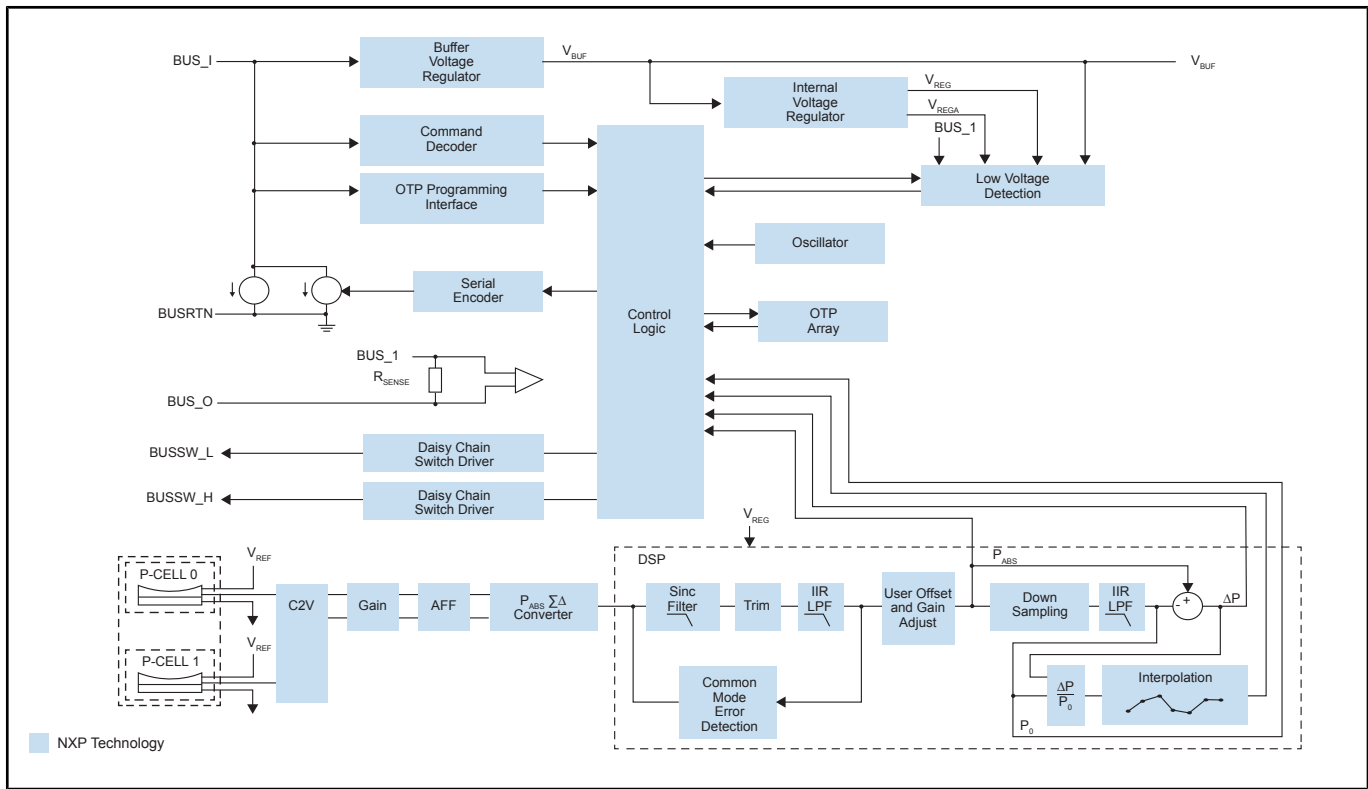
The FXPS7140X family is the latest generation of airbag crash sensors from NXP. The devices are designed using NXP proprietary MEMS sensing technology coupled with a signal conditioning digital integrated circuit (IC) in a QFN 4 x 4 x 1.98 mm package.

The architecture benefits from redundant pressure transducers as an expanded quality measure. The sensor delivers highly accurate pressure range of 40 kPa to 140 kPa through user configurable DSI3 and PSI5 interfaces. The embedded DSP provides fully programmable digital low pass filtering.

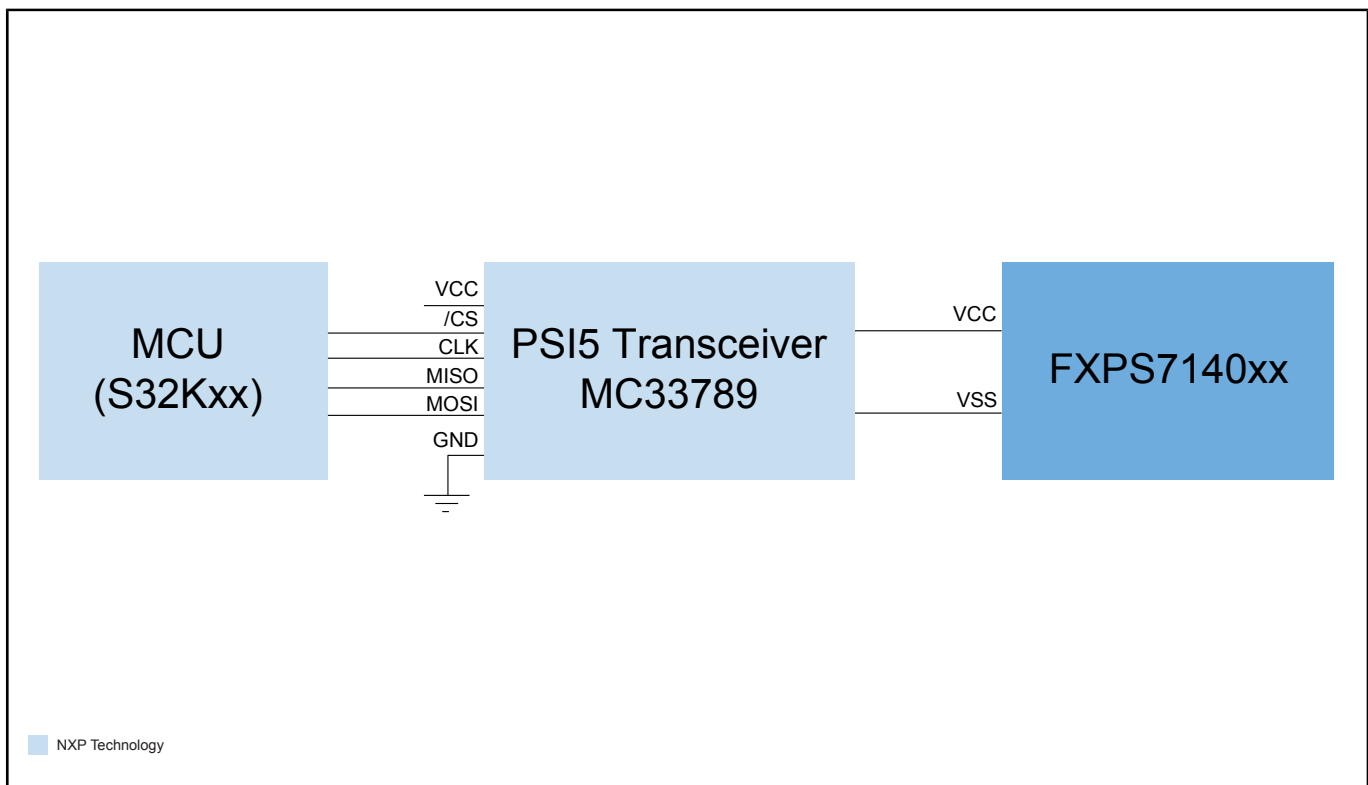
The FXPS7140X family is fully AEC-Q100 qualified up to 125 °C operating temperature and is compliant with the AK LV 29 requirements. The package has wettable flanks for solder joint inspection. FXPS7140X products have been developed following ISO26262 2018 edition and can be used in up to ASIL D system.

For additional information and sample availability, [contact support](#) or your local sales representative.

## FXPS7140X Automotive Safety Pressure Sensor Block Diagram



## FXPS7140X PSI5 Transceiver Diagram



View additional information for [FXPS7140X Automotive Safety Pressure Sensor DSI3 and PSI5](#).

**Note:** The information on this document is subject to change without notice.

---

**[www.nxp.com](http://www.nxp.com)**

NXP and the NXP logo are trademarks of NXP B.V. All other product or service names are the property of their respective owners. The related technology may be protected by any or all of patents, copyrights, designs and trade secrets. All rights reserved. © 2024 NXP B.V.