

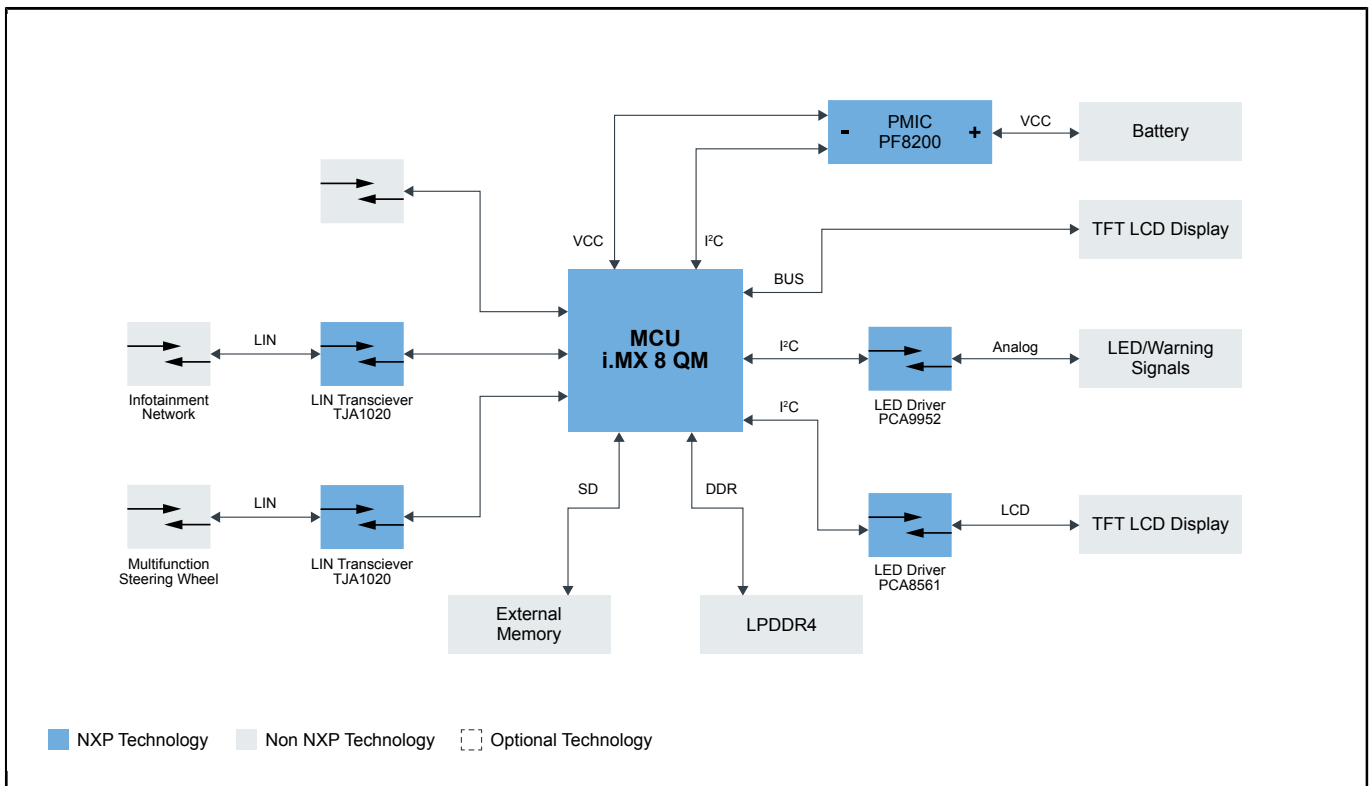


CLOUD-PROD-ASP2

Last Updated: Nov 9, 2024

ASP Final Cloud Test 2

Cloud Final Test Ray Block Diagram



Recommended Products for Cloud Final Test Ray

UWB	<ul style="list-style-type: none"> • Ultra-Wideband (UWB): Ultra wideband (UWB) • NCJ29D6: Trimention™ NCJ29D6: Secure UWB IC for Automotive Ranging and Radar Applications • NCJ29D5: Trimention™ NCJ29D5: UWB IC for Automotive Applications
MCU	<ul style="list-style-type: none"> • MCX A13x, 14x, 15x MCUs with Arm® Cortex® M33, Scalable Device Options, Low Power and Intelligent Peripherals • MCX-N94X-N54X: MCX N94x/54x Highly Integrated Multicore MCUs with On-Chip Accelerators, Intelligent Peripherals and Advanced Security • S32M2: S32M2 Integrated Solution for 12V Motor Control • S32K3: S32K3 Microcontrollers for Automotive General Purpose • KV Series Arm Cortex-M4/M0+/M7: KV Series: Real-Time Motor Control and Power Conversion MCUs Based on Arm® Cortex®-M0+/M4/M7

	<ul style="list-style-type: none"> • KE Series Arm Cortex-M4/M0+: Kinetis® E Series: 5V, Robust Microcontrollers (MCUs) Based on Arm® Cortex®.M0+/M4 Core • S32K1: S32K1 Microcontrollers for Automotive General Purpose
LNA	<ul style="list-style-type: none"> • Active Antenna Systems: Active Antenna Systems
PA	<ul style="list-style-type: none"> • Active Antenna Systems: Active Antenna Systems
LNA	<ul style="list-style-type: none"> • Active Antenna Systems: Active Antenna Systems

View our complete solution for [CLOUD-PROD-ASP2](#).

Note: The information on this document is subject to change without notice.

www.nxp.com

NXP and the NXP logo are trademarks of NXP B.V. All other product or service names are the property of their respective owners. The related technology may be protected by any or all of patents, copyrights, designs and trade secrets. All rights reserved. © 2024 NXP B.V.