



# Wireless Battery Management System Link

## BMA606X NEW

### Preproduction

This page contains information on a preproduction product. Specifications and information herein are subject to change without notice. For additional information [contact support](#) or your sales representative.

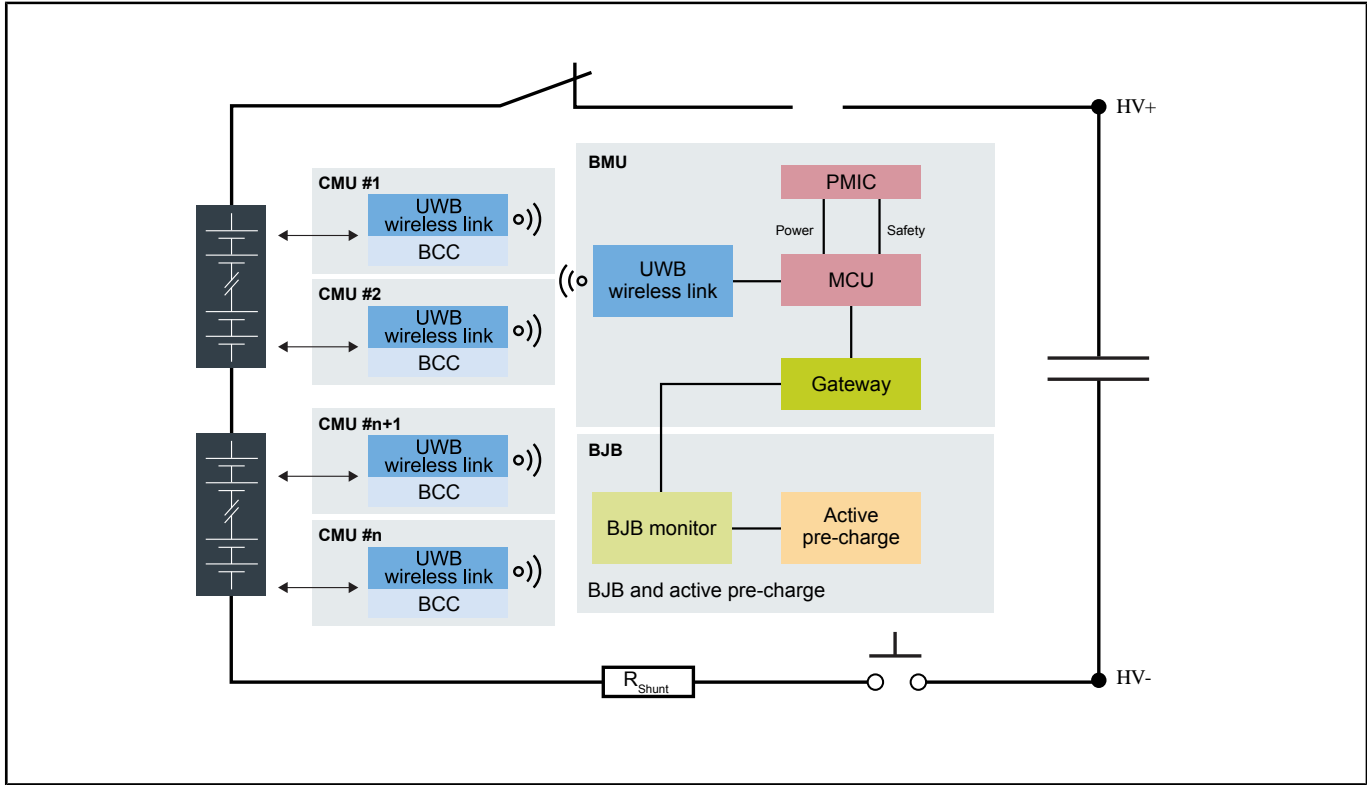
Last Updated: Nov 14, 2024

The BMA6060 and BMA6061 are a chipset for wireless battery management system applications. It implements a transparent wireless replacement for the typical electrical TPL connection (isolated daisy chain of NXP) between the individual Cell Monitoring Units (CMUs).

The BMA6061 implements the wireless network controller function in the Battery Management Unit (BMU).

The BMA6060 is the wireless network responder in the Cell Management Units (CMUs). A typical battery includes one BMA6061 and multiple BMA6060.

# Wireless Battery Management System Block Diagram



View additional information for [Wireless Battery Management System Link](#).

**Note:** The information on this document is subject to change without notice.

**www.nxp.com**

NXP and the NXP logo are trademarks of NXP B.V. All other product or service names are the property of their respective owners. The related technology may be protected by any or all of patents, copyrights, designs and trade secrets. All rights reserved. © 2024 NXP B.V.