



S12ZVM 3-Phase Electrical Water Pump (EWP) Reference Design

S12ZVM-EWP-PMSM

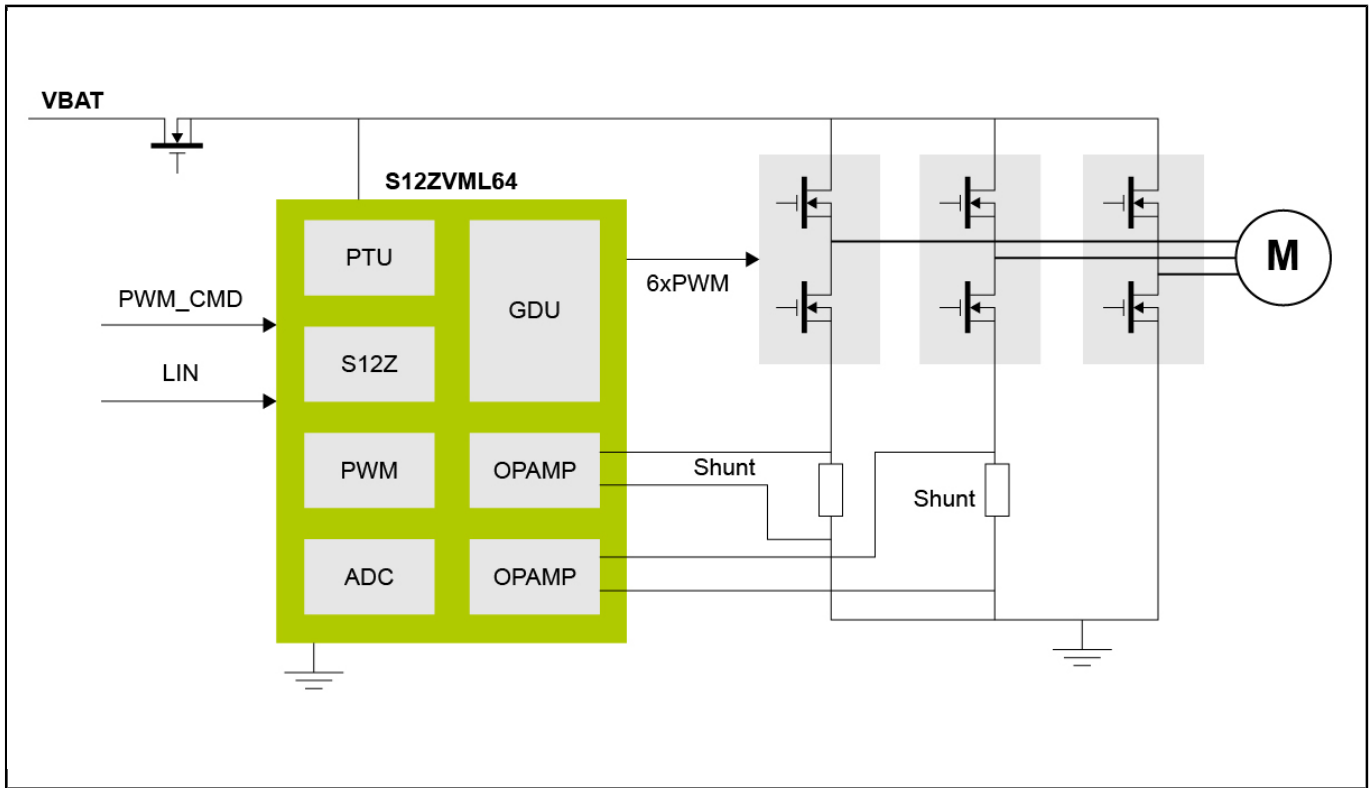
Last Updated: May 1, 2023

The S12ZVM-EWP is a reference design board engineered for 3-phase permanent magnet synchronous motor (PMSM) water pump with sensorless FOC dual shunt control applications.

Based on the 16-bit S12 MagniV® S12ZVM mixed-signal microcontrollers, the S12ZVM-EWP provides A-sample PMSM electrical water pump ECU hardware and software to accelerate water pump product development and production.

[Go to market faster with NXP water pump solutions - Fact Sheet](#)

3-Phase Water Pump Block Diagram



View additional information for [S12ZVM 3-Phase Electrical Water Pump \(EWP\) Reference Design](#).

Note: The information on this document is subject to change without notice.

www.nxp.com

NXP and the NXP logo are trademarks of NXP B.V. All other product or service names are the property of their respective owners. The related technology may be protected by any or all of patents, copyrights, designs and trade secrets. All rights reserved. © 2024 NXP B.V.