



S12ZVL32 RGB LED Lighting Reference Design

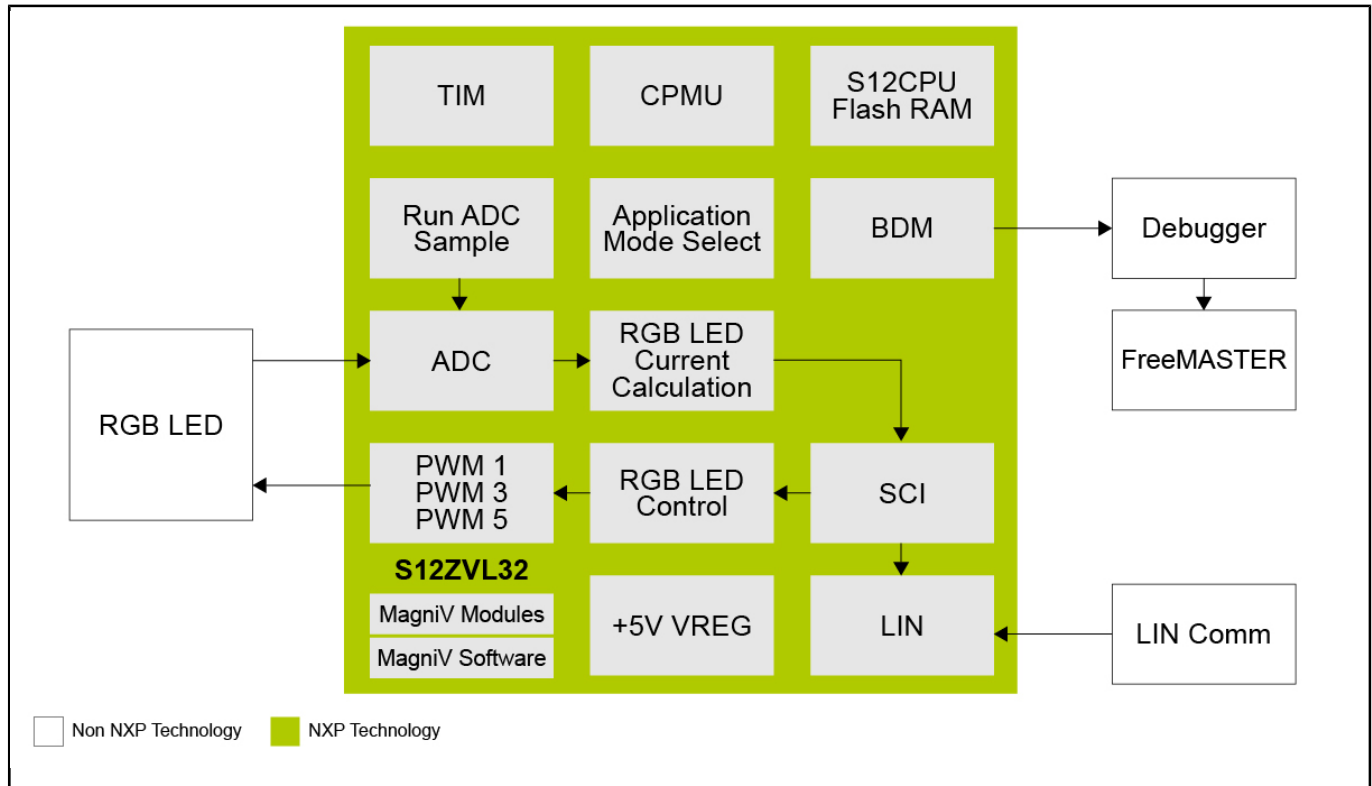
S12ZVL32-LED

Last Updated: May 1, 2023

The S12ZVL32-LED is a reference design board engineered for RGB light-emitting diode (LED) control and diagnostics using local interconnect network (LIN).

Based on the 16-bit S12 MagniV® S12ZVL mixed-signal microcontrollers, the S12ZVL32-LED offers an automotive voltage regulator, a LIN interface, a Vsup module to sense automotive battery voltage and an HVI pin.

RGB LED Lighting Block Diagram



View additional information for [S12ZVL32 RGB LED Lighting Reference Design](#).

Note: The information on this document is subject to change without notice.

www.nxp.com

NXP and the NXP logo are trademarks of NXP B.V. All other product or service names are the property of their respective owners. The related technology may be protected by any or all of patents, copyrights, designs and trade secrets. All rights reserved. © 2024 NXP B.V.