

**Table of Contents**

2	NOTES
3	Block Diagram
4	MICROCONTROLLER
5	FRDM CONNECTORS and POWER
6	OpenSDA

**Revisions**

Rev	Description	Date	Approved
A	Initial Release	8/11/2015	AQ
A1	Update antenna match	1/20/2016	AQ

# FRDM-KW019032

		<b>Wireless Connectivity Operation</b>	
		6501 William Cannon Drive West Austin, TX 78735-8598	
<small>This document contains information proprietary to Freescale Semiconductor and shall not be used for engineering design, procurement or manufacture in whole or in part without the express written permission of Freescale Semiconductor.</small>			
Designer: A. Quiroz		ICAP Classification: FCP: FIUO: X PUBI:	
Drawing Title: AVID		<b>FRDM-KW019032</b>	
Drawn by: AVID		Page Title: <b>TITLE PAGE</b>	
Approved: A. Quiroz		Size: C	Document Number: <b>SCH-28745</b>
Date: Tuesday, January 19, 2016		Sheet 1	of 6
		Rev A1	

5 4 3 2 1

TODO: UPDATE REFDES and NOTES

1. Unless Otherwise Specified:

- All resistors are in ohms, 5%, 1/8 Watt
- All capacitors are in uF, 20%, 50V
- All voltages are DC
- All polarized capacitors are aluminum electrolytic

2. Interrupted lines coded with the same letter or letter combinations are electrically connected.

3. Device type number is for reference only. The number varies with the manufacturer.

4. Special signal usage:

- \_B Denotes - Active-Low Signal
- <> or [] Denotes - Vectored Signals

5. Interpret diagram in accordance with American National Standards Institute specifications, current revision, with the exception of logic block symbology.

6. Using this board as an Arduino Host may require populating one or more of the following bottom side resistors:

- To source 3.3V to J3.10: populate R127
- To source 5V to J3.12: populate R140
- To source J3.6 and IO\_REF: populate R139 (5V) or R138 (3.3V)
- To source 3.3V to J2.16: populate R128



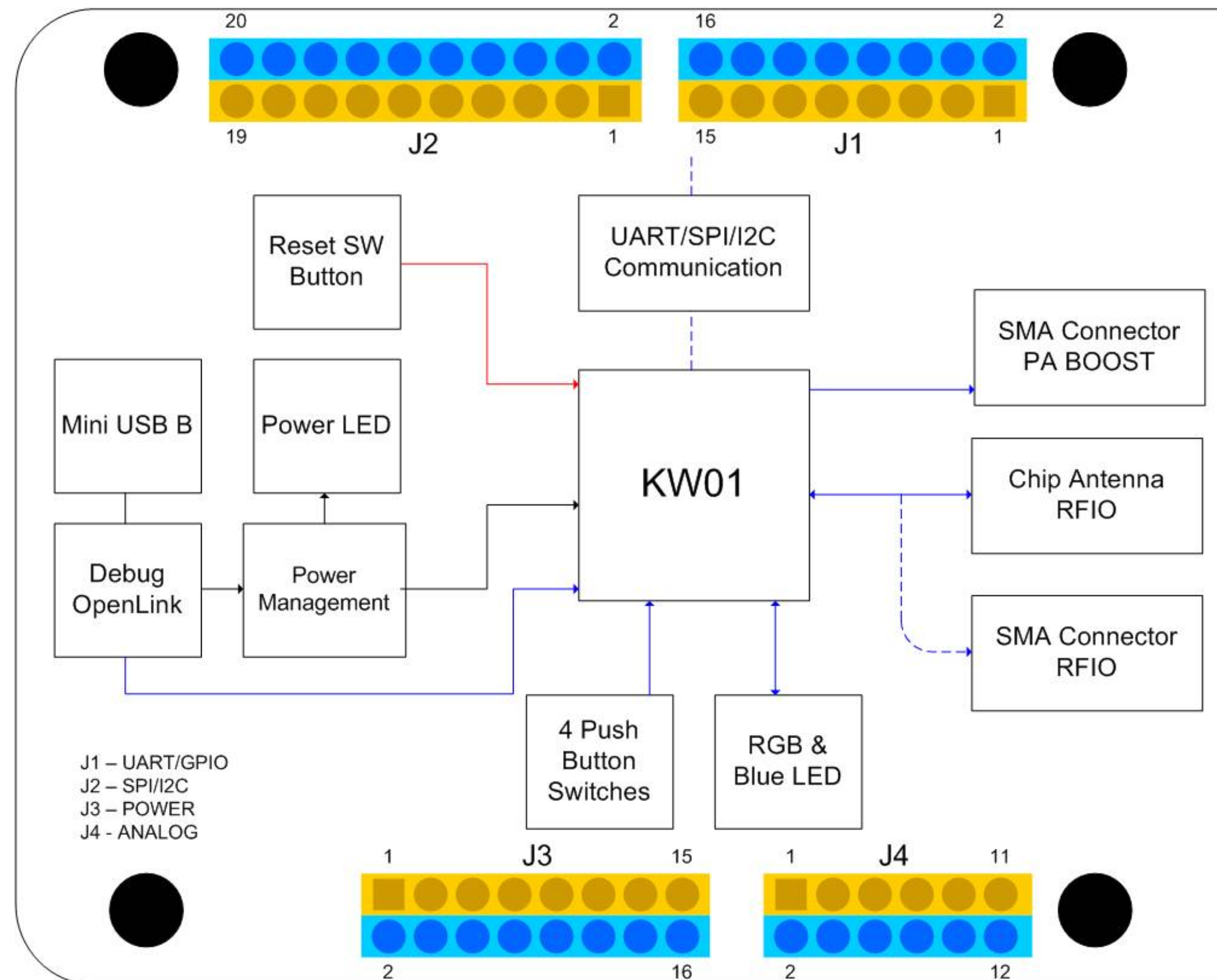
ICAP Classification: FCP: FIUO: X PUBI:

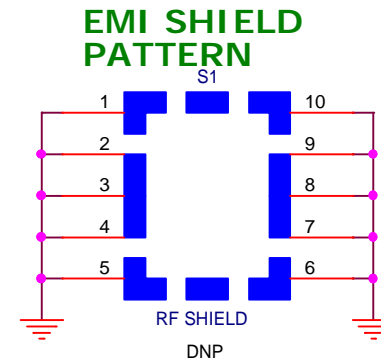
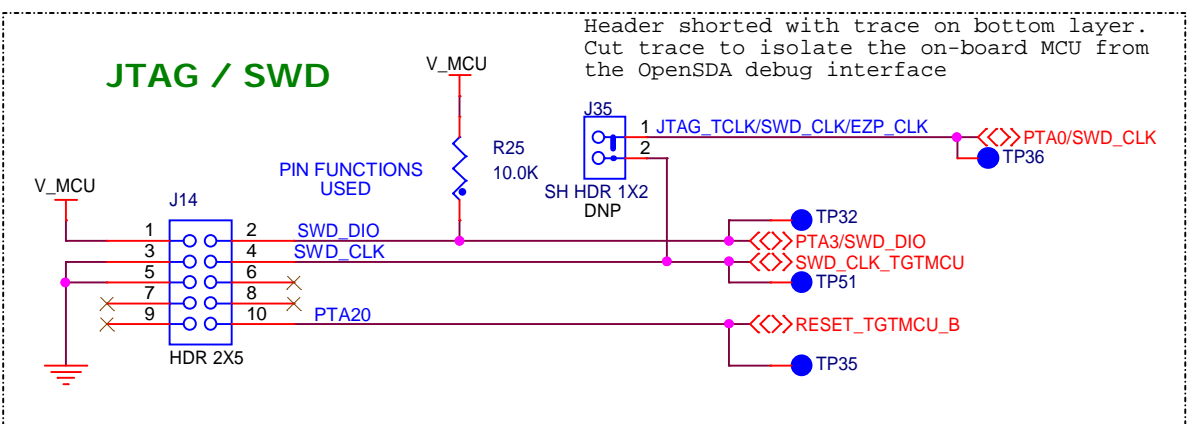
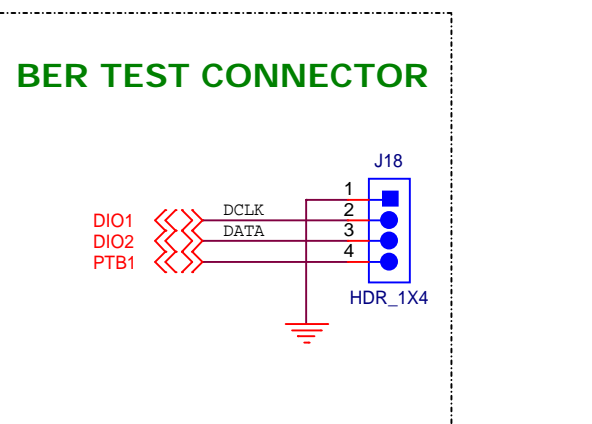
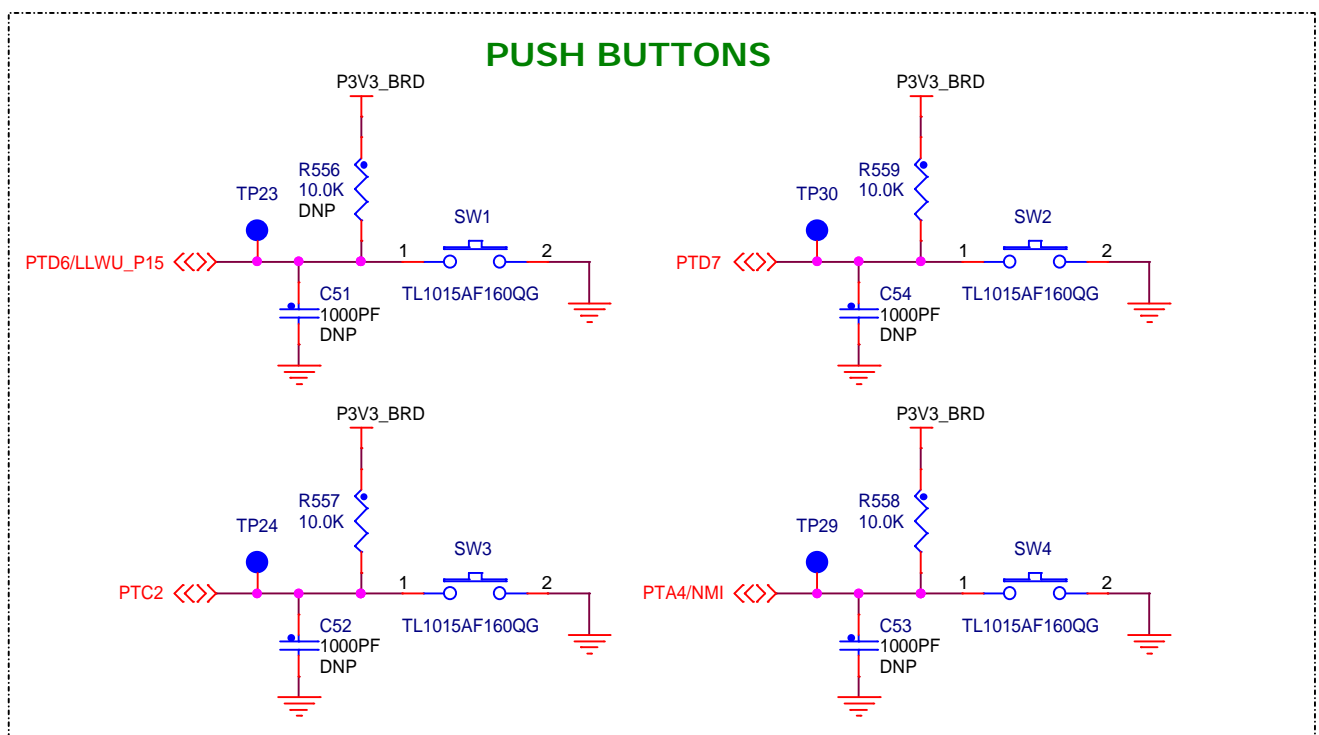
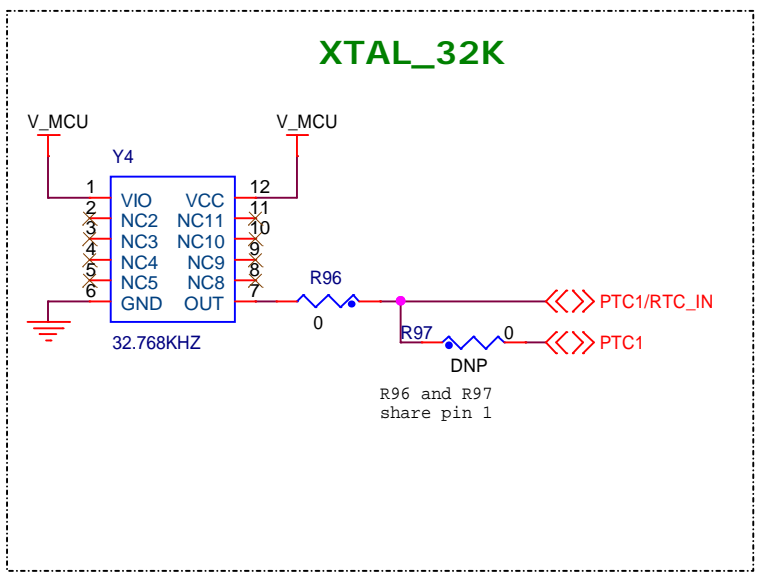
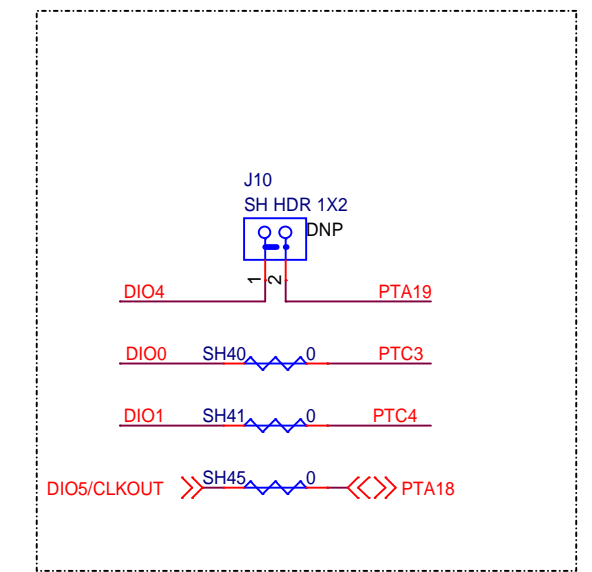
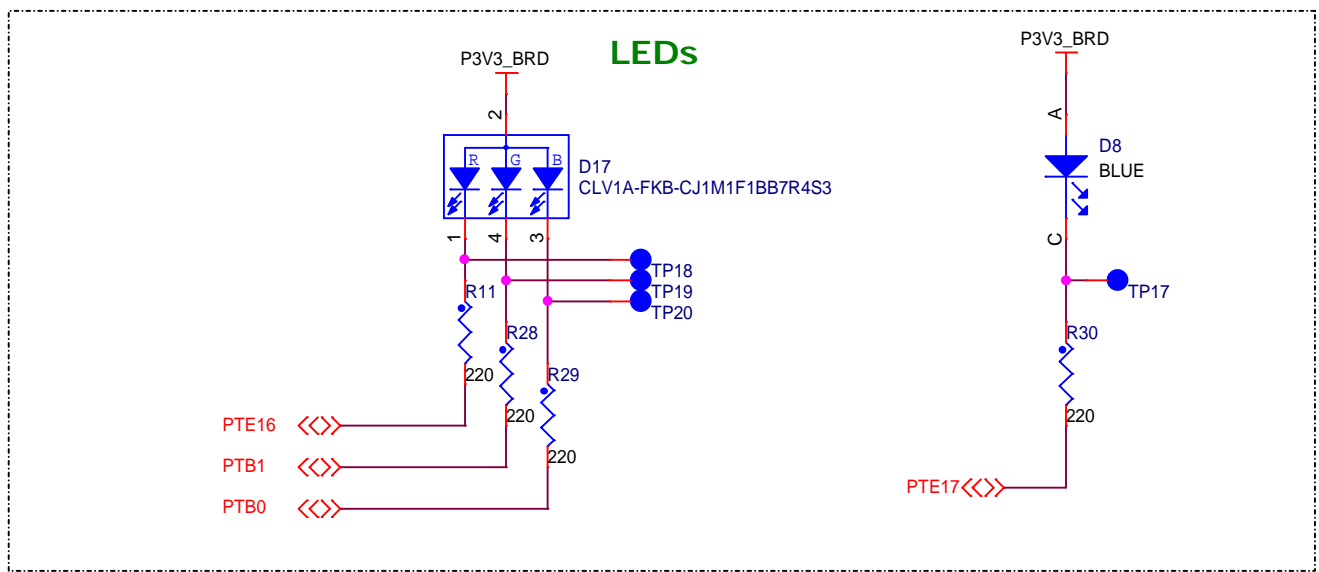
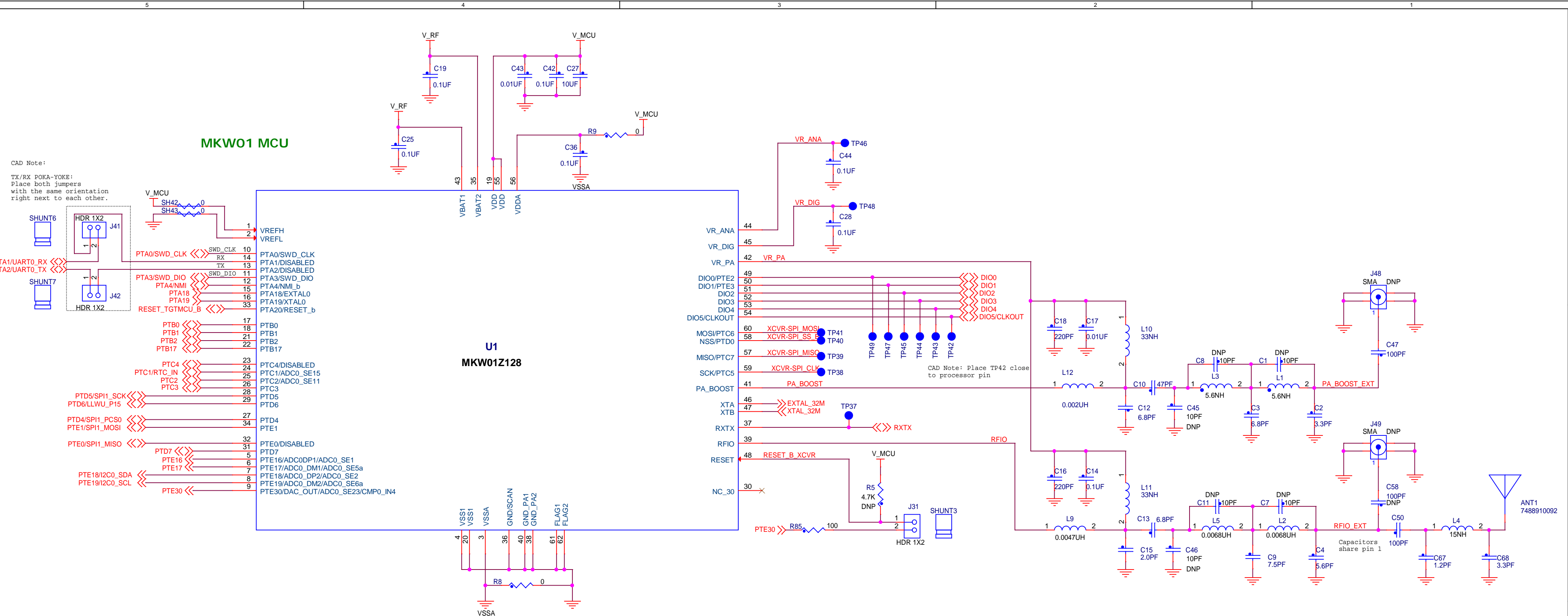
Drawing Title: **FRDM-KW019032**

Page Title: **NOTES**

Size	Document Number	Rev
C	<b>SCH-28745</b>	A1

Date: Tuesday, January 19, 2016 Sheet 2 of 6





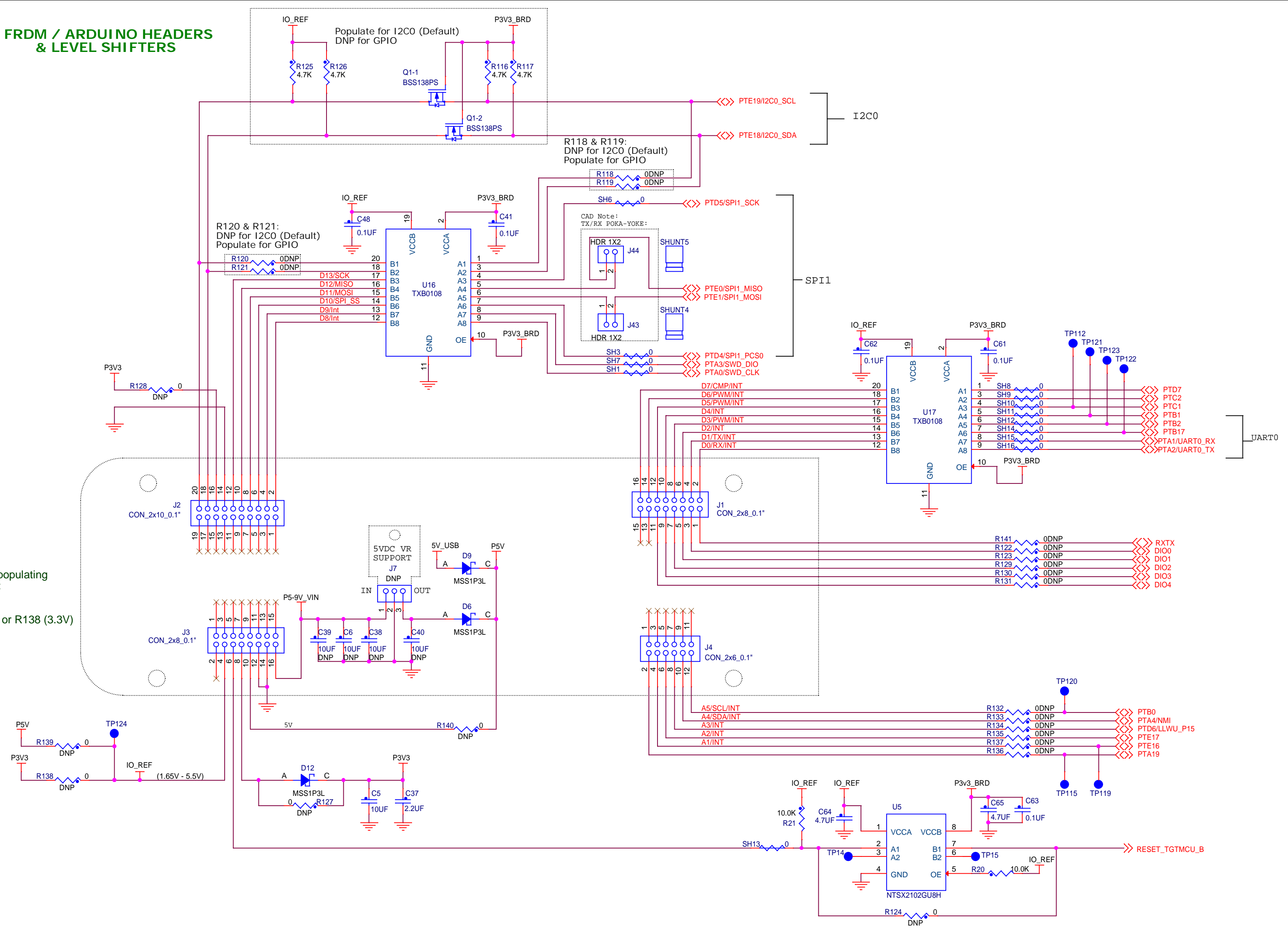
**freescale™**  
semiconductor

ICAP Classification: FCP: \_\_\_\_\_ FIUC: X PUBL: \_\_\_\_\_  
Drawing Title: **FRDM-KW019032**  
Page Title: **MICROCONTROLLER**

Size C	Document Number <b>SCH-28745</b>	Rev A1
--------	----------------------------------	--------

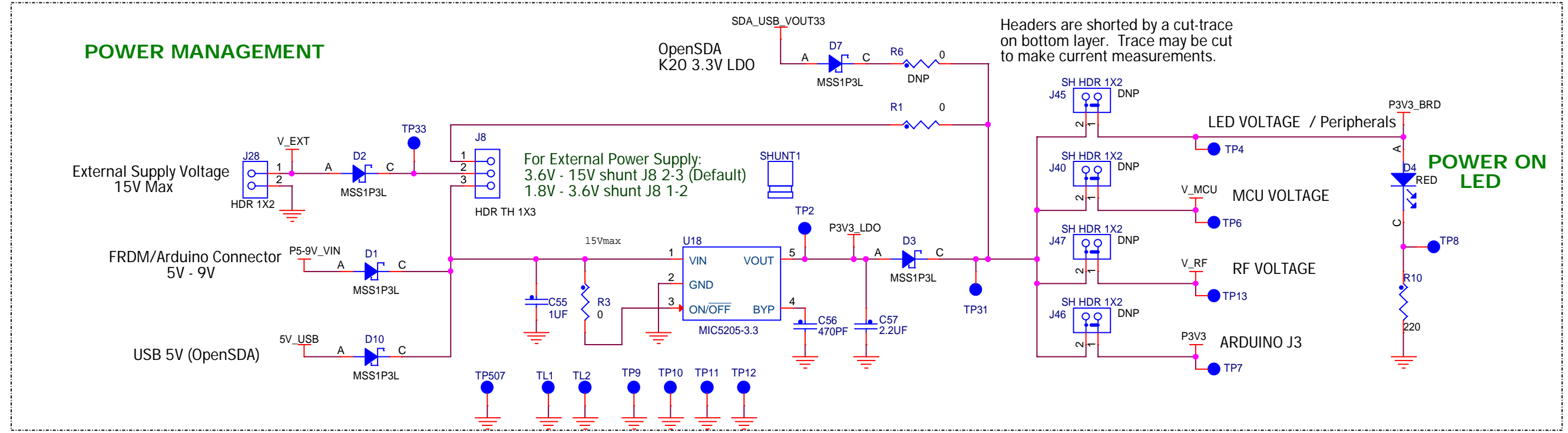
Date: Wednesday, January 20, 2016 Sheet 4 of 6

**FRDM / ARDUINO HEADERS & LEVEL SHIFTERS**



Using this board as an Arduino Host may require populating one or more of the following bottom side resistors:  
 To source 3.3V to J3.10: populate R127  
 To source 5V to J3.12: populate R140  
 To source J3.6 and IO\_REF: populate R139 (5V) or R138 (3.3V)  
 To source 3.3V to J2.16: populate R128

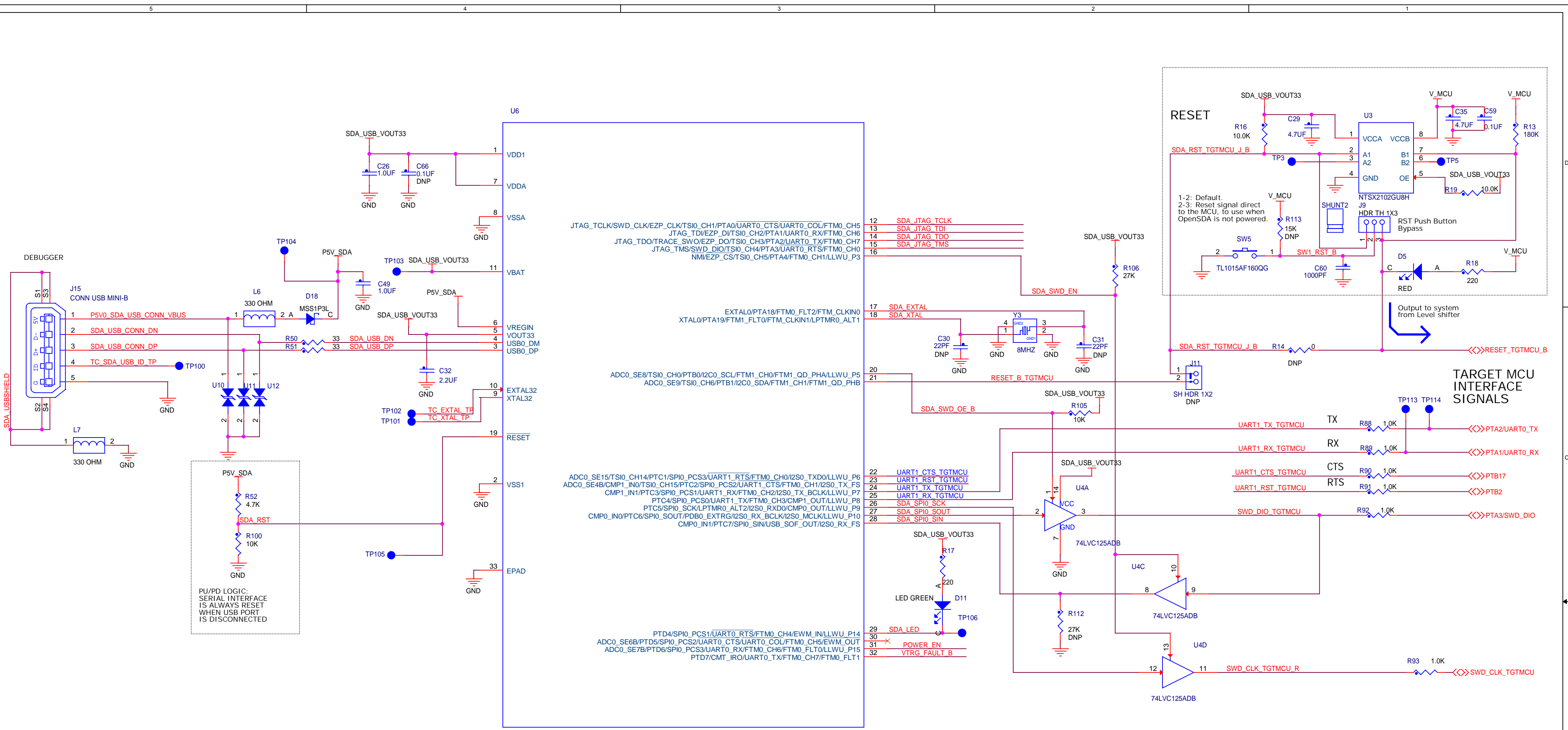
**POWER MANAGEMENT**



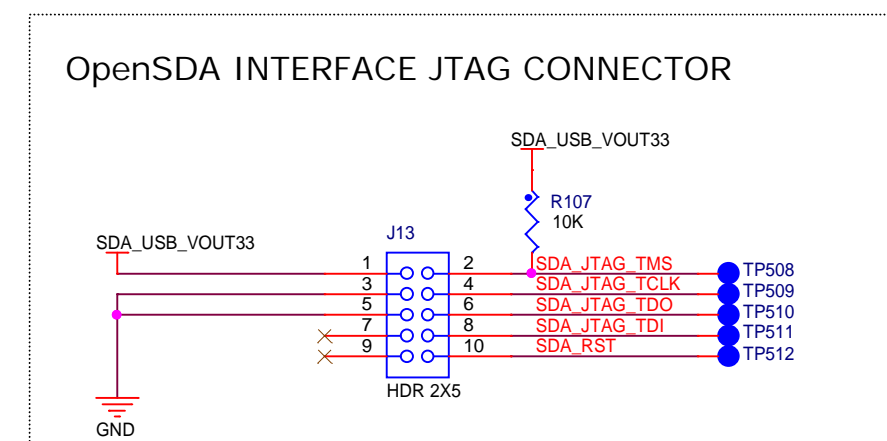
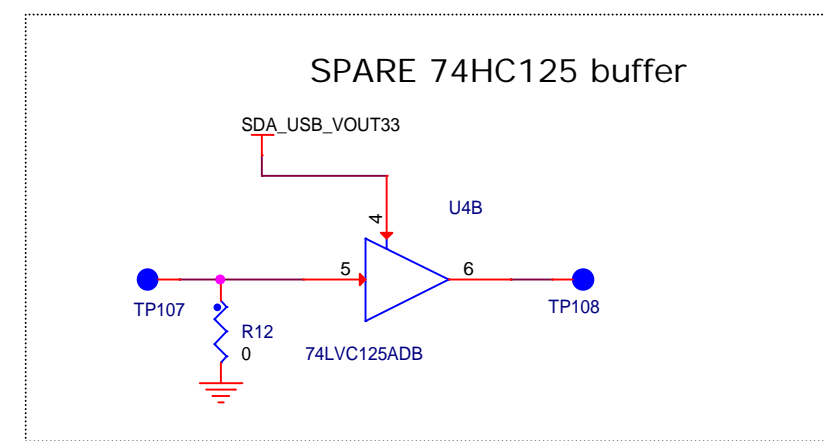
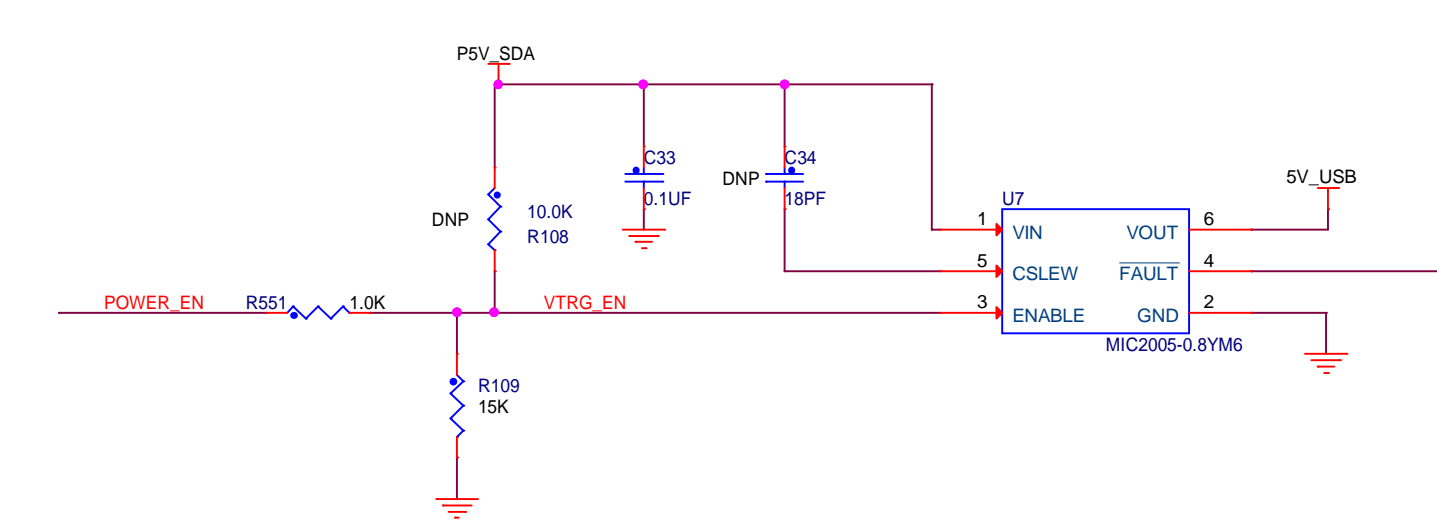
**freescale**  
semiconductor

ICAP Classification: FCP: \_\_\_\_\_ FIUO: X PUBLI: \_\_\_\_\_  
 Drawing Title: **FRDM-KW019032**  
 Page Title: **FRDM / ARDUINO CONNECTORS and POWER**  
 Size C Document Number **SCH-28745** Rev A1  
 Date: Tuesday, January 19, 2016 Sheet 5 of 6





### OpenSDA INTERFACE



ICAP Classification:	FCP: _____	FIUC: X
Drawing Title:	<b>FRDM-KW019032</b>	
Page Title:	<b>OpenSDA</b>	
Size C	Document Number	Rev A1
	<b>SCH-28745</b>	
Date:	Tuesday, January 19, 2016	Sheet 6 of 6