



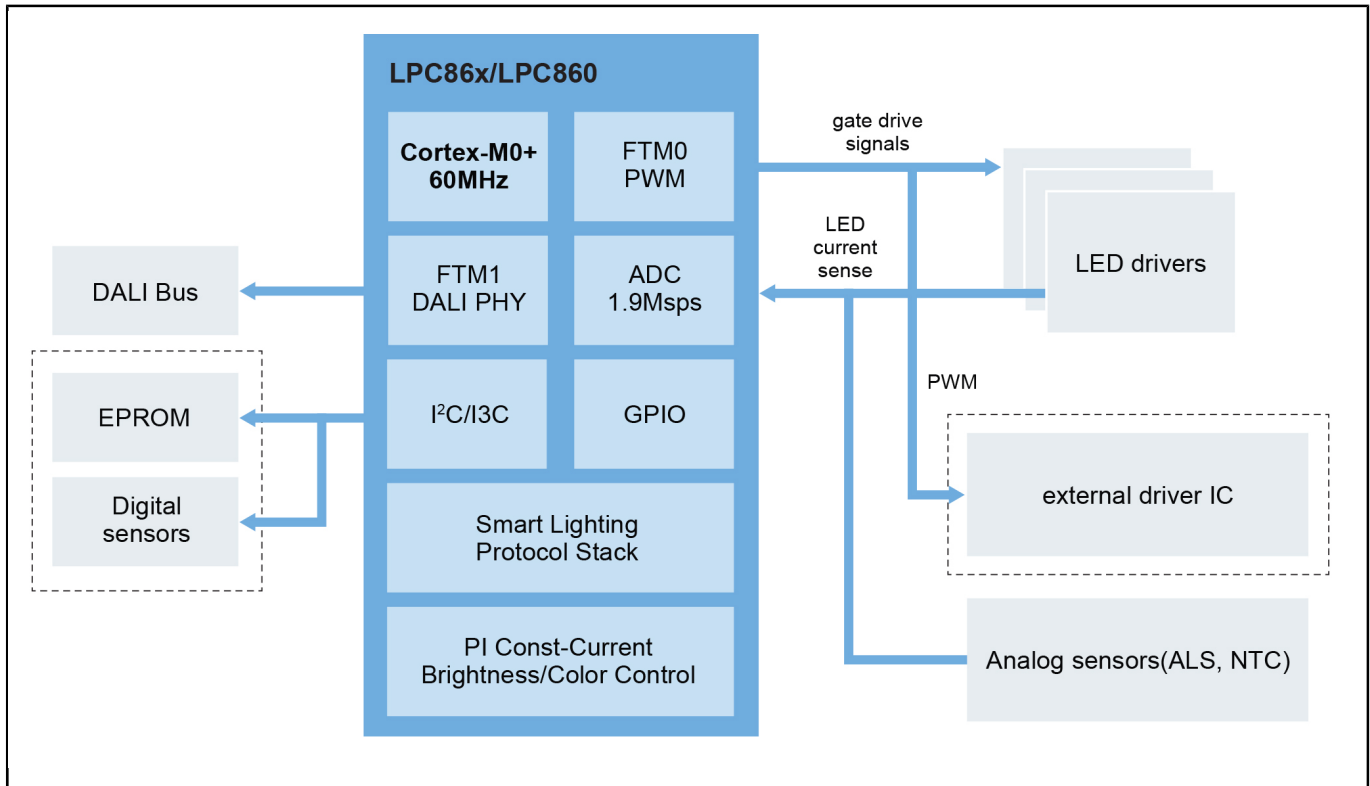
Smart Lighting Design Based on LPC860 MCUs

SLD-LPC860-MCU

Last Updated: Apr 29, 2024

This smart lighting solution is a reference design based on the low-cost LPC860 MCU. It provides an IEC 62386-101 compatible transceiver, a 3-channel high-efficiency LED driver and sensor communication interfaces for various analog and digital sensors. This solution aims to provide customers with a low-cost yet comprehensive solution for connected smart lighting products.

Smart Lighting Design Block Diagram



View additional information for [Smart Lighting Design Based on LPC860 MCUs](#).

Note: The information on this document is subject to change without notice.

www.nxp.com

NXP and the NXP logo are trademarks of NXP B.V. All other product or service names are the property of their respective owners. The related technology may be protected by any or all of patents, copyrights, designs and trade secrets. All rights reserved. © 2024 NXP B.V.