


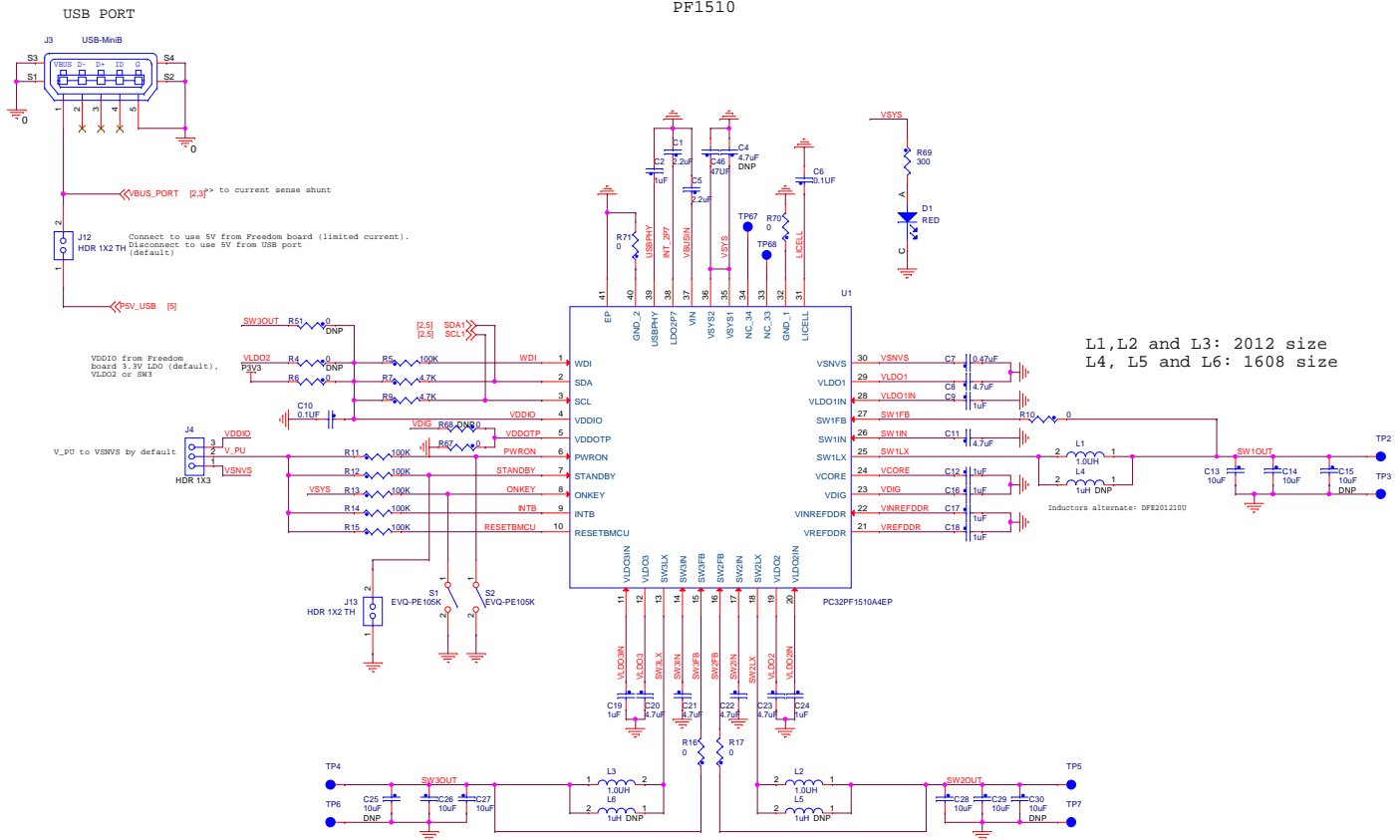
Table of Contents	
1	TITLE, TOC & REV
2	PMIC PF1510
3	CURRENT SENSE
4	ELOAD
5	KL25Z I/O & AMUX

Revisions			
Rev	Description	Date	Approved
X1	Initial Release	30-JAN-18	W.h. Chen
A	Final Release	4-Feb-18	W.h. Chen
A1	Change C23 to 4.7uF 150-78463, and populate it.	11-Apr-18	W.h. Chen

FRDMPF1510EVM

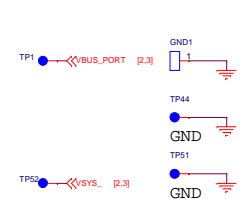
			
ICAP Classification:		FCP:	FINC: X PUBL
Drawing Title: FRDMPF1510EVM			
Page Title: TITLE, TOC & REV			
Size	Document Number	Rev	
C	SCH-31375 PDF: SPP-31375	A1	
Date: Wednesday, April 11, 2018		Sheet	1 of 5

PF1510

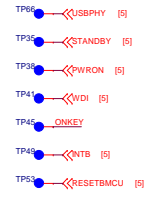


L1, L2 and L3: 2012 size
L4, L5 and L6: 1608 size

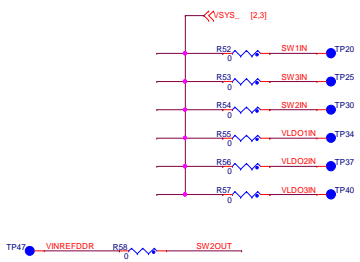
Inductors alternate: DF2012100



Standard hook testpoints



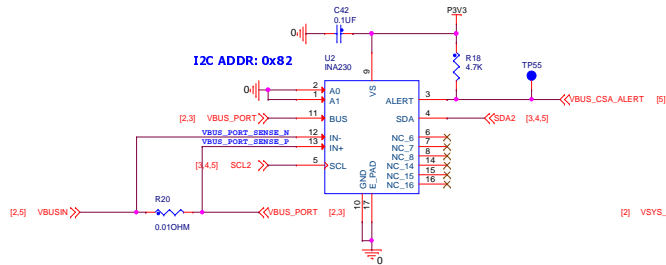
Compact hook testpoints



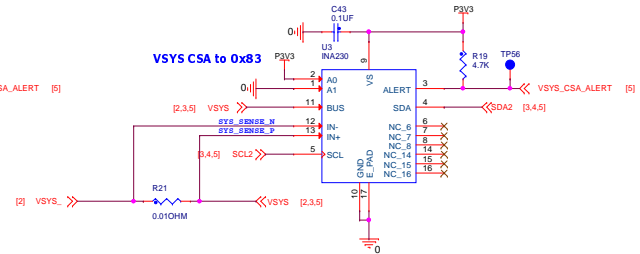
SMT pad testpoints

ICAP Classification: FCP: ENFC: X: PUBL
 Drawing Title: **FRDMPF1510EVM**
 Page Title: **PMIC PF1510**
 Size C Document Number SCH-31375 PDF: SPP-31375 Rev A1
 Date: Wednesday, April 11, 2018 Sheet 2 of 5

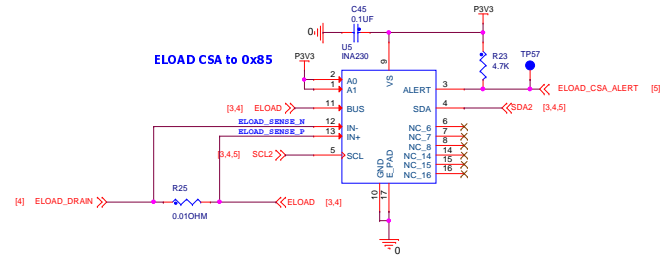
VBUS CURRENT SENSE AMP



VSYS CURRENT SENSE AMP

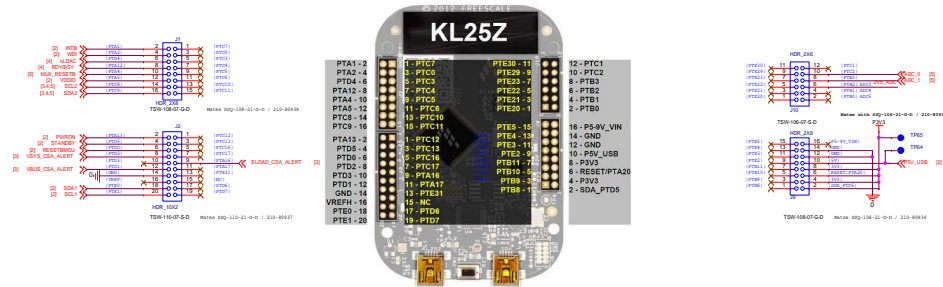


ELOAD CURRENT SENSE AMP

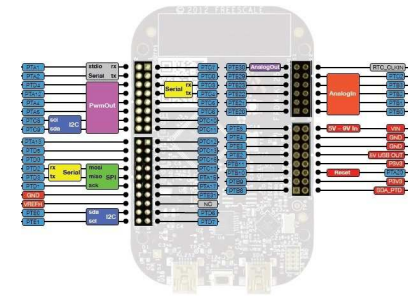


ICAP Classification: FCP: ENCL: X PUBL:	
Drawing Title: FRDMPF1510EVM	
Page Title: CURRENT SENSE	
Size: C	Document Number: SCH-31375 PDF: SPP-31375
Date: Wednesday, April 11, 2018	Rev: A1
Sheet 3 of 5	

KL25Z INTERFACE

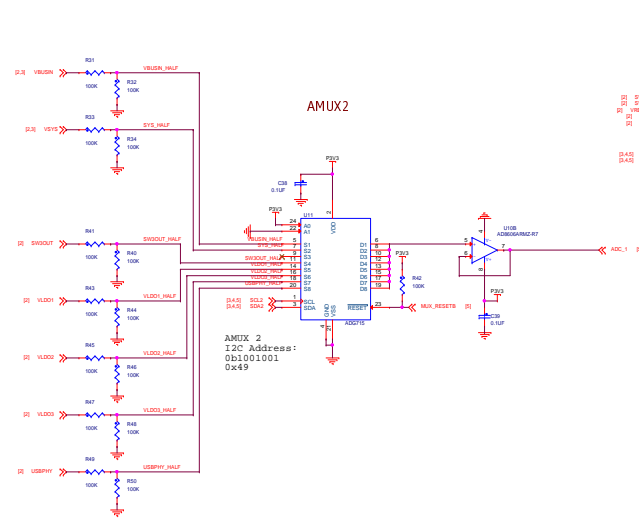


Populate the following connectors on the Freedom board (female with short pins, low insertion):
 SSQ-106-21-G-D / 210-80936
 SSQ-110-21-G-D / 210-80937
 SSQ-108-21-G-D (x2) / 210-80939



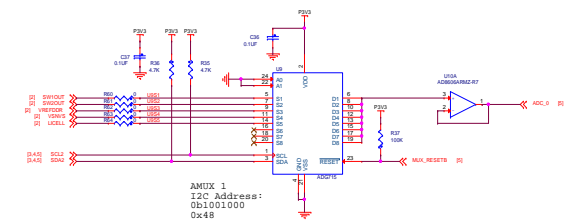
VOLTAGE SENSE

RAIL	VOLTAGE RANGE	AMUX/CHANNEL
SW1	0V to 1.4V, typ 1.1V	AMUX 1/CH 1
SW2	0V to 1.4V, typ 1.2V	AMUX 1/CH 2
VREFDDR	0V to 0.7V, typ 0.6V	AMUX 1/CH 3
VSNVS	0V to 3.0V, typ 3.0V	AMUX 1/CH 4
LICELL	0V to 3.0V, typ 3.0V	AMUX 1/CH 5
RESERVED		AMUX 1/CH 6
RESERVED		AMUX 1/CH 7
RESERVED		AMUX 1/CH 8
VBUSIN	0V to 6V, typ 5V	AMUX 2/CH 1
VSYS	2.5V to 4.5V, typ 3.6V	AMUX 2/CH 2
RESERVED		AMUX 2/CH 3
SW3	0V to 3.3V, typ 1.8V	AMUX 2/CH 4
VLDO1	0V to 3.3V, typ 3.3V	AMUX 2/CH 5
VLDO2	0V to 3.3V, typ 3.3V	AMUX 2/CH 6
VLDO3	0V to 3.3V, typ 3.3V	AMUX 2/CH 7
USBPHY	0V to 4.9V, typ 3.3V	AMUX 2/CH 8



1/2 voltage divider to accommodate 3.3V Full scale ADC

AMUX1



2.5V Voltage reference

