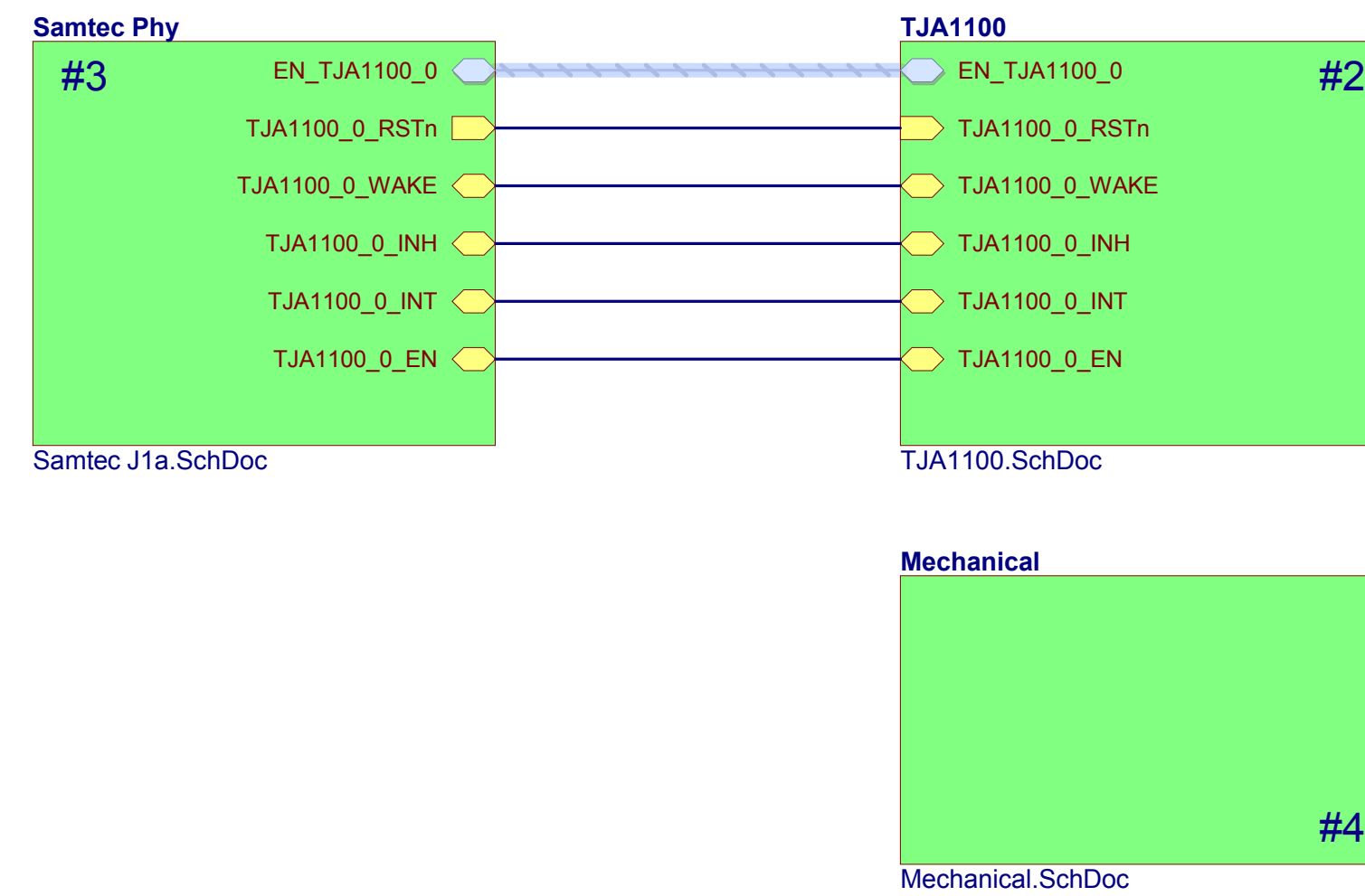
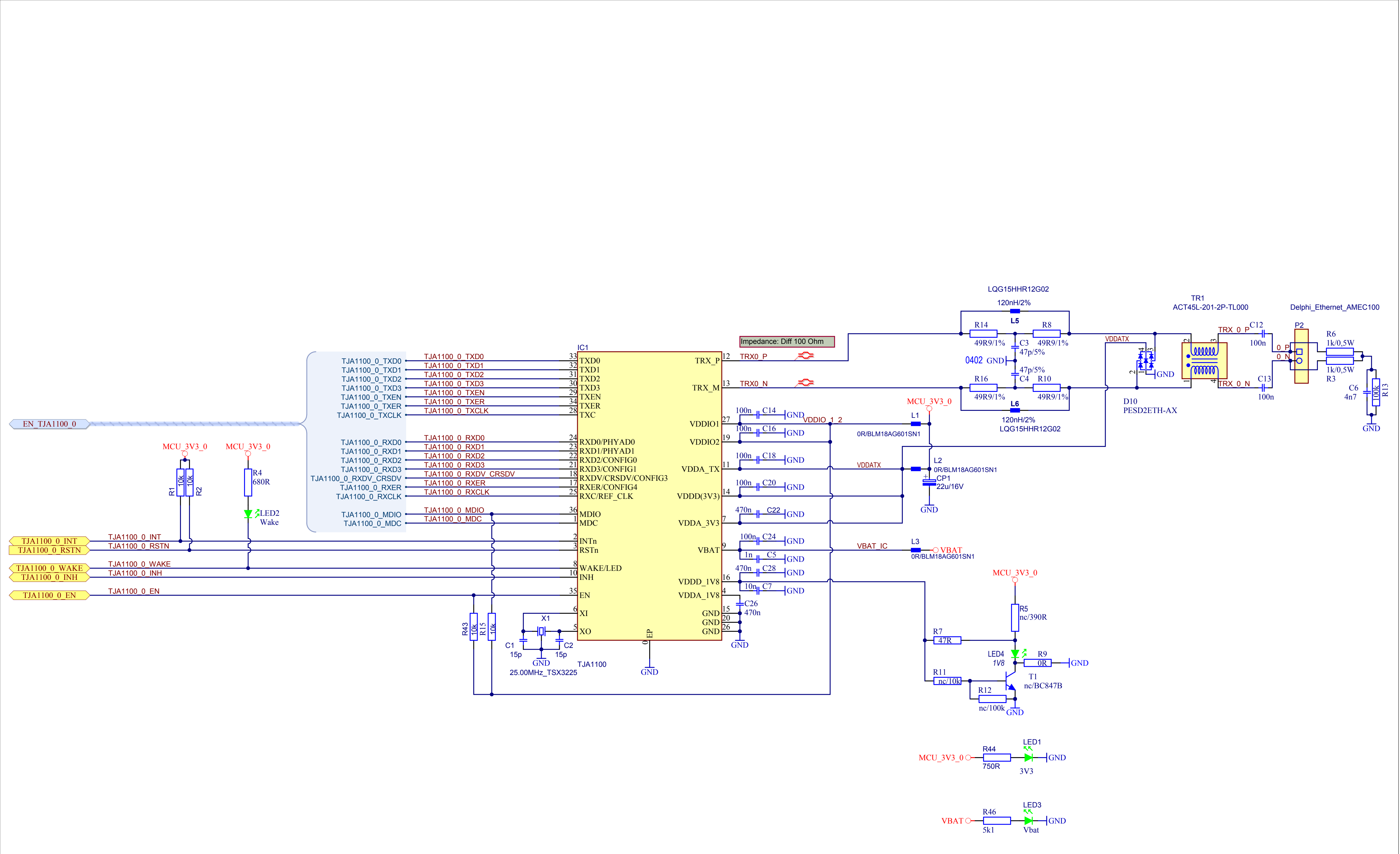
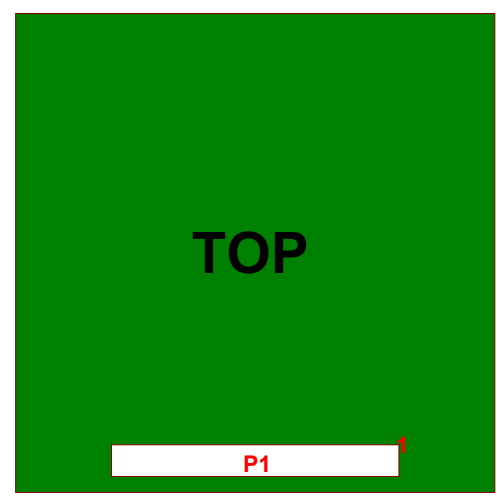
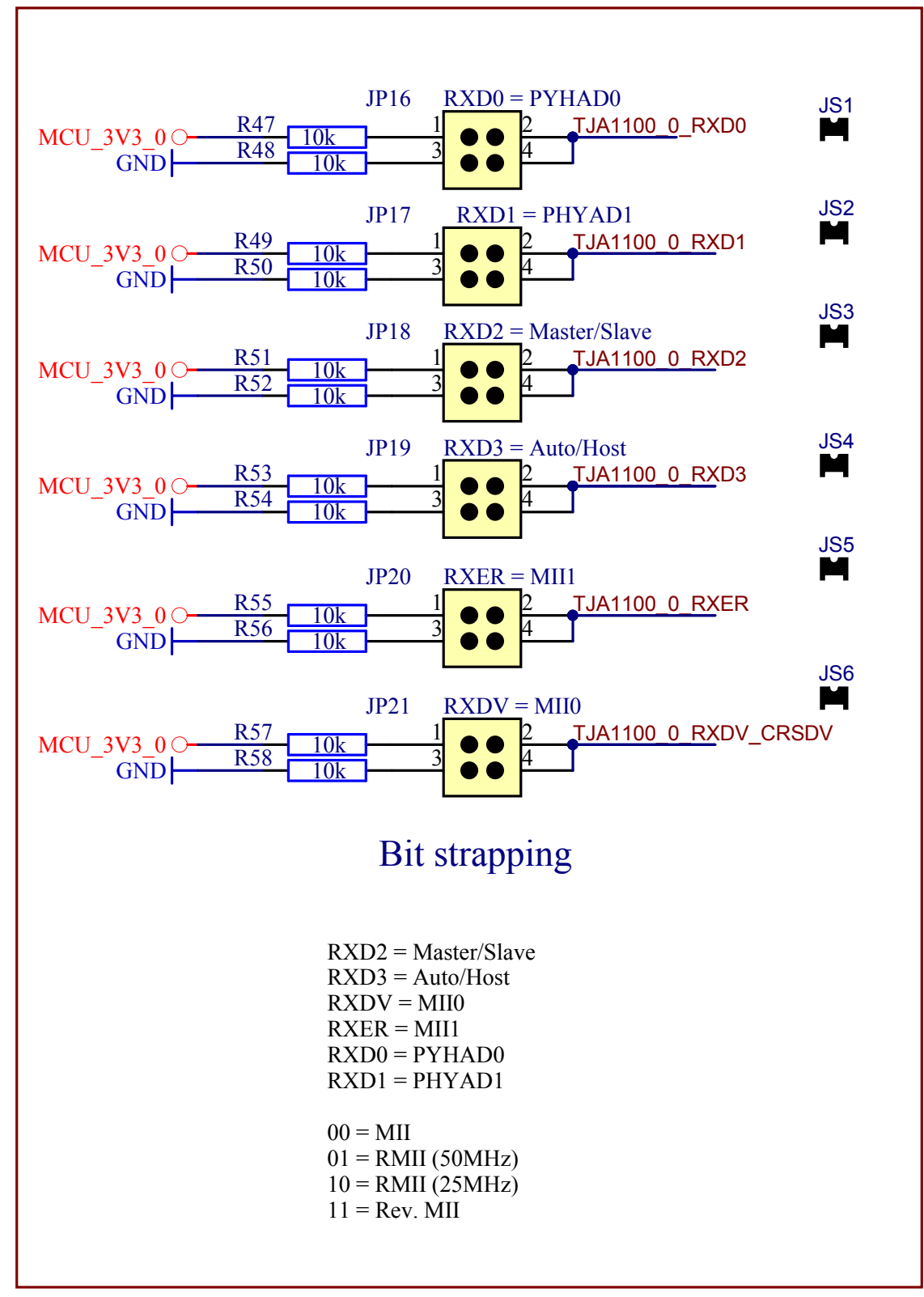
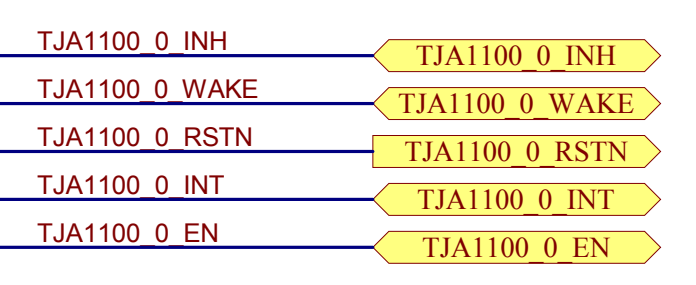
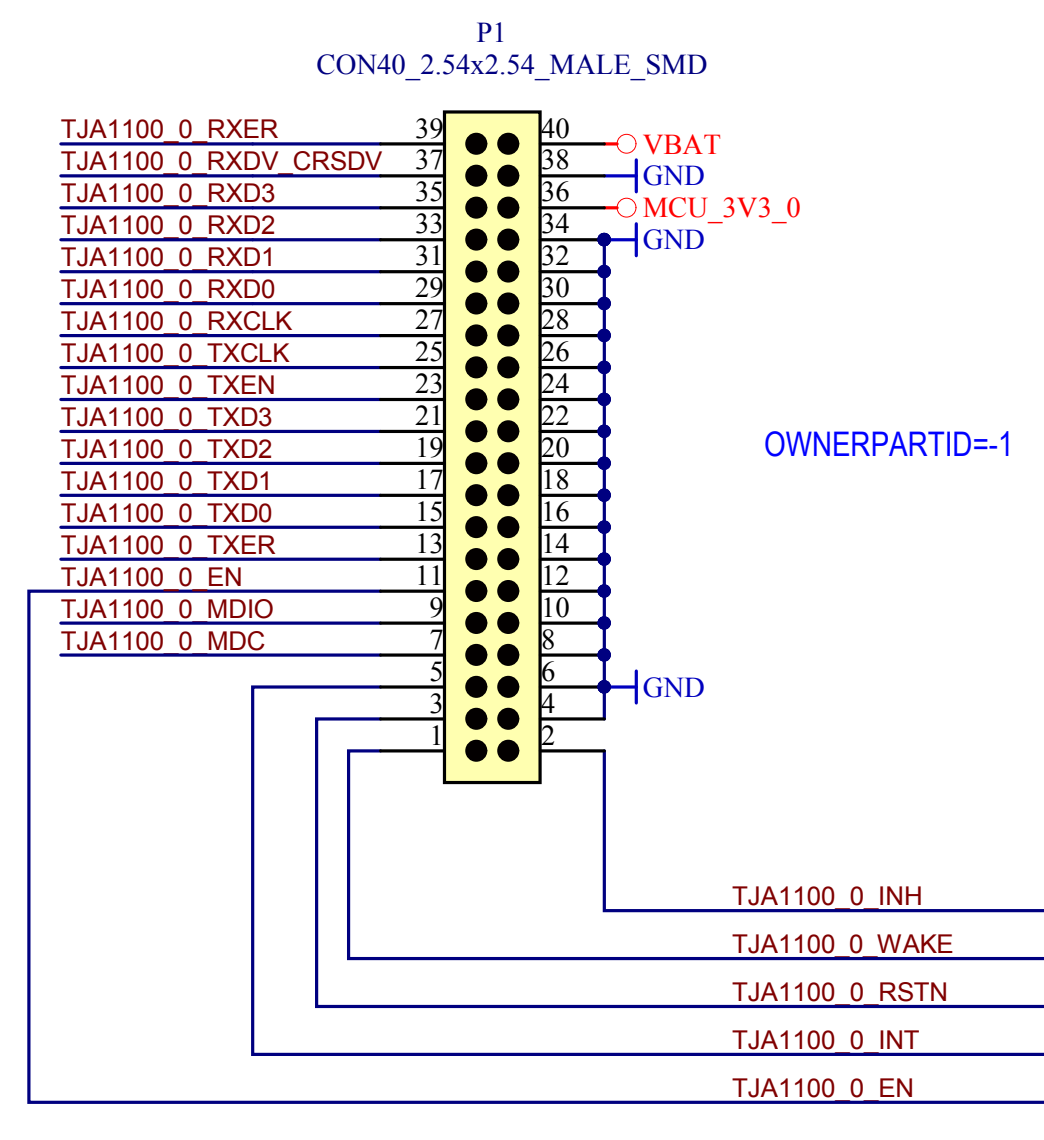
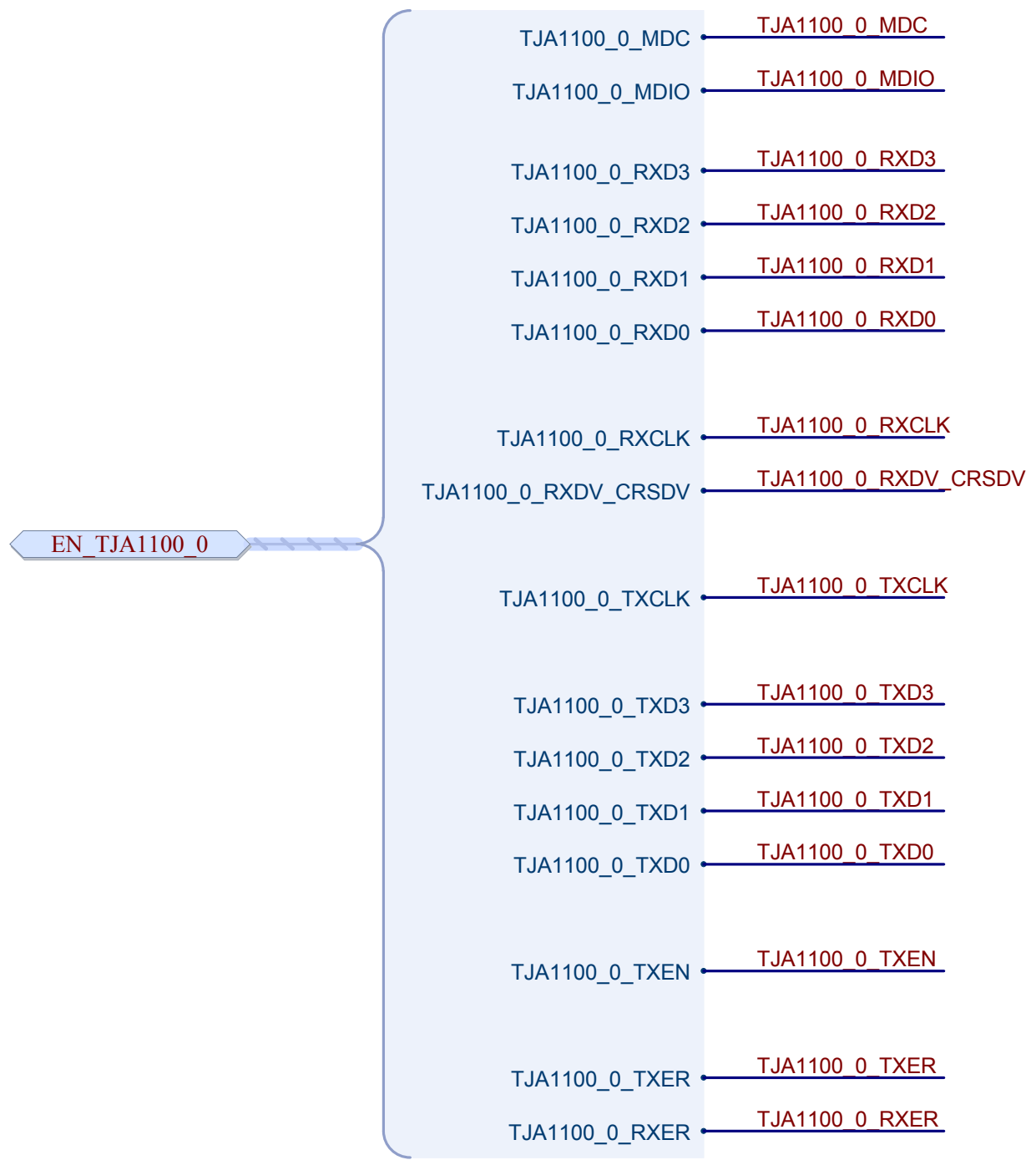
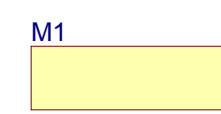
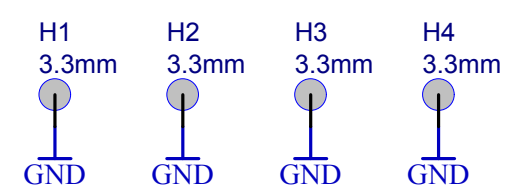
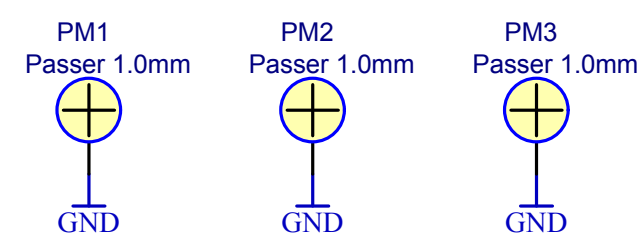
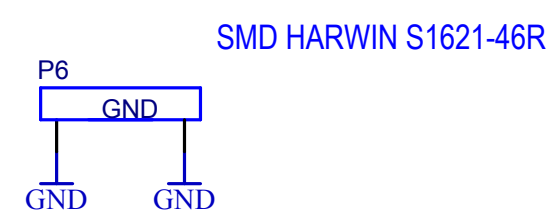


Customer PHY Board V6

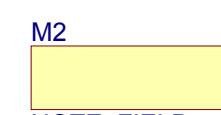




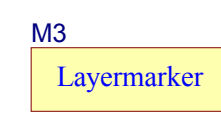




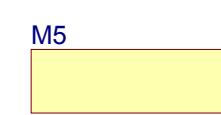
NXP_LOGO



NOTE_FIELD



LM4_MINI



Customer Phy-Board
 Mechanical
 NXP Semiconductors Hamburg



LID 2262
 Version 6
 Revision A
 Designer Steffen Lorenz
 SheetA3 4 of 4
 Date 15.08.2016
 Time 10:46:25

NXP

NXP Semiconductors
Hamburg Germany

Aug. 2016

LID2262

GND

P7

Bitstrapping

- High
- Low

MII1

MII0

Auto/Host

Master/Slave

PHYAD1

PHYADD

Customer Phy Board V6

39

40

1

2

C61 TR13

R3

R6

P2

C13

IC12

R46

R44

R4

Vbat

3U3

Wake

GND

P6

TR1

D10

R10

C4

R16

C2

C28

L1

IC1

C14

L

R8

RL5

C3

RL4

C5

L3

IC18

L2

L1

C2

X1

L2

L1

R43

R15

R1

R2

00=MII

01=RMII

10=RMII

11=Rev.MII

50

25

11

P1

LID2262

GND

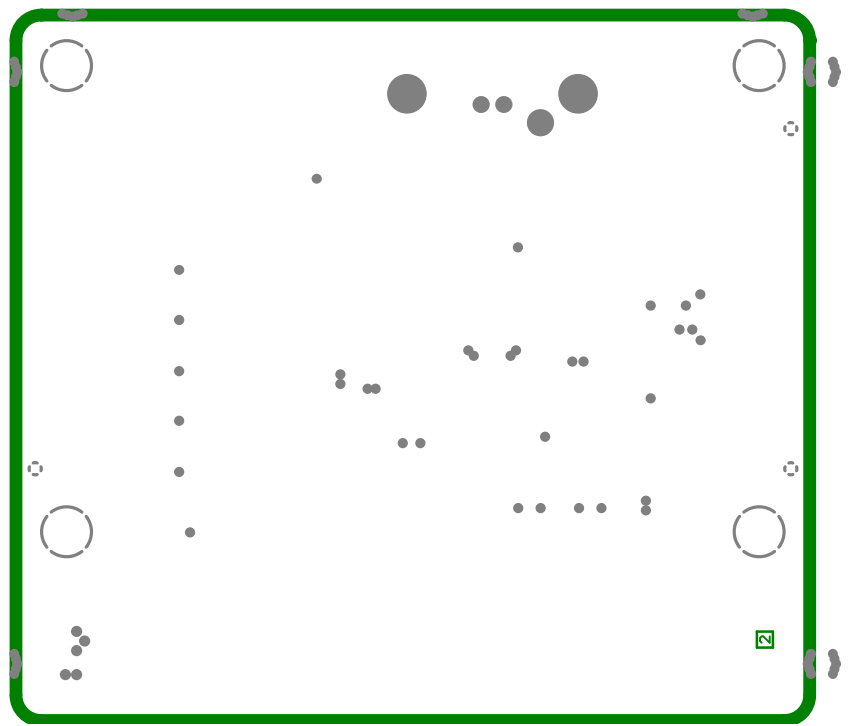
P6

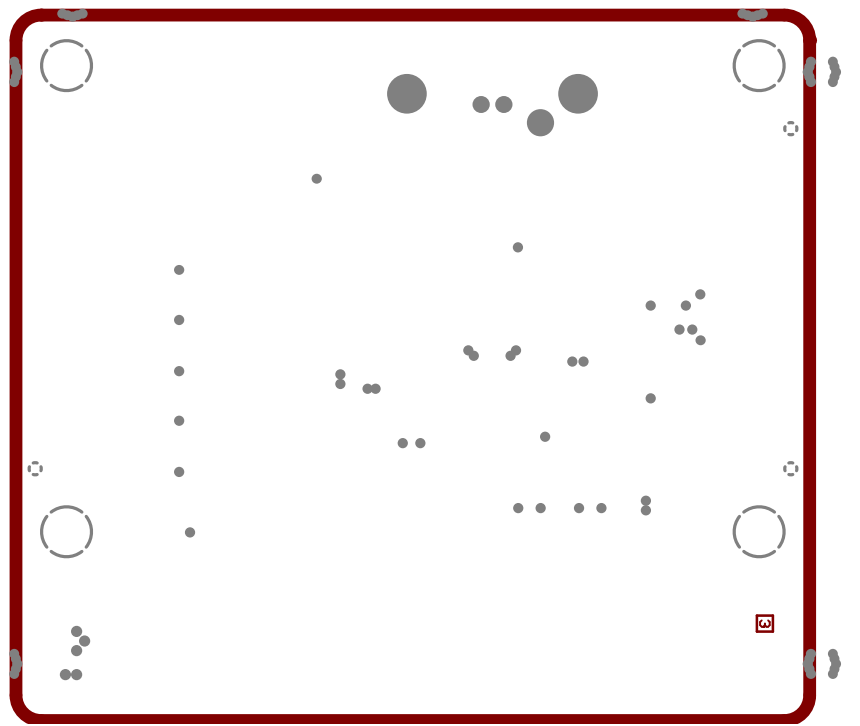
LID2262

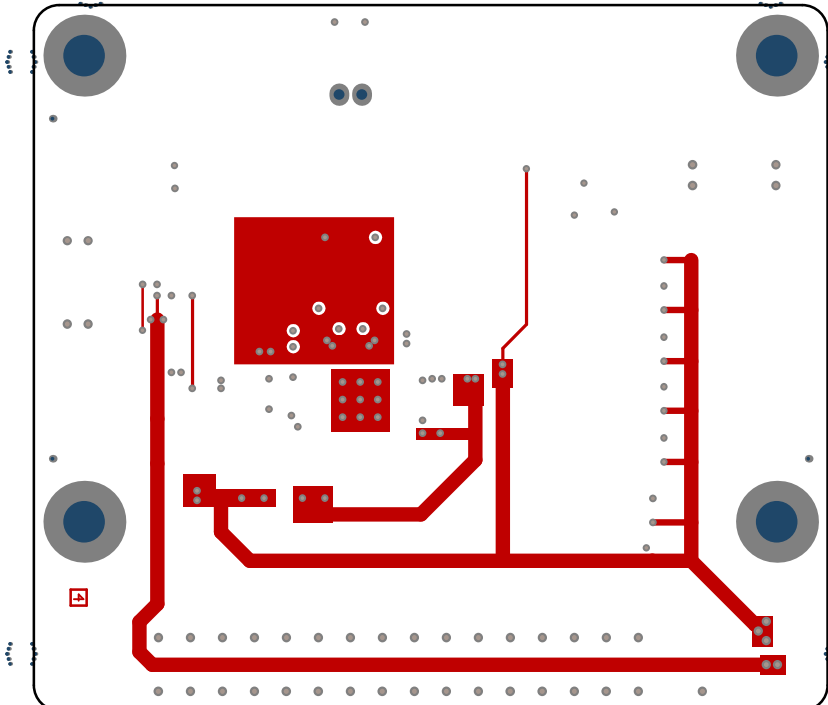
GND

P6

LID2262





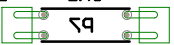


nxp

NXP Semiconductors
Hamburg Germany
Ard. 2016

L1DSS2S

END



MII0

Auto\Host

Master\Slave

PHYAD1

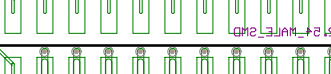
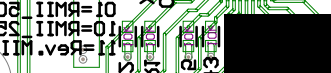
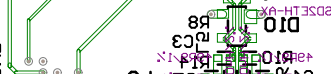
PHYAD0

3a

40

P5

C13EFC1S



R4E

R4D

R4C

R4B

R4A

R4

R4

R4

R4

R4

R4

R4

R4

R4

R4

R4

R4

R4

R4

R4

R4

R4

R4

R4

R4

R4

R4

R4E

R4D

R4C

R4B

R4A

R4

R4

R4

R4

R4

R4

R4

R4

R4

R4

R4

R4

R4

R4

R4

R4

R4

R4

R4

R4

R4

R4

R4E

R4D

R4C

R4B

R4A

R4

R4

R4

R4

R4

R4

R4

R4

R4

R4

R4

R4

R4

R4

R4

R4

R4

R4

R4

R4

R4

R4

R4E

R4D

R4C

R4B

R4A

R4

R4

R4

R4

R4

R4

R4

R4

R4

R4

R4

R4

R4

R4

R4

R4

R4

R4

R4

R4

R4

R4

R4E

R4D

R4C

R4B

R4A

R4

R4

R4

R4

R4

R4

R4

R4

R4

R4

R4

R4

R4

R4

R4

R4

R4

R4

R4

R4

R4

R4

R4E

R4D

R4C

R4B

R4A

R4

R4

R4

R4

R4

R4

R4

R4

R4

R4

R4

R4

R4

R4

R4

R4

R4

R4

R4

R4

R4

R4

R4E

R4D

R4C

R4B

R4A

R4

R4

R4

R4

R4

R4

R4

R4

R4

R4

R4

R4

R4

R4

R4

R4

R4

R4

R4

R4

R4

R4

R4E

R4D

R4C

R4B

R4A

R4

R4

R4

R4

R4

R4

R4

R4

R4

R4

R4

R4

R4

R4

R4

R4

R4

R4

R4

R4

R4

R4

R4E

R4D

R4C

R4B

R4A

R4

R4

R4

R4

R4

R4

R4

R4

R4

R4

R4

R4

R4

R4

R4

R4

R4

R4

R4

R4

R4

R4

R4E

R4D

R4C

R4B

R4A

R4

R4

R4

R4

R4

R4

R4

R4

R4

R4

R4

R4

R4

R4

R4

R4

R4

R4

R4

R4

R4

R4

R4E

R4D

R4C

R4B

R4A

R4

R4

R4

R4

R4

R4

R4

R4

R4

R4

R4

R4

R4

R4

R4

R4

R4

R4

R4

R4

R4

R4

R4E

R4D

R4C

R4B

R4A

R4

R4

R4

R4

R4

R4

R4

R4

R4

R4

R4

R4

R4

R4

R4

R4

R4

R4

R4

R4

R4

R4

R4E

R4D

R4C

R4B

R4A

R4

R4

R4

R4

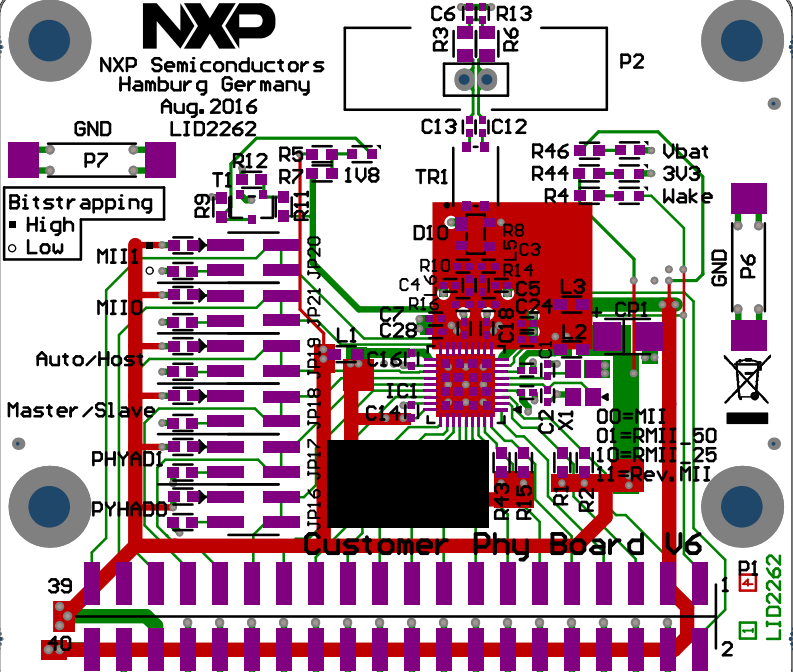
<

NXP

NXP Semiconductors
Hamburg Germany

Aug. 2016
LID2262

Bitstrapping
■ High
○ Low



Customer Phy Board U6

LID2262

00=MII
01=RMII
10=RMII
11=Rev. MII

50
25

1
2



NXP Semiconductors
Hamburg Germany

Aug. 2016

LID2262

GND

P7

Bitstrapping

- High
- Low

MII1

MII0

Auto/Host

Master/Slave

PHYAD1

PHYAD0

R12 R5
T1 R7 1V8

R9

R11

C13 IC12

TR1

R46 R44 R4

Ubat
3V3
Wake

D10

R10

C4

C28

C16

IC1

C14

R43 R15

R1 R2

X1

C2

C1

L1

L2

L3

R8

RL5

C3

R14

C5

C18

C24

L3

L2

CP1

L1

L2

L3

L3

L3

P2

GND

P6



00=MII
01=RMI1_50
10=RMI1_25
11=Rev. MII

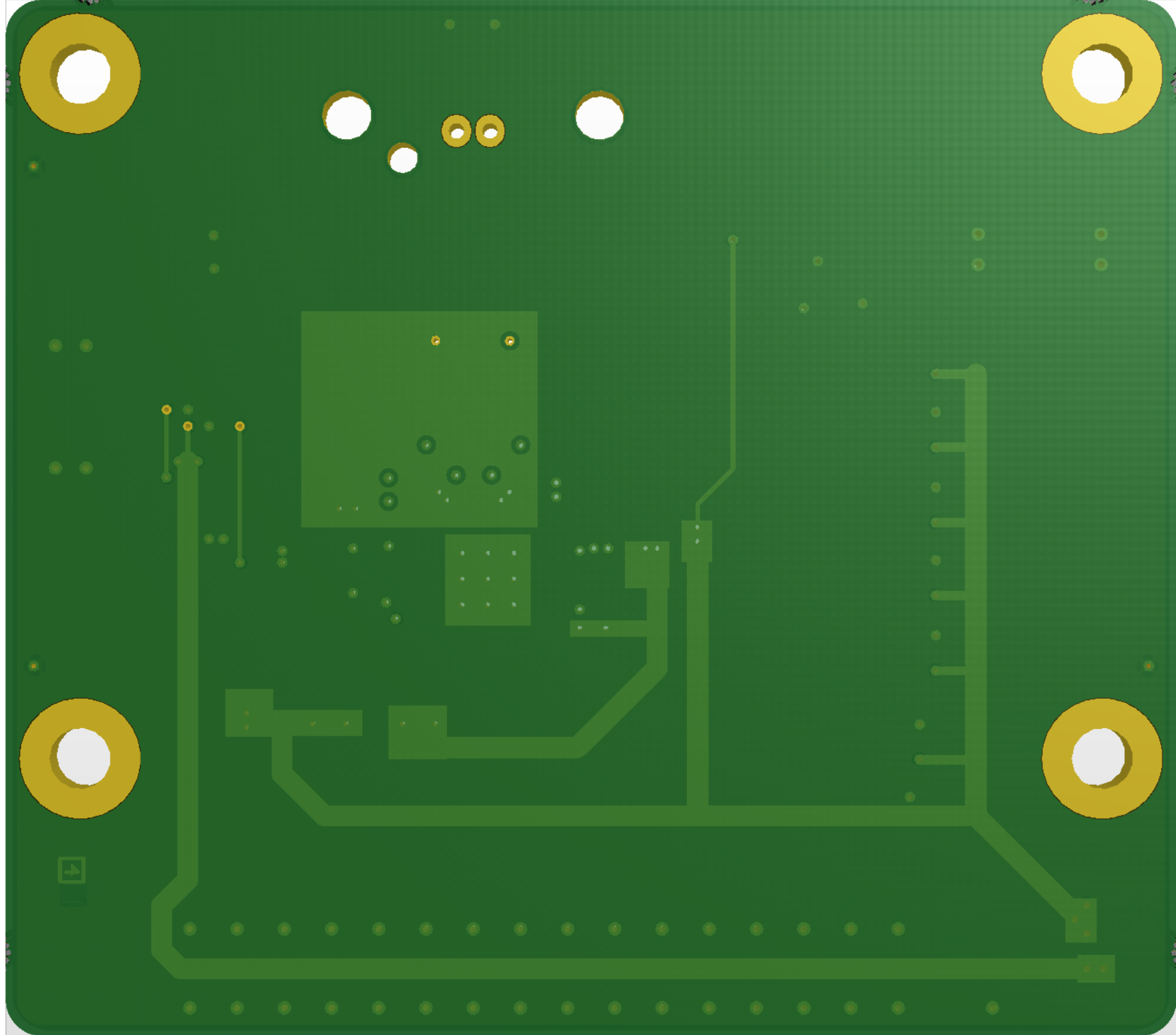
Customer Phy Board V6

P1

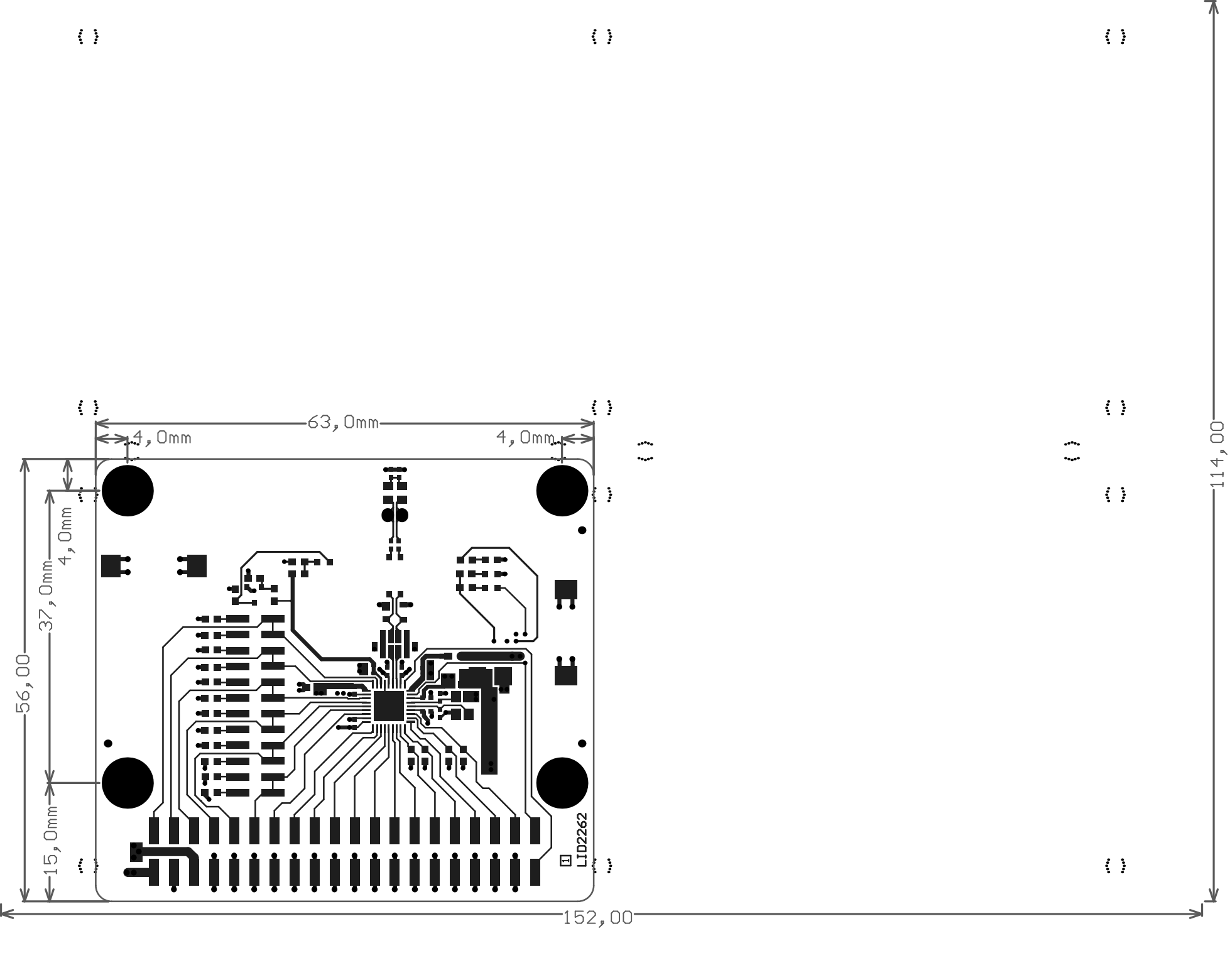
39

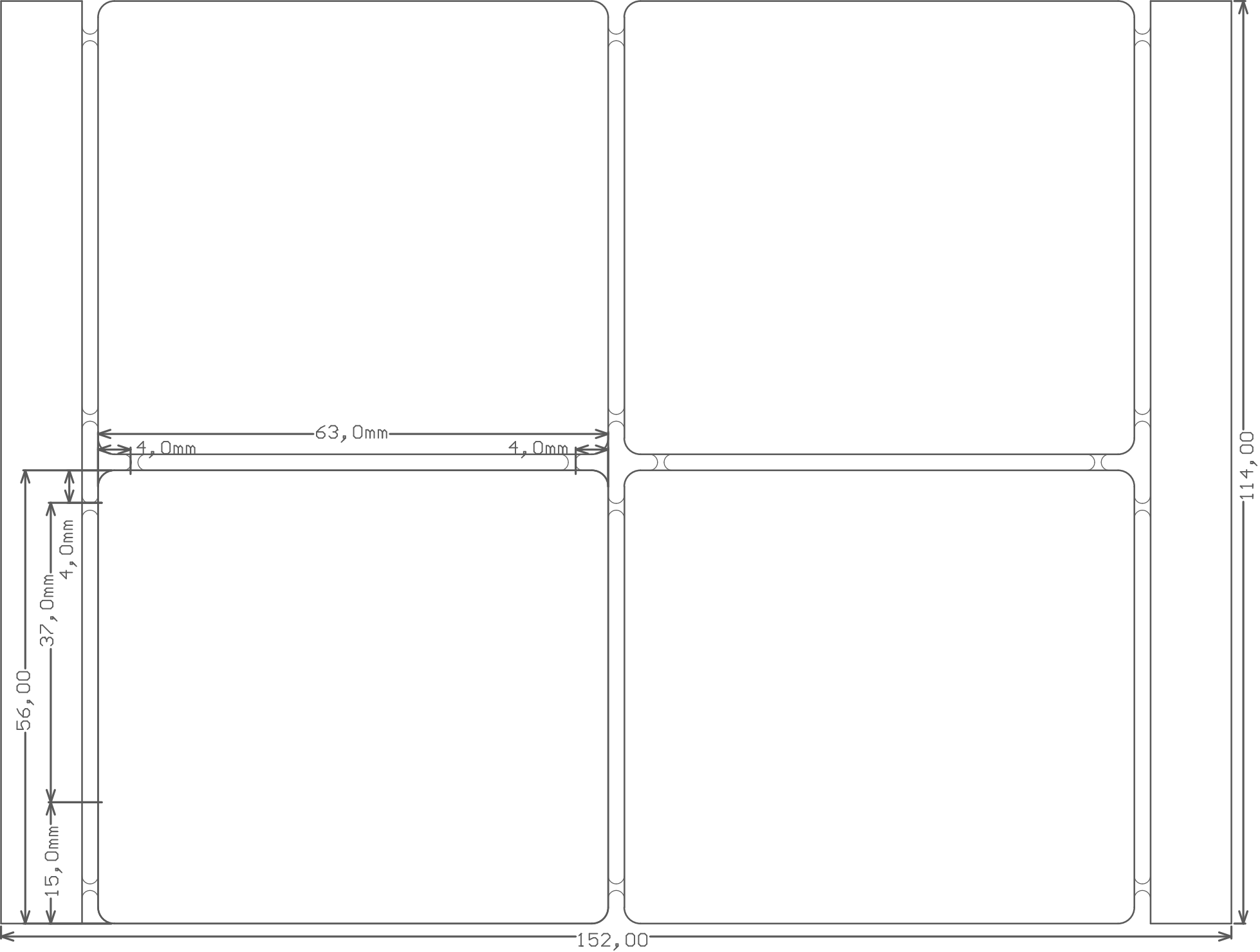
40

LID2262



Comment	Quantity	LibRef	Designator	Description	Footprint	ITEMID
0R	1	0R	R9		0603	159
47R	1	47R	R7		0603	194
750R	1	750R	R44		0603	218
680R	1	680R	R4		0603	219
nc/390R	1	390R	R5		0603	225
10k	16	10k	R1, R2, R15, R43, R47, R48, R49, R50, R51, R52, R53, R54, R55, R56, R57, R58		0603	241
nc/10k	1	10k	R11		0603	241
5k1	1	5k1	R46		0603	248
nc/100k	1	100k	R12		0603	269
47p/5%	2	47p	C3, C4	capacitor 0402 50V NP0	0402	1223
15p	2	15p	C1, C2	capacitor 0402 50V NP0	0402	1229
1n	1	1n	C5		0402	1238
10n	1	10n	C7		0402	1243
49R9/1%	4	49R9	R8, R10, R14, R16		0402	10464
100k	1	100k	R13		0402	10466
CON40_2.54x2.54_MALE_SMD	1	CON40_2.54x2.54_MALE	P1	male header, double row, 2.54x2.54mm, 40 pin		11665
100n	7	100n	C12, C13, C14, C16, C18, C20, C24	X7R,16V,10%	0402	11977
nc/BC847B	1	BC847B	T1	NPN general purpose transistor_45V_100mA	SOT23	12233
0R/BLM18AG601SN1	3	BLM18AG601SN1	L1, L2, L3	600R@100MHZ, 200mA, DC0.5ohm	0603_BLM18	13058
4n7	1	4n7	C6	capacitor murata 0402 50V X7R	0402_050	14326
1V8	1	LG_L29K	LED4	Green,2mA, 0603, 1V8, 7mcd	D0603_Osram	15081
3V3	1	LG_L29K	LED1	Green,2mA, 0603, 1V8, 7mcd	D0603_Osram	15081
Vbat	1	LG_L29K	LED3	Green,2mA, 0603, 1V8, 7mcd	D0603_Osram	15081
Wake	1	LG_L29K	LED2	Green,2mA, 0603, 1V8, 7mcd	D0603_Osram	15081
120nH/2%	2	LQG15HHR12G02	L5, L6	120nH, 200mA, 3.3ohm, 100MHZ, +-2%	0402	15274
RXD0 = PYHAD0	1	CON4_2x2_SMD_MALE	JP16	male header, double row, 2x2mm, SMD, 4 pin	CON4_2x2_SMD_MALE	15421
RXD1 = PHYAD1	1	CON4_2x2_SMD_MALE	JP17	male header, double row, 2x2mm, SMD, 4 pin	CON4_2x2_SMD_MALE	15421
RXD2 = Master/Slave	1	CON4_2x2_SMD_MALE	JP18	male header, double row, 2x2mm, SMD, 4 pin	CON4_2x2_SMD_MALE	15421
RXD3 = Auto/Host	1	CON4_2x2_SMD_MALE	JP19	male header, double row, 2x2mm, SMD, 4 pin	CON4_2x2_SMD_MALE	15421
RXDV = MII0	1	CON4_2x2_SMD_MALE	JP21	male header, double row, 2x2mm, SMD, 4 pin	CON4_2x2_SMD_MALE	15421
RXER = MII1	1	CON4_2x2_SMD_MALE	JP20	male header, double row, 2x2mm, SMD, 4 pin	CON4_2x2_SMD_MALE	15421
Jumper Stecker 6mm 2mm black	6	Jumper Stecker 6mm 2MM black	JS1, JS2, JS3, JS4, JS5, JS6	Jumper Stecker 6mm 2MM offen black	Jumper_6M_2MM	15632
TJA1100	1	TJA1100	IC1	BroadR-Reach Ethernet PHY	SOT1092-2/HVQFN36	16246
470n	3	470n	C22, C26, C28		0402	16333
25.00MHz_TSX3225	1	25.00MHz_TSX3225	X1	SMD Crystal, 25.00 MHz	SMD3.2x2.5MM	18385
Delphi_Ethernet_A MEC100	1	Delphi_Ethernet_A MEC100	P2	Delphi_Ethernet		19279
22u/16V	1	22u/16V	CP1	capacitor electrolytic SMD, 22uF/16V	CP_B	19280
GND	2	BridgeS1621	P6, P7	SMD HARWIN S1621-46R		19281
1k/0,5W	2	1k0	R3, R6	+ -1%, 0.5W, 0805	0805	19433
PESD2ETH-AX	1	PESD2ETH-AX	D10	Ultra low capacitance double rail-to-rail ESD protection diode	SOT143B	19702
ACT45L-201-2P-TL000	1	ACT45L-201-2P-TL000	TR1	200uH Common mode Filter for Ethernet, 50Ohm DC, 50VDC	ACT45L	19708
3.3mm	4	HOLE33_GND	H1, H2, H3, H4	no component	HOLE33_GND	20000
LM4_MINI	1	LM4_MINI	M3	Layer Marker	LM_4_Mini	20000
LOGO RECYCLE BIN	1	LOGO RECYCLE BIN	M5	LOGO Recycle Bin	LOGO_RECY_5MM	20000
NOTE_FIELD	1	NOTE_FIELD	M2	NOTE_FIELD	FIELD	20000
NXP_LOGO	1	NXP_LOGO	M1	NXP_LOGO	NXP LOGO	20000





NUTZEN 2*2