


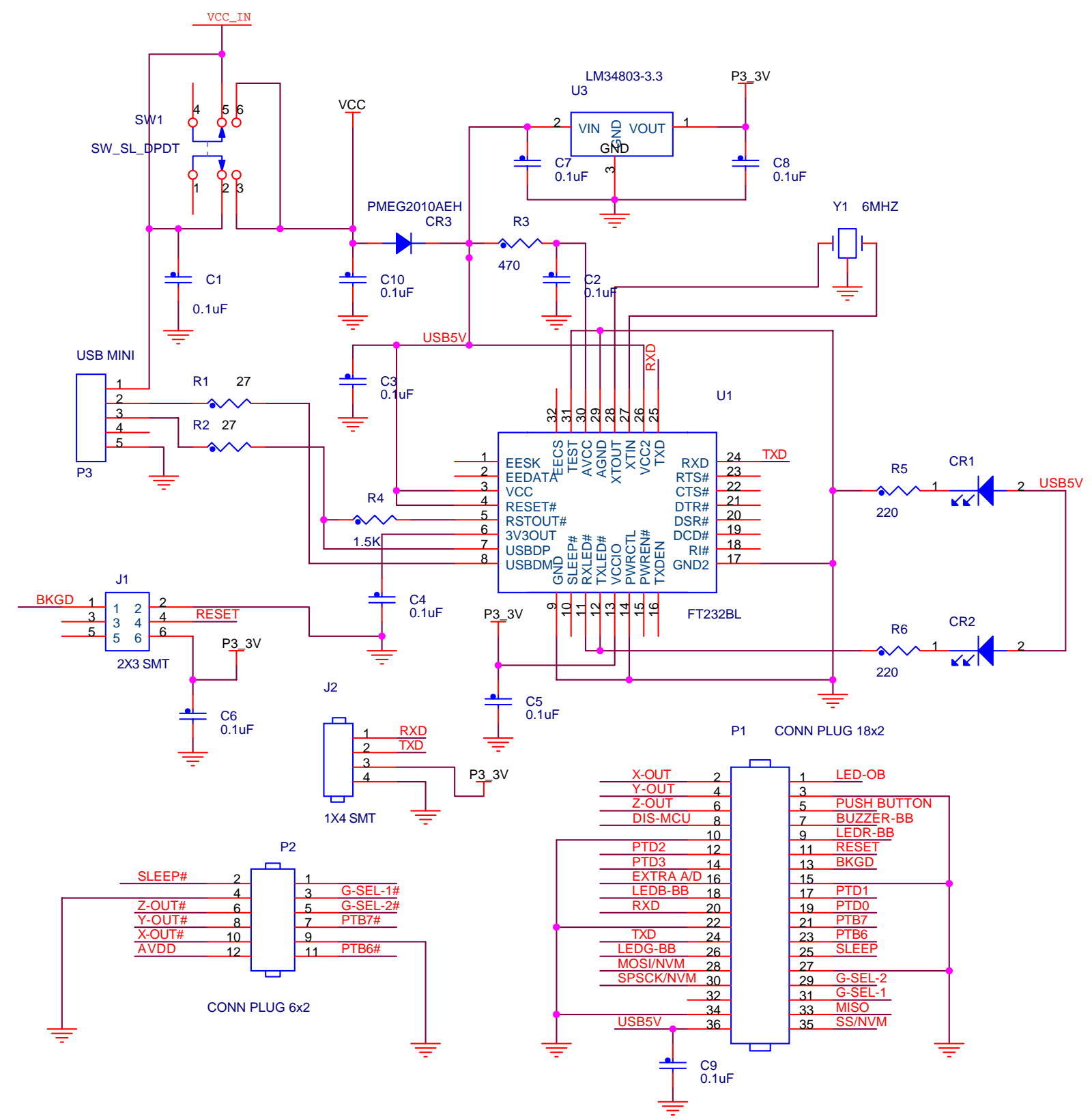
Revisions		
Rev	Description	Date
C	Original Release	xx-xx-xx

3	USB Schematic
4	
5	

NOTES:

- UNLESS OTHERWISE SPECIFIED:
RESISTANCE VALUES ARE IN OHMS.
RESISTORS ARE 1/0 W, ±1% or 1/8W, ±5%.
CAPACITANCE VALUES ARE IN MICROFARADS, ±10% or ±20%.
POLARIZED CAPACITORS ARE TANTALUM.
- INTERRUPTED LINES CODED WITH THE SAME LETTER OR LETTER COMBINATIONS ARE ELECTRICALLY CONNECTED.
- DEVICE TYPE NUMBER IS FOR REFERENCE ONLY. THE NUMBER VARIES PER MANUFACTURER.
- SPECIAL SIGNAL USAGE:
_B DENOTES - ACTIVE-LOW SIGNAL
<> OR [] DENOTES - VECTORED SIGNALS
- INTERPRET DRAWING IAW ANSI SPECIFICATIONS, CURRENT REVISION, WITH THE EXCEPTION OF LOGIC BLOCK SYMBOLOGY.

THIS DOCUMENT CONTAINS INFORMATION PROPRIETARY TO FREESCALE SEMICONDUCTOR AND SHALL NOT BE USED FOR ENGINEERING DESIGN. PROCUREMENT OR MANUFACTURE IN WHOLE OR IN PAR WITHOUT CONSENT OF FREESCALE SEMICONDUCTOR			
Drawn by: CDC Technologies, Inc		Date: 7/13/2009	
Designer: CDC Technologies, Inc		Ref: CDC1862	
Approved: Daniel Beeker		Date: 7/13/2009	
Quality: Daniel Beeker		Date: 7/13/2009	
TITLE: USB		DETROIT AUTOMOTIVE TECHNOLOGY CENTER 28125 Cabot Drive, Suite 100 Novi, MI 48377	
SIZE B	GEDTTL: GEDABV:	DWG. NO. LFSTBUSB	REV: C
LAST MODIFIED= Tuesday, July 14, 2009		SHEET 1 of 2	



		Detroit Automotive Technology Center 28125 Cabot Drive, Suite 100 Novi, MI 48377	
		This document contains information proprietary to Freescale Semiconductor and shall not be used for engineering design, procurement or manufacture in whole or in part without the express written permission of Freescale Semiconductor.	
Drawn by: CDC Tech Inc	Date: 7/13/2009	Drawing Title: AUDIT 2	
Designer: CDC Tech Inc	Ref: CDC1862	Page Title: USB Schematic	
Approved: Daniel Beeker	Date: 7/13/2009	Document Number: LFSTBUSB	
Quality: Daniel Beeker	Date: 7/13/2009	Rev C	
Date: Tuesday, July 14, 2009		Sheet 2 of 2	Size B