



Table of Contents	
	Title
2	Notes
3	Sensors

# FRDM-STBC-AGM01

		<b>RF, Analog &amp; Sensor Group</b>	
This document contains information proprietary to Freescale Semiconductor and shall not be used for engineering design, procurement or manufacture in whole or in part without the express written permission of Freescale Semiconductor.		6201 William Carson Drive West Austin, TX 78735-6098	
ICAP Classification: FCP: _____ FMO: X PUBE: _____		Drawing Title: <b>FRDM-STBC-AGM01</b>	
Designer: Kraib S	Drawn by: Kraib S	Page Title: <b>CONTENT</b>	
Approved: Team	Size C	Document Number SCH-28566 PDF: SPF-28566	Rev B
Date: Wednesday, December 31, 2014		Sheet 1 of 1	



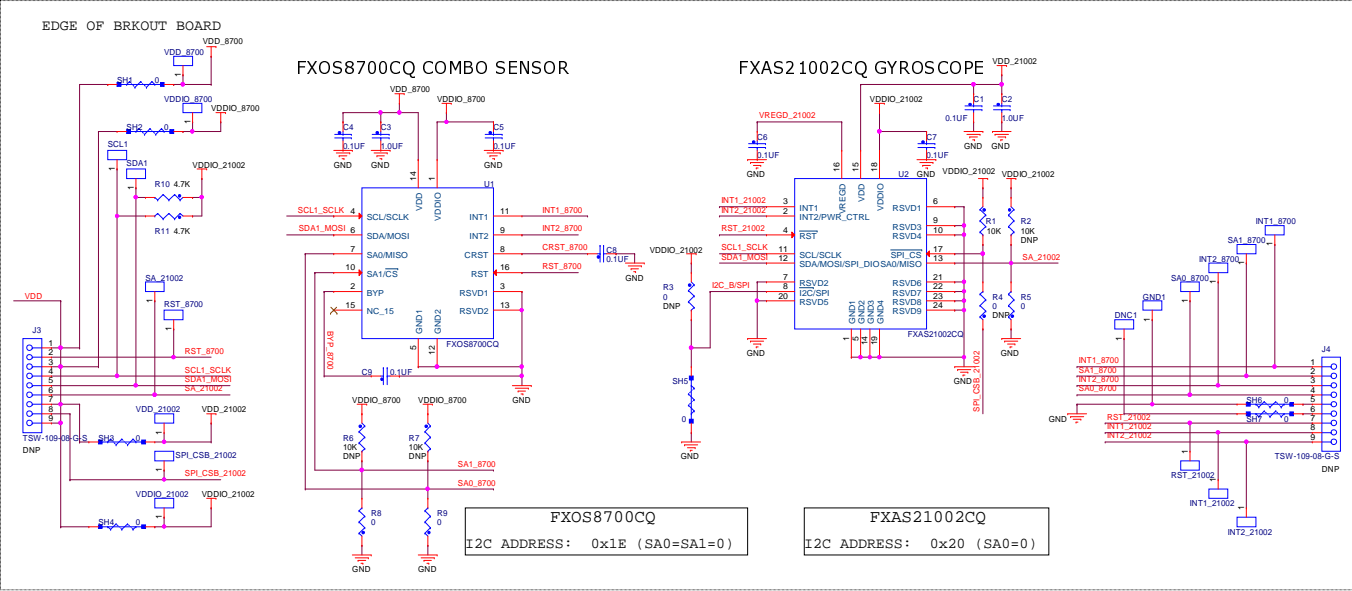
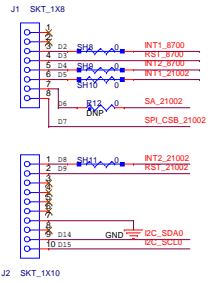
unless Otherwise Specified:  
All resistors are in ohms, 5%, 1/8 Watt  
All capacitors are in uF, 20%, 50V  
All voltages are DC  
All polarized capacitors are aluminum electrolytic

2. Interrupted lines coded with the same letter or letter combinations are electrically connected.
3. Device type number is for reference only. The number varies with the manufacturer.
4. Special signal usage:  
\_B Denotes - Active-Low Signal  
<> or [] Denotes - Vectored Signals
5. Interpret diagram in accordance with American National Standards Institute specifications, current revision, with the exception of logic block symbology.

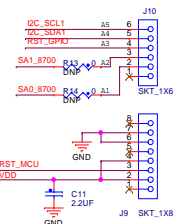
ICAP Classification: FCP: _____ FLUG: X PURL: _____		
Drawing Title: <b>FRDM-STBC-AGM01</b>		
Page Title: <b>NOTES</b>		
Size C	Document Number SCH-28566 PDF: SPP-28566	Rev B
Date: <b>Wednesday, December 31, 2014</b>		Sheet <b>2</b> of <b>3</b>



SHIELD BOARD ARDUINO HEADER

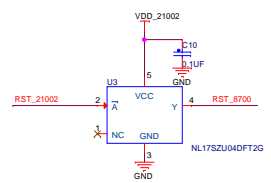
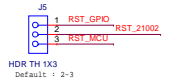
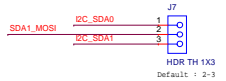


SHIELD BOARD ARDUINO HEADER



FXOS8700CQ  
I2C ADDRESS: 0x1E (SA0=SA1=0)

FXAS21002CQ  
I2C ADDRESS: 0x20 (SA0=0)



**freescale**

ICAP Classification: FCP: \_\_\_\_\_ FLUG: X PUR: \_\_\_\_\_  
 Drawing Title: **FRDM-STBC-AGM01**

Page Title: **SENSORS**

Size C Document Number SCH-28566 PDF: SPP-28566 Rev B  
 Date: Wednesday, December 31, 2014 Sheet 3 of 3