



# UM10709

PCA9956B demonstration board OM13321

Rev. 2 — 11 August 2017

User manual

## Document information

| Info            | Content   |
|-----------------|---|
| <b>Keywords</b> | Fm+ I2C-bus, PCA9956B, RGB and White LEDs, 24-channel x 8-bit PWMs  |
| <b>Abstract</b> | The OM13321 is an add-on to 9-pin connector of the NXP I2C demo board 2005-1 or Fm+ I2C Bus development board. This daughter board makes it easy to test and design with the PCA9956B, a 24-channel Fast-mode Plus (Fm+) 57 mA constant current and outputs allow up to 20 V for LED supply. This demo board, along with the Win-I2CUSB Lite GUI (PC based), provides an easy to use evaluation platform. |



**Revision history**

| Rev | Date     | Description   |
|-----|----------|---|
| 2.0 | 20170811 | Changed PCA9956A to PCA9956B throughout; updated <a href="#">Figure 3</a> , <a href="#">Figure 4</a> , <a href="#">Figure 5</a> |
| 1.0 | 20131216 | User manual; initial release.   |

**Contact information**

For more information, please visit: <http://www.nxp.com>

For sales office addresses, please send an email to: [salesaddresses@nxp.com](mailto:salesaddresses@nxp.com)

## 1. Introduction

---

The PCA9956B evaluation board features LEDs for color mixing, blinking and dimming demonstrations. A graphical interface allows the user to easily explore the different functions of the driver. The board can be connected in series with other I<sup>2</sup>C demo-boards to create an evaluation system.

The IC communicates to the host via the industry standard I<sup>2</sup>C-bus/SMBus port. The evaluation software runs under Microsoft Windows PC platform.

## 2. Features

---

- A complete evaluation platform for the PCA9956B 24-channel Fm+ I<sup>2</sup>C-bus constant current LED driver
- Easy to use GUI-based software demonstrates the capabilities of the PCA9956B
- On-board eight RGB LEDs for visual experience
- Convenient test points for easy scope measurements and signal access
- USB interface to the host PC
- No external power supply required

## 3. Getting started

---

### 3.1 Assumptions

Familiarity with the I<sup>2</sup>C-bus is helpful, but not required.

### 3.2 Static handling requirements

#### CAUTION



This device is sensitive to ElectroStatic Discharge (ESD). Therefore care should be taken during transport and handling. You must use a ground strap or touch the PC case or other grounded source before unpacking or handling the hardware.

### 3.3 Minimum system requirements

- PC Pentium 60 processor (or equivalent), 8 MB RAM, 10 MB of hard drive space
- One USB port (either 2.0 or 1.1 compatible)
- Windows 98SE, ME, 2000, XP, or Vista
- I2C demonstration board 2005-1 (OM6275) or WIN-I2CUSB board (from <http://www.demoboard.com>)

### 3.4 Power requirements

The NXP demonstration board I2C 2005-1 and OM13321 hardware obtain power from the PC USB port. Care should be taken not to exceed the USB port current capabilities.

## 4. Installation

### 4.1 I2C demo board 2005-1 and WIN-I2CUSB Lite software

The OM13321 is a daughter card to the OM6275 I<sup>2</sup>C demo board 2005-1. You may download the WIN-I2CUSB Lite Software, the OM6275 user manual UM10206, and find ordering information at the NXP web site <http://www.nxp.com/demoboard/OM6275.html>.

The Win-I2CUSB Lite software from The Boardshop runs on Windows 98SE, ME, 2000, and XP and is compatible with any PC hardware having a minimum of a Pentium processor and an USB port. The software allows the user to select one of the I<sup>2</sup>C-bus devices on the board from a menu and also provides a Universal mode (I<sup>2</sup>C Expert mode) to allow users to create their own I<sup>2</sup>C-bus commands with the same I<sup>2</sup>C-bus devices.

### 4.2 OM13321 connection to I2C demo board 2005-1

The I2C demo board 2005-1 should be disconnected from your PC before mounting the OM13321 board on to it. The OM13321 board has a 9-pin female connector (CON2) that connects to the JP1 male connector on the I2C demo board 2005-1 as shown in [Figure 1](#).

With both boards facing you, and with USB connector on the right-hand side as shown in [Figure 1](#), connect the OM13321 board to the I2C demo board 2005-1 before connecting the USB cable. Once the board is connected, connect the USB cable and start the WIN-I2CUSB Lite software. You are now ready to evaluate the PCA9956B.

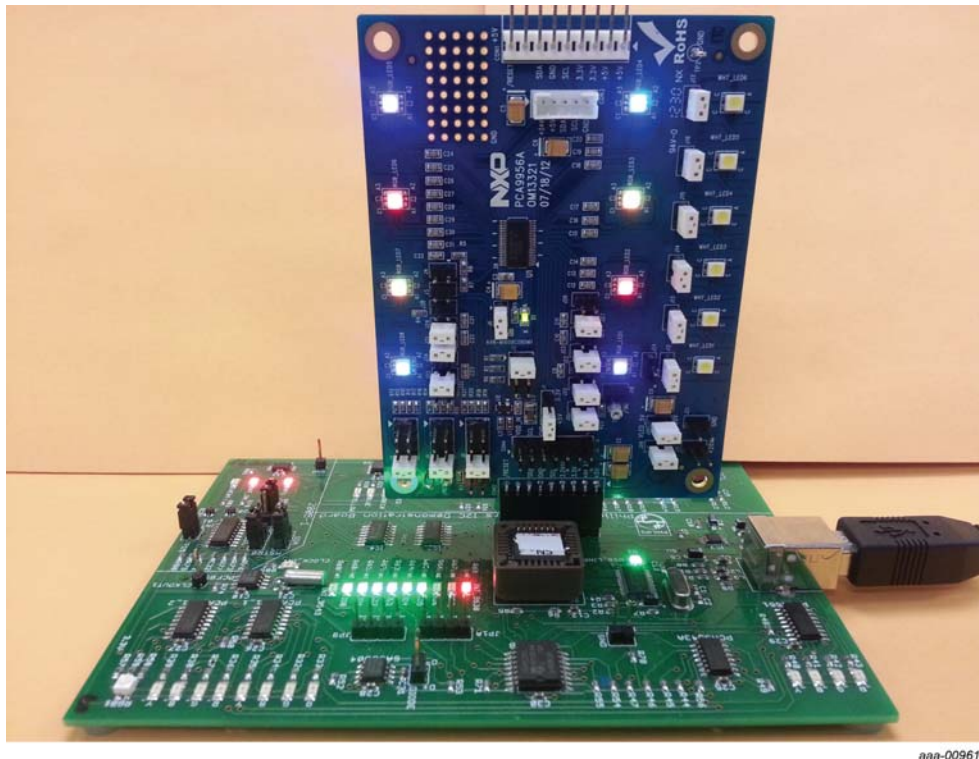
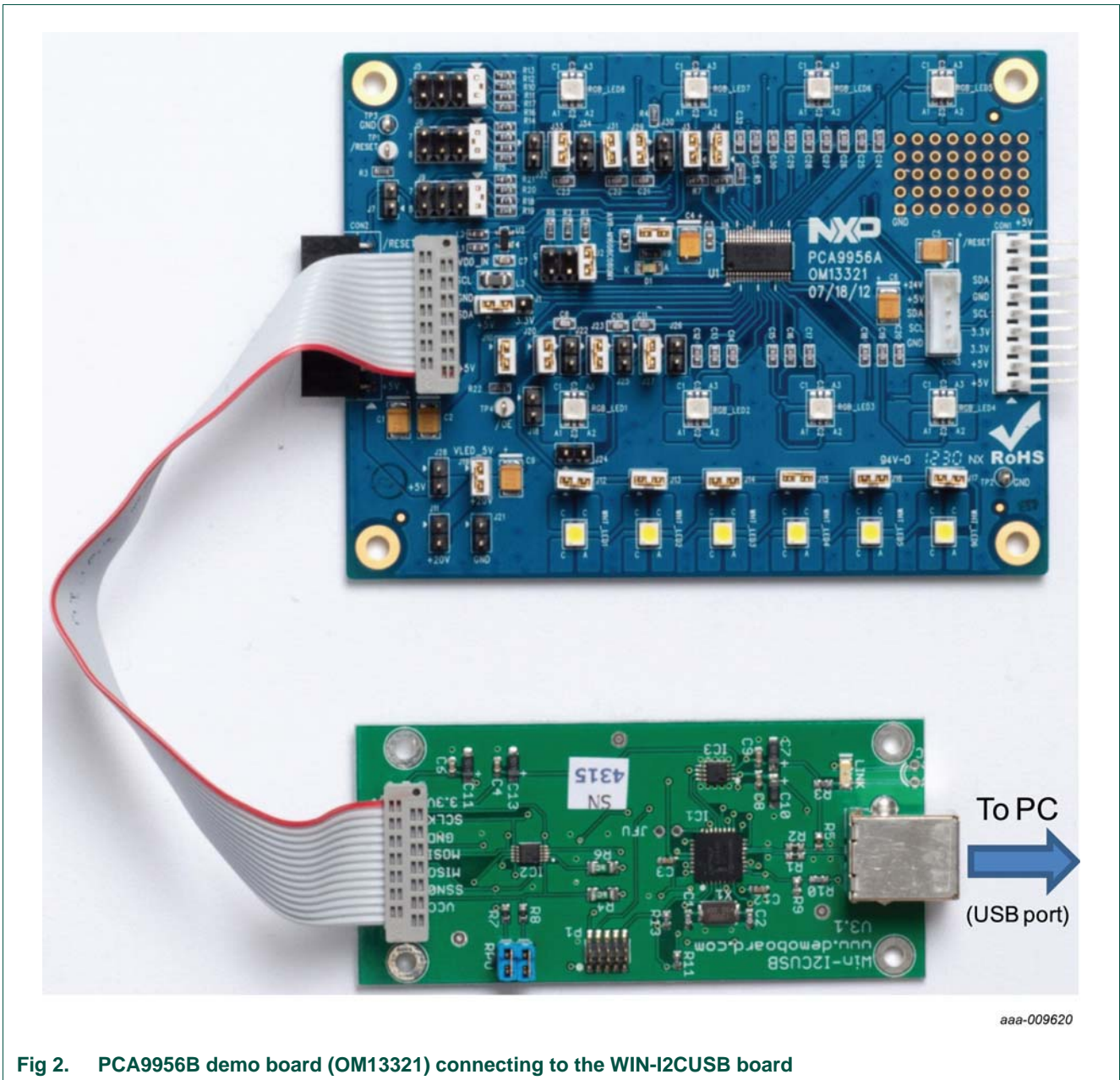


Fig 1. PCA9956B demo board (OM13321) mounting to the I2C demo board 2005-1 (OM6275)

### 4.3 OM13321 connection to WIN-I2CUSB hardware adapter board

The Win-I2CUSB board should be disconnected from your PC before connecting the OM13321 board on to it. The OM13321 board has a 14-pin male connector (CON4) that connects to the 14-pin male connector (J1) on the Win-I2CUSB board as shown in [Figure 2](#).

Connect the OM13321 board to the Win-I2CUSB board before connecting the USB cable. Once the board is connected, connect the USB cable and start the WIN-I2CUSB Lite software. You are now ready to evaluate the PCA9956B.



## 5. Hardware description

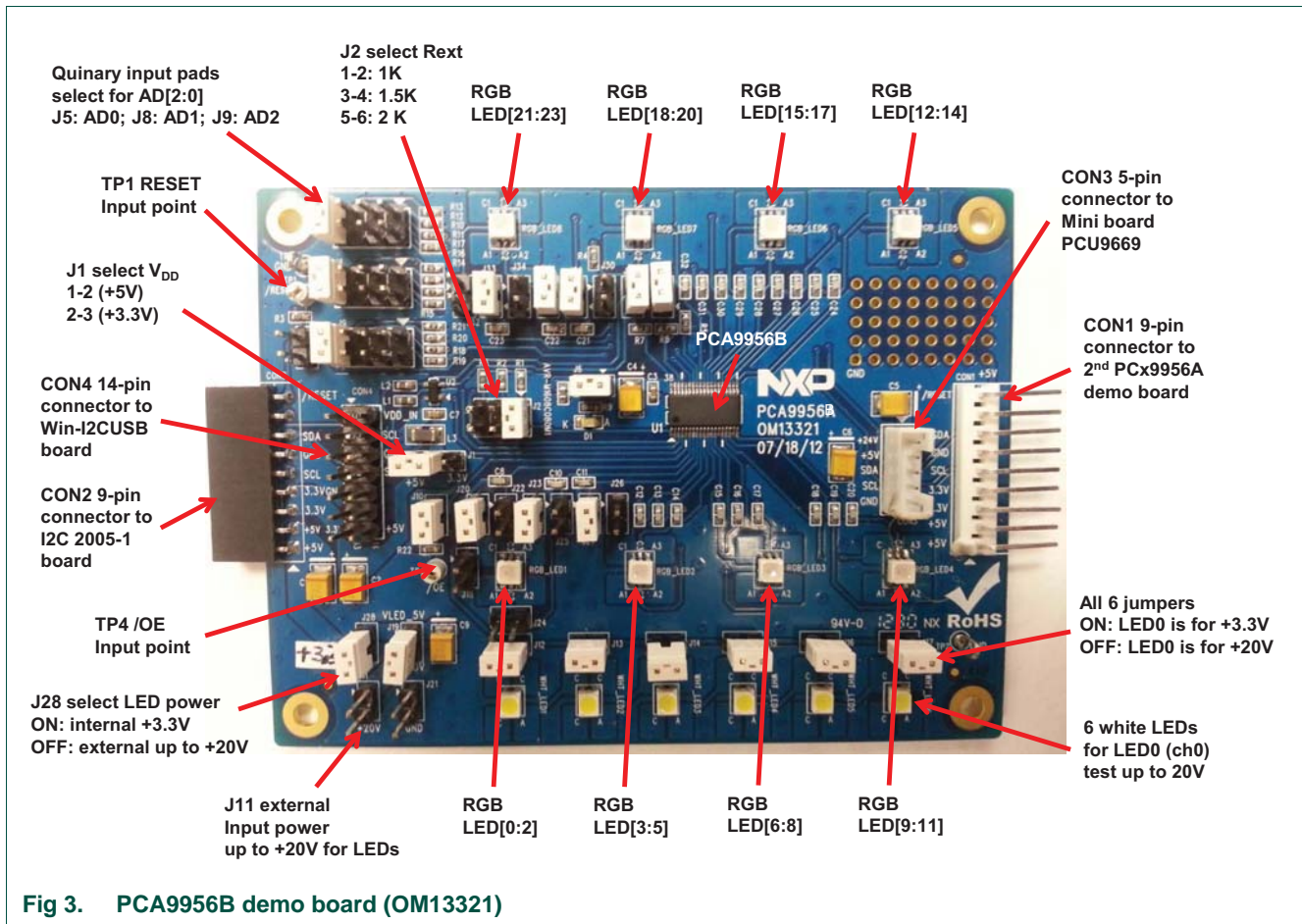


Fig 3. PCA9956B demo board (OM13321)

Figure 3 shows the following items on the hardware:

- CON1 (9-pin male connector) is used to daisy-chain to next I<sup>2</sup>C-bus slave device or demo board.
- CON2 (9-pin female connector) is connected to JP1 on I2C demo board 2005-1 as master device to drive this demo board.
- CON3 (5-pin male connector) is connected to the PCU9669 or PCA9665 mini board as I<sup>2</sup>C-bus master device to drive this demo board.
- CON4 (14-pin male connector) is connected to J1 on WIN-I2CUSB hardware board as I<sup>2</sup>C-bus master device to drive this demo board.
- J1 selects V<sub>DD</sub> power for PCA9956B, connected 1-2 for V<sub>DD</sub> = 5 V and connected 2-3 for V<sub>DD</sub> = 3.3 V.
- J5, J8 and J9 to select one of the five (GND, Pull-down, Floating, Pull-up and V<sub>DD</sub>) input levels to address inputs AD[0:2] for a maximum of 125 possible programmable I<sup>2</sup>C-bus slave address.
- LED[0:23] 24-channel output to drive eight RGB LEDs (RGB\_LED[1:8]).
- TP2 and TP3 are GND pins for probing use.

- TP1 can be connected as external reset signal to  $\overline{\text{RESET}}$  pin when J7 is open.
- TP4 can be connected as external output enable signal to  $\overline{\text{OE}}$  pin for blinking/dimming control when J10 is open.
- All jumpers default setting and function as shown in [Table 1](#).

**Table 1. Jumper settings for test and evaluation**

| Jumper            | Default setting  | Comment   |
|-------------------|--|---|
| J1<br>(3-pin)     | 1-2<br>( $V_{DD} = +5\text{ V}$ )                            | This jumper is used to select $V_{DD}$ for PCA9956B.<br><b>1-2:</b> select +5 V<br><b>2-3:</b> select +3.3 V  |
| J2<br>(3 × 2-pin) | 1-2<br>( $\text{REXT} = 1\text{ k}\Omega$ , 57.3 mA at max.) | This 3 × 2 jumper is used to select REXT (pin 1) value for PCA9956B.<br><b>1-2:</b> select REXT = 1 k $\Omega$ and maximum output current is 57.3 mA<br><b>3-4:</b> select REXT = 1.5 k $\Omega$ and maximum output current is 38.25 mA<br><b>5-6:</b> select REXT = 2 k $\Omega$ and maximum output current is 28.6 mA |
| J3<br>(2-pin)     | 1-2<br>(short)   | <b>Short:</b> external 1.1 k $\Omega$ pull-up resistor for SDA on PCA9956B.<br><b>Open:</b> no external pull-up resistor for SDA on PCA9956B.   |
| J4<br>(2-pin)     | 1-2<br>(short)   | <b>Short:</b> external 1.1 k $\Omega$ pull-up resistor for SCL on PCA9956B.<br><b>Open:</b> no external pull-up resistor for SCL on PCA9956B.   |
| J5<br>(4 × 2-pin) | 1-2 <sup>[1]</sup><br>( $V_{DD}$ )                           | This 4 × 2 jumper is used to select quinary input value for AD0 (pin 2).<br><b>Open:</b> floating.<br><b>1-2:</b> select $V_{DD}$ .<br><b>3-4:</b> select pull-up with 31.6 k $\Omega$<br><b>5-6:</b> select pull-down with 34.8 k $\Omega$<br><b>7-8:</b> select GND   |
| J6<br>(2-pin)     | 1-2<br>(short)   | <b>Short:</b> connect $V_{DD}$ to pin 38 (power supply) of the PCA9956B.<br><b>Open:</b> connect current meter to measure the $I_{DD}$ on PCA9956B.   |
| J7<br>(2-pin)     | 1-2<br>(open)  | <b>Short:</b> force $\overline{\text{RESET}}$ (pin 35) to GND to reset device.<br><b>Open:</b> 10 k $\Omega$ pull-up the $\overline{\text{RESET}}$ (pin 35) to $V_{DD}$ and the TP1 can be used as external reset input signal.   |
| J8<br>(4 × 2-pin) | 1-2 <sup>[1]</sup><br>( $V_{DD}$ )                           | This 4 × 2 jumper is used to select quinary input value for AD1 (pin 3).<br><b>Open:</b> floating.<br><b>1-2:</b> select $V_{DD}$ .<br><b>3-4:</b> select pull-up with 31.6 k $\Omega$<br><b>5-6:</b> select pull-down with 34.8 k $\Omega$<br><b>7-8:</b> select GND   |
| J9<br>(4 × 2-pin) | 1-2 <sup>[1]</sup><br>( $V_{DD}$ )                           | This 4 × 2 jumper is used to select quinary input value for AD2 (pin 4).<br><b>Open:</b> floating.<br><b>1-2:</b> select $V_{DD}$ .<br><b>3-4:</b> select pull-up with 31.6 k $\Omega$<br><b>5-6:</b> select pull-down with 34.8 k $\Omega$<br><b>7-8:</b> select GND   |
| J10<br>(2-pin)    | 1-2<br>(short)   | <b>Short:</b> force $\overline{\text{OE}}$ (pin 5) to GND, to enable LEDs output.<br><b>Open:</b> 10 k $\Omega$ pull-up $\overline{\text{OE}}$ (pin 5) to $V_{DD}$ when apply external clock for blinking and dimming control on TP4 (test point).  |

**Table 1. Jumper settings for test and evaluation ...continued**

| Jumper                                  | Default setting                                   | Comment   |
|---|---|---|
| J11<br>(2-pin)                          | External supply voltage input to LED0 or all LEDs | External supply voltage ( $\leq +20$ V) input to LED for test only.<br>The external supply voltage ( $\leq +20$ V) connects to LED0 only when J19 is <b>open</b> .<br>The external supply voltage ( $\leq 3.3$ V) connects to all LEDs when the J19 is <b>short</b> and J28 is <b>open</b> .  |
| J21<br>(2-pin)                          | GND input   | External supply voltage ground input to LED.  |
| J12, J13, J14, J15, J16, J17<br>(2-pin) | 1-2 (short)                                       | These jumpers are used to connect or disconnect white LEDs (WHT_LED[1:6]) on LED0 output for test only.<br><b>Open:</b> connected the white LED on LED0 output<br><b>Short:</b> bypass the white LED on LED0 output   |
| J18, J24, J26<br>(2-pin)                | 1-2 (open)  | These jumpers are used to test short-circuit for RGB_LED1.<br>J18 is used to set short error for Red LED (LED0).<br>J24 is used to set short error for Green LED (LED1).<br>J26 is used to set short error for Blue LED (LED2).<br><b>Open:</b> normal operation for the RGB_LED1.<br><b>Short:</b> short one of the RGB_LED1 to test an LED short-error condition in EFLAG register.   |
| J19<br>(2-pin)                          | Short   | This jumper is used to select LED0 supply voltage.<br><b>Open:</b> select external $\leq +20$ V input from J11 (to LED0 only).<br><b>Short:</b> select either internal +3.3 V when J28 is <b>short</b> or external $\leq +20$ V when J28 is <b>open</b> (to all LEDs).  |
| J20, J23, J27<br>(2-pin)                | Short   | These jumpers are used to test open-circuit for RGB_LED1.<br>J20 is used to set open error for Red LED (LED0).<br>J23 is used to set open error for Green LED (LED1).<br>J27 is used to set open error for Blue LED (LED2).<br><b>Open:</b> User can connect current meter to measure one of the LED[0:2] output current or open one of the RGB_LED1 for detecting an LED open-error condition in EFLAG register.<br><b>Short:</b> normal operation for the RGB_LED1. |
| J22, J25<br>(2-pin)                     | Open  | These jumpers are used to merge the LED[0:2] outputs together for driving higher LED current for test only.<br><b>Open:</b> normal operation for the RGB_LED1.<br><b>Short:</b> When short J22/J25 and open J23/J27 to combine LED[0:2] outputs to drive LED0. When short J22 only and open J23 to combine LED[0:1] outputs to drive LED0.  |
| J28<br>(2-pin)                          | Short   | This jumper is used to select LEDs supply voltage.<br><b>Open:</b> select external $\leq +20$ V input from J11 when J19 is <b>short</b> (for all LEDs).<br><b>Short:</b> select internal +3.3 V for LED[1:23] supply voltage when the J19 is <b>open</b> or for all LED[0:23] supply voltage when the J19 is <b>short</b> (J11 is no input).  |



**Table 1. Jumper settings for test and evaluation ...continued**

| Jumper                   | Default setting | Comment   |
|--------------------------|-----------------|---|
| J29, J31, J33<br>(2-pin) | Short           | <p>These jumpers are used to test open-circuit for RGB_LED8.</p> <p>J29 is used to set open error for Red LED (LED21).</p> <p>J31 is used to set open error for Green LED (LED22).</p> <p>J33 is used to set open error for Blue LED (LED23).</p> <p><b>Open:</b> user can connect current meter to measure one of the LED[21:23] output current or open one of the RGB_LED8 for detecting an LED open-error condition in EFLAG register.</p> <p><b>Short:</b> normal operation for the RGB_LED8.</p> |
| J30, J32, J34<br>(2-pin) | Open            | <p>These jumpers are used to test short-circuit for RGB_LED8.</p> <p>J30 is used to set short error for Red LED (LED21).</p> <p>J32 is used to set short error for Green LED (LED22).</p> <p>J34 is used to set short error for Blue LED (LED23).</p> <p><b>Open:</b> normal operation for the RGB_LED8.</p> <p><b>Short:</b> short one of the RGB_LED8 to test an LED short-error condition in EFLAG register.</p>   |
| TP1                      | Test Point 1    | This TP1 is used to drive $\overline{\text{RESET}}$ input pin 35 from external when J7 is <b>open</b> .   |
| TP2, TP3                 | Test Point 2/3  | These two test points are GND for probe ground connection.  |
| TP4                      | Test Point 4    | This TP4 is used to drive $\overline{\text{OE}}$ input pin 5 from external when J10 is <b>open</b> .  |

[1] Default PCA9956B slave address is 0xFAh (AD[2:0] = V<sub>DD</sub>).

6. Schematic

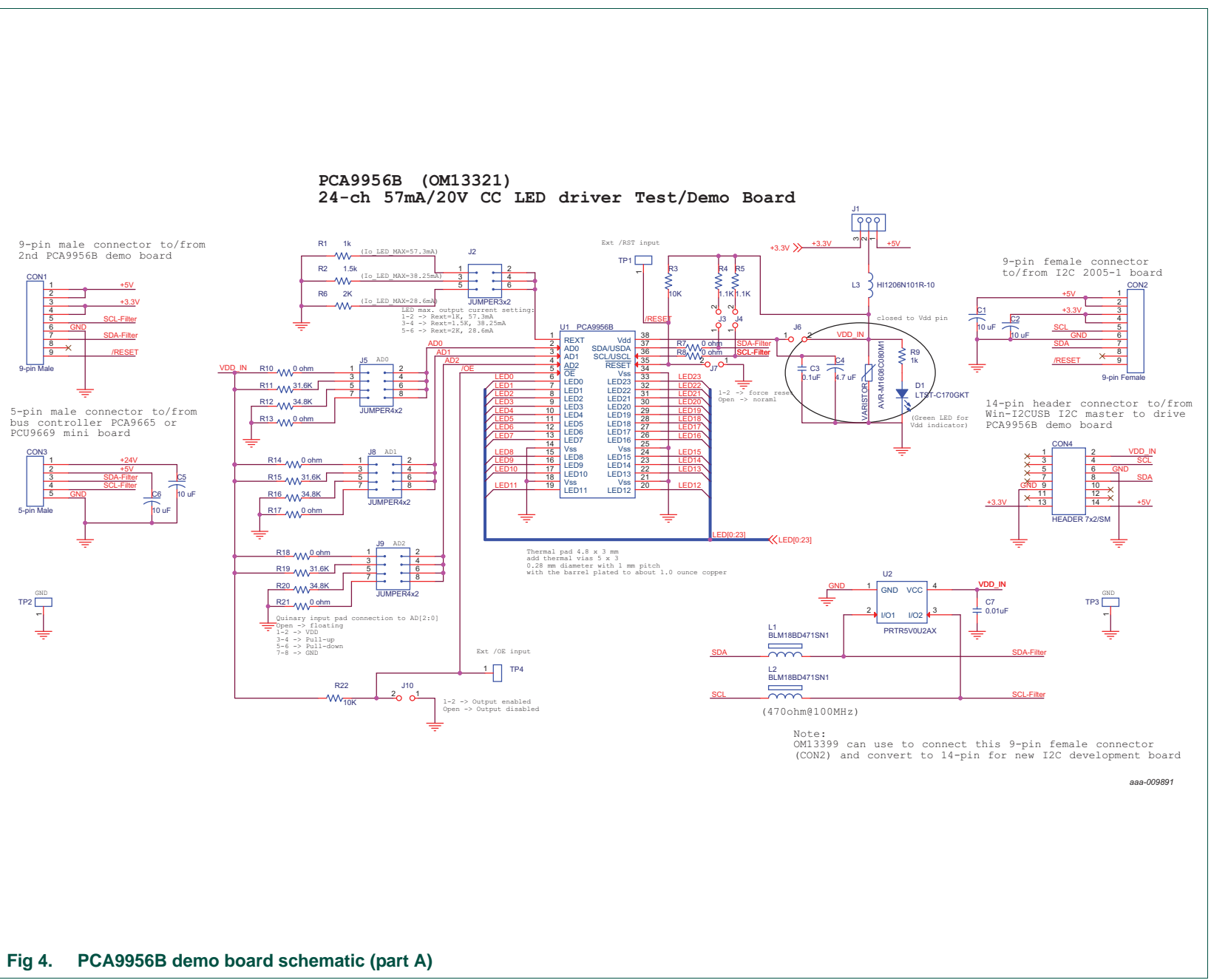


Fig 4. PCA9956B demo board schematic (part A)

aaa-010421

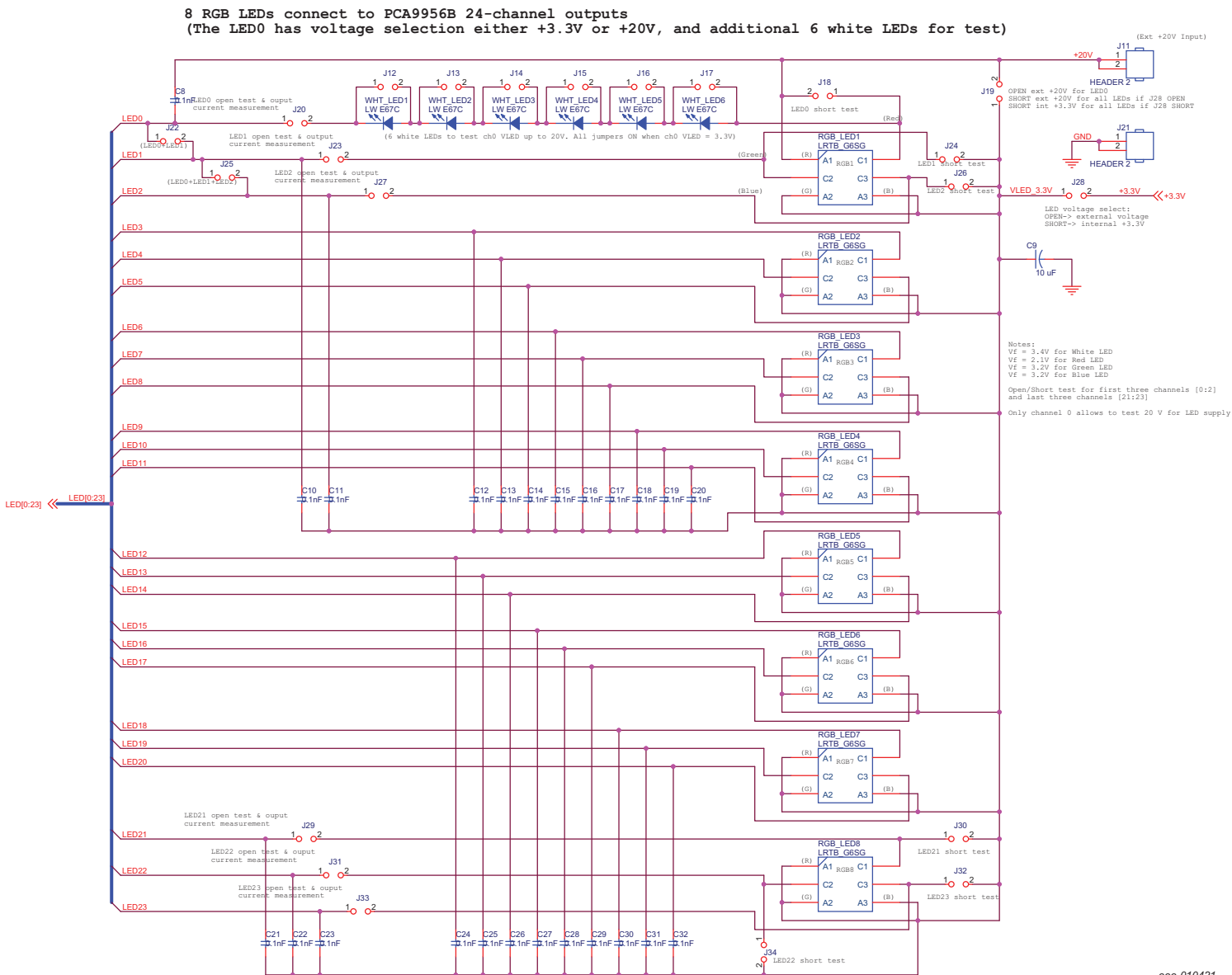


Fig 5. PCA9956B demo board schematic (part B)

## 7. OM13221 demonstration board main components

Table 2. OM13321 demo board main components

| Device       | Description  | Address/LED                           | Location     |
|--------------|--|---------------------------------------|--------------|
| PCA9956BTW   | 24-channel Fm+ I <sup>2</sup> C-bus<br>57 mA / 20 V constant current<br>LED driver | 0xFAh for I <sup>2</sup> C demo board | U1           |
| PRTR5V0U2AX  | ESD protection diode   | -                                     | U2           |
| LW-E67C      | White LED  | 6 white LEDs                          | WHT_LED[1:6] |
| LRTB_G6SG    | RGB LED  | 8 RGB LEDs                            | RGB_LED[1:8] |
| LTST-C170GKT | Green LED for PCA9956B<br>power supply either 3.3 V or<br>5 V                      | 1 green LED                           | D1           |

## 8. PCA9956B evaluation steps

The PCA9956B is controlled by WIN-I2CUSB GUI in Expert mode, as shown in [Figure 6](#).

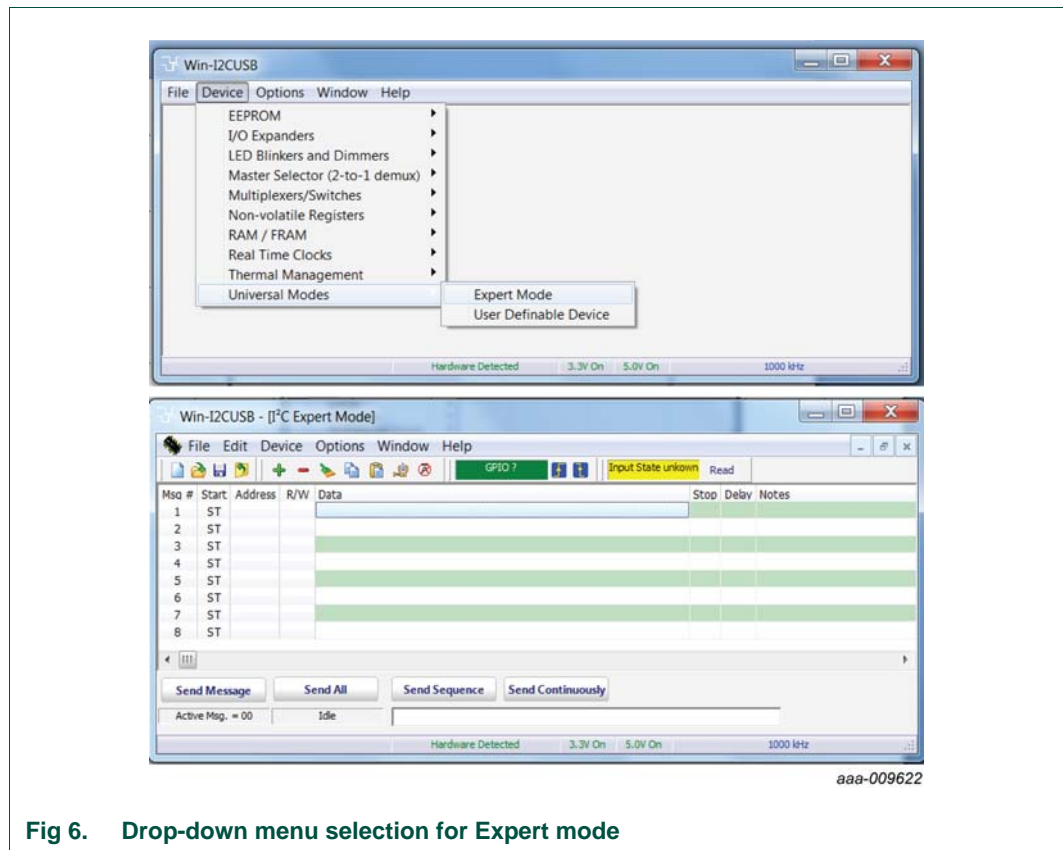


Fig 6. Drop-down menu selection for Expert mode

Connect the hardware as described in [Section 4](#). All jumpers are in default setting and device address is set to 0xFA on J5, J8 and J9 (set AD[0:2] = V<sub>DD</sub>) for PCA9956B demo board. When you have correctly installed the software and the demonstration board hardware is connected and recognized by the computer, start the Win-I2CUSB Lite software. As shown in [Figure 6](#), when the demonstration board hardware is correctly

connected to the USB port and the computer recognizes it, the message 'Hardware Detected' is displayed on the bottom of the window.

Switched 3.3 V and 5.0 V power supplies are controlled through the 'Options' menu or by double-clicking on the 3.3 V or 5.0 V symbols on the bottom of the window. Power supplies are disabled by default and you must enable them before using the I<sup>2</sup>C-bus devices on the board. I<sup>2</sup>C-bus frequency is controlled through the 'Options' menu or by double-clicking on the frequency symbol on the bottom of the window.

## 8.1 PCA9956B blinking demo for all RGB LEDs

1. From the 'Device' drop-down menus select 'Universal Modes', and from the subsequent drop-down menu select 'Expert Mode' as shown in [Figure 6](#).
2. Copy the 'PCA9956B RGB LED blinking demo i2c address = 0xFAh' text file as shown below. From the 'File' drop-down menus select 'Open', and from the 'open data file' window select the 'PCA9956B RGB LED blinking demo i2c address = 0xFAh' text file.

### Expert Mode Data File

```
00,Write,Yes,5,06,Comments: SW reset (00h + 06h) and wait 5 ms
FA,Write,Yes,0,40,3F,Comments: write IREFALL = 0x3Fh = 225ua x 63 = 14 ma per
channel if Rext = 1k
FA,Write,Yes,800,82,41,10,04,41,10,04,Comments: set LDRx=01 in LEDOUT register for
all red LEDs on for 800 ms
FA,Write,Yes,800,82,04,41,10,04,41,10,Comments: set LDRx=01 in LEDOUT register for
all green LEDs on for 800 ms
FA,Write,Yes,800,82,10,04,41,10,04,41,Comments: set LDRx=01 in LEDOUT register for
all blue LEDs on for 800 ms
FA,Write,Yes,0,81,25,FF,FF,FF,FF,FF,FF,Comments: Set DMBLNK=1 in MODE2 register
for blinking and LDRx=11 for group blinking controlled by GRPPWM, GRPFREQ
FA,Write,Yes,0,3F,C0,Comments: write PWMALL = 0xC0h to set the PWMALL at 75% duty
cycles for all LEDs
FA,Write,Yes,2000,88,40,00,Comments: write GRPPWM=0x40h for duty cycle (ON/OFF
ratio in 25%) and GRPFREQ= 0x00h (66ms for blinking period) wait for 2 s
FA,Write,Yes,2000,88,80,03,Comments: write GRPPWM=0x80h for duty cycle (ON/OFF
ratio in 50%) and GRPFREQ= 0x03h (0.26 s for blinking period) wait for 2 s
FA,Write,Yes,2000,88,C0,06,Comments: write GRPPWM=0xC0h for duty cycle (ON/OFF
ratio in 75%) and GRPFREQ= 0x06h (0.46 s for blinking period) wait for 2 s
FA,Write,Yes,3000,88,F0,09,Comments: write GRPPWM= 0xF0h for duty cycle (ON/OFF
ratio in 94%) and GRPFREQ=0x09h (0.65 s for blinking period) wait for 3 s
FA,Write,Yes,0,81,Comments: set control register start 01h to read MODE2 register
FA,Read,Yes,0,25,Comments: read MODE2 register, check the OVERTEMP (bit7=0) and
ERROR (bit6=0)
FA,Write,Yes,0,40,00,Comments: write IREFALL = 00h to turn off all LEDs
Sequence:01,02,03,04,05,06,06,07,08,09,10,11,12,13,14
```

3. After opening the 'PCA9956B RGB LED blinking demo i2c address = 0xFAh' text file, the WIN-I2CUSB GUI in Expert mode screen will be displayed as shown in [Figure 7](#).
4. Click the 'Send All' button. All the valid messages on the screen will be sent in order of the row number. The action will be performed one time.

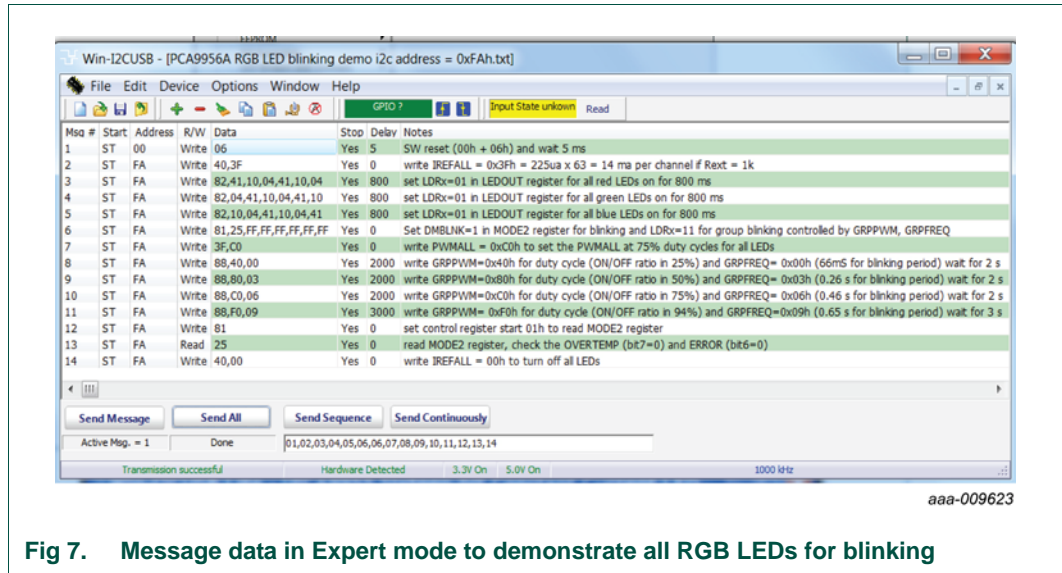


Fig 7. Message data in Expert mode to demonstrate all RGB LEDs for blinking

## 8.2 Test of LED open or short error detection

The PCA9956B is capable of detecting an LED open or short condition at its open-drain LED outputs. Users will recognize these faults by reading the status of a pair of error bits (ERRx) in error flag registers (EFLAGn) for each channel.

The user can poll the ERROR status bit (bit 6 in MODE2 register) to check if there is a fault condition in any of the 24 channels. The EFLAGn registers can then be read to determine which channels are at fault and the type of fault in those channels.

1. Copy the 'PCA9956B Open or Short test' text file as shown below. From the 'File' drop-down menus select 'Open', and from the 'open data file' window select the 'PCA9956B Open or Short test' text file.

```
Expert Mode Data File
00,Write,Yes,5,06,Comments: software reset
FA,Write,Yes,0,A2,80,80,Comments: set current to 50% of max in IREF0/IREF1
FA,Write,Yes,0,02,05,Comments: set LED0 and LED1 are fully ON
FA,Write,Yes,1,01,15,Comments: Clear all error status bits in EFLAGn registers by
writing bit4=1 in MODE2
FA,Read,Yes,0,05,Comments: read ERROR status (bit6) in MODE2
FA,Write,Yes,0,41,Comments: set EFLAG0 register address
FA,Read,Yes,0,00,Comments: Read EFLAG0 status (bit1/0 for LED 0 and bit 3/2 for
LED1 error status)
FA,Write,Yes,1,01,15,Comments: Clear all error status bits in EFLAGn registers by
writing bit4=1 in MODE2
FA,Write,Yes,0,A2,00,00,Comments: set output current to zero in IREF0/IREF1
Sequence:01,02,03,04,05,06,07,08,09
```

2. After opening the 'PCA9956B Open or Short test' text file, the WIN-I2CUSB GUI in Expert mode screen will be displayed as shown in [Figure 8](#).
3. Click the 'Send All' button. All the valid messages on the screen will be sent in order of the row number. The action will be performed one time.

4. To verify the read data on message line 5 for ERROR status and line 7 for EFLAG status.
5. To open the J20 and J23 for open-circuit test on LED0 and LED1, repeat steps 3 and 4 to find the error report in message line 5 and line 7.
6. To short the J18 and J24 for short-circuit test on LED0 and LED1, repeat steps 3 and 4 to find the error report in message line 5 and line 7.

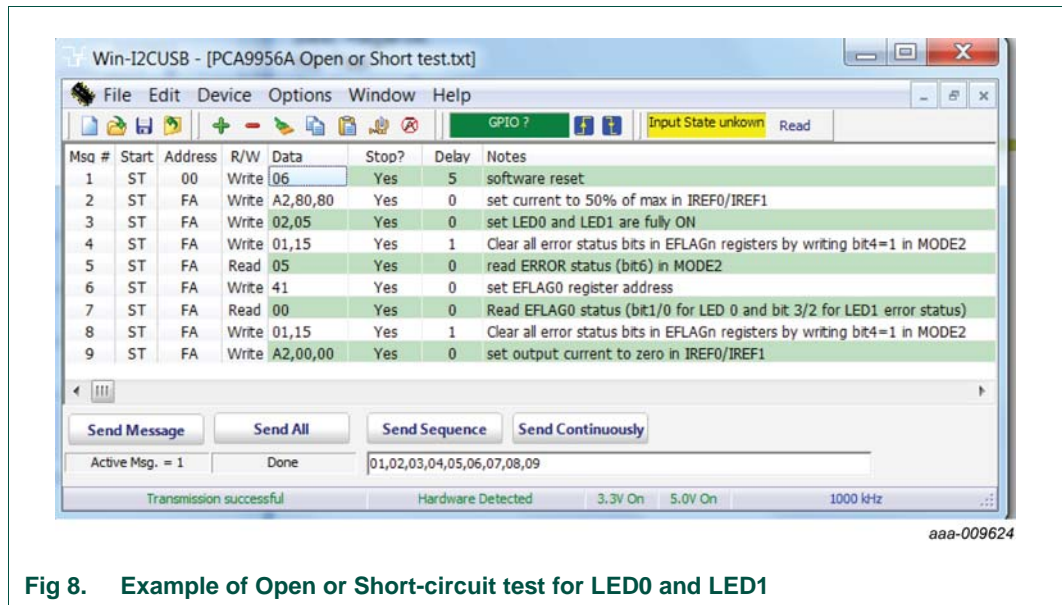


Fig 8. Example of Open or Short-circuit test for LED0 and LED1

## 9. Support

For support, please send an e-mail to: [i2c.support@nxp.com](mailto:i2c.support@nxp.com)

## 10. Abbreviations

Table 3. Abbreviations

| Acronym              | Description                  |
|----------------------|------------------------------|
| ESD                  | ElectroStatic Discharge      |
| Fm+                  | Fast-mode Plus               |
| GUI                  | Graphical User Interface     |
| I <sup>2</sup> C-bus | Inter-Integrated Circuit bus |
| IC                   | Integrated Circuit           |
| LED                  | Light Emitting Diode         |
| PC                   | Personal Computer            |
| PWM                  | Pulse Width Modulator        |
| RAM                  | Random Access Memory         |
| RGB                  | Red/Green/Blue               |
| SMBus                | System Management Bus        |
| USB                  | Universal Serial Bus         |

## 11. References

---

- [1] **PCA9956B, 24-channel Fm+ I<sup>2</sup>C-bus 57 mA / 20 V constant current LED driver** — Product data sheet; NXP Semiconductors
- [2] **UM10206, I2C Demonstration Board 2005-1 Quick Start Guide** — NXP Semiconductors; [www.nxp.com/documents/user\\_manual/UM10206.pdf](http://www.nxp.com/documents/user_manual/UM10206.pdf)



## 12. Legal information

### 12.1 Definitions

**Draft** — The document is a draft version only. The content is still under internal review and subject to formal approval, which may result in modifications or additions. NXP Semiconductors does not give any representations or warranties as to the accuracy or completeness of information included herein and shall have no liability for the consequences of use of such information.

### 12.2 Disclaimers

**Limited warranty and liability** — Information in this document is believed to be accurate and reliable. However, NXP Semiconductors does not give any representations or warranties, expressed or implied, as to the accuracy or completeness of any products or rework charges) whether or not such consequences of use of such information.

In no event shall NXP Semiconductors be liable for any indirect, incidental, punitive, special or consequential damages (including - without limitation - lost profits, lost savings, business interruption, costs related to the removal or replacement of any products or rework charges) whether or not such damages are based on tort (including negligence), warranty, breach of contract or any other legal theory.

Notwithstanding any damages that customer might incur for any reason whatsoever, NXP Semiconductors' aggregate and cumulative liability towards customer for the products described herein shall be limited in accordance with the *Terms and conditions of commercial sale* of NXP Semiconductors.

**Right to make changes** — NXP Semiconductors reserves the right to make changes to information published in this document, including without limitation specifications and product descriptions, at any time and without notice. This document supersedes and replaces all information supplied prior to the publication hereof.

**Suitability for use** — NXP Semiconductors products are not designed, authorized or warranted to be suitable for use in life support, life-critical or safety-critical systems or equipment, nor in applications where failure or malfunction of an NXP Semiconductors product can reasonably be expected to result in personal injury, death or severe property or environmental damage. NXP Semiconductors accepts no liability for inclusion and/or use of NXP Semiconductors products in such equipment or applications and therefore such inclusion and/or use is at the customer's own risk.

**Applications** — Applications that are described herein for any of these products are for illustrative purposes only. NXP Semiconductors makes no representation or warranty that such applications will be suitable for the specified use without further testing or modification.

Customers are responsible for the design and operation of their applications and products using NXP Semiconductors products, and NXP Semiconductors accepts no liability for any assistance with applications or customer product design. It is customer's sole responsibility to determine whether the NXP Semiconductors product is suitable and fit for the customer's applications and products planned, as well as for the planned application and use of customer's third party customer(s). Customers should provide appropriate design and operating safeguards to minimize the risks associated with their applications and products.

NXP Semiconductors does not accept any liability related to any default, damage, costs or problem which is based on any weakness or default in the customer's applications or products, or the application or use by customer's third party customer(s). Customer is responsible for doing all necessary

testing for the customer's applications and products using NXP Semiconductors products in order to avoid a default of the applications and the products or of the application or use by customer's third party customer(s). NXP does not accept any liability in this respect.

**Export control** — This document as well as the item(s) described herein may be subject to export control regulations. Export might require a prior authorization from competent authorities.

**Non-automotive qualified products** — Unless this data sheet expressly states that this specific NXP Semiconductors product is automotive qualified, the product is not suitable for automotive use. It is neither qualified nor tested in accordance with automotive testing or application requirements. NXP Semiconductors accepts no liability for inclusion and/or use of non-automotive qualified products in automotive equipment or applications.

In the event that customer uses the product for design-in and use in automotive applications to automotive specifications and standards, customer (a) shall use the product without NXP Semiconductors' warranty of the product for such automotive applications, use and specifications, and (b) whenever customer uses the product for automotive applications beyond NXP Semiconductors' specifications such use shall be solely at customer's own risk, and (c) customer fully indemnifies NXP Semiconductors for any liability, damages or failed product claims resulting from customer design and use of the product for automotive applications beyond NXP Semiconductors' standard warranty and NXP Semiconductors' product specifications.

**Evaluation products** — This product is provided on an "as is" and "with all faults" basis for evaluation purposes only. NXP Semiconductors, its affiliates and their suppliers expressly disclaim all warranties, whether express, implied or statutory, including but not limited to the implied warranties of non-infringement, merchantability and fitness for a particular purpose. The entire risk as to the quality, or arising out of the use or performance, of this product remains with customer.

In no event shall NXP Semiconductors, its affiliates or their suppliers be liable to customer for any special, indirect, consequential, punitive or incidental damages (including without limitation damages for loss of business, business interruption, loss of use, loss of data or information, and the like) arising out of the use of or inability to use the product, whether or not based on tort (including negligence), strict liability, breach of contract, breach of warranty or any other theory, even if advised of the possibility of such damages.

Notwithstanding any damages that customer might incur for any reason whatsoever (including without limitation, all damages referenced above and all direct or general damages), the entire liability of NXP Semiconductors, its affiliates and their suppliers and customer's exclusive remedy for all of the foregoing shall be limited to actual damages incurred by customer based on reasonable reliance up to the greater of the amount actually paid by customer for the product or five dollars (US\$5.00). The foregoing limitations, exclusions and disclaimers shall apply to the maximum extent permitted by applicable law, even if any remedy fails of its essential purpose.

**Translations** — A non-English (translated) version of a document is for reference only. The English version shall prevail in case of any discrepancy between the translated and English versions.

### 12.3 Trademarks

Notice: All referenced brands, product names, service names and trademarks are the property of their respective owners.

**PC-bus** — logo is a trademark of NXP B.V.

## 13. Contents

---

|           |   |           |
|-----------|---|-----------|
| <b>1</b>  | <b>Introduction</b> .....                                     | <b>3</b>  |
| <b>2</b>  | <b>Features</b> .....   | <b>3</b>  |
| <b>3</b>  | <b>Getting started</b> .....                                  | <b>3</b>  |
| 3.1       | Assumptions .....   | 3         |
| 3.2       | Static handling requirements .....                            | 3         |
| 3.3       | Minimum system requirements .....                             | 3         |
| 3.4       | Power requirements .....                                      | 3         |
| <b>4</b>  | <b>Installation</b> .....                                     | <b>4</b>  |
| 4.1       | I2C demo board 2005-1 and WIN-I2CUSB Lite software .....      | 4         |
| 4.2       | OM13321 connection to I2C demo board 2005-1 .....             | 4         |
| 4.3       | OM13321 connection to WIN-I2CUSB hardware adapter board ..... | 5         |
| <b>5</b>  | <b>Hardware description</b> .....                             | <b>6</b>  |
| <b>6</b>  | <b>Schematic</b> .....  | <b>10</b> |
| <b>7</b>  | <b>OM13221 demonstration board main components</b> .....      | <b>12</b> |
| <b>8</b>  | <b>PCA9956B evaluation steps</b> .....                        | <b>12</b> |
| 8.1       | PCA9956B blinking demo for all RGB LEDs .                     | 13        |
| 8.2       | Test of LED open or short error detection. . . .              | 14        |
| <b>9</b>  | <b>Support</b> .....  | <b>15</b> |
| <b>10</b> | <b>Abbreviations</b> .....                                    | <b>15</b> |
| <b>11</b> | <b>References</b> .....                                       | <b>16</b> |
| <b>12</b> | <b>Legal information</b> .....                                | <b>17</b> |
| 12.1      | Definitions .....   | 17        |
| 12.2      | Disclaimers .....   | 17        |
| 12.3      | Trademarks .....  | 17        |
| <b>13</b> | <b>Contents</b> .....   | <b>18</b> |

---

Please be aware that important notices concerning this document and the product(s) described herein, have been included in section 'Legal information'.

© NXP B.V. 2017.

All rights reserved.

For more information, please visit: <http://www.nxp.com>

For sales office addresses, please send an email to: [salesaddresses@nxp.com](mailto:salesaddresses@nxp.com)

Date of release: 11 August 2017

Document identifier: UM10709