

KIT eXtreme Switch Evaluation Board

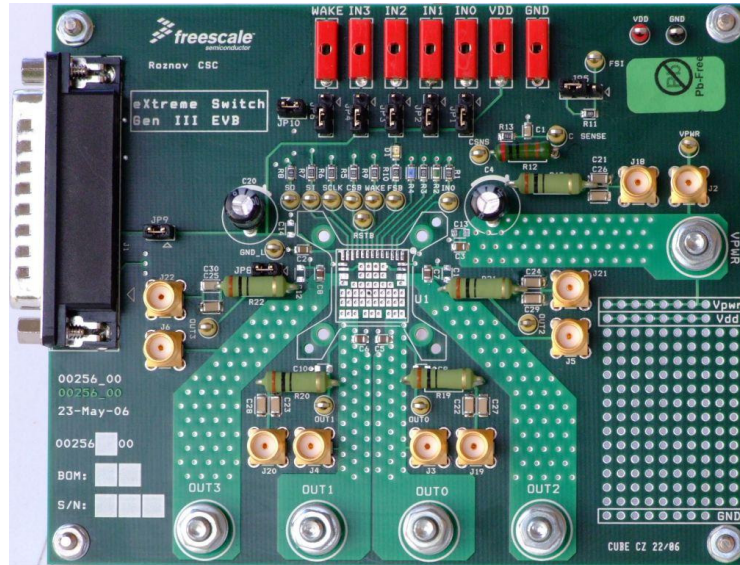


Figure 1. Extreme Switch Evaluation Board (EVB)

Table of Contents

1	Kit Contents / Packing List	2
2	Important Notice	3
3	Introduction	4
4	Required Equipment	5
5	Evaluation Board Configuration	5
6	Installing SPIGen Freeware on your Computer	7
7	Setup and Using the Hardware	8
8	Hardware Description	9
9	Schematic	10
10	Board Layout	11
11	Bill of Material	15
12	References	16
13	Revision History	17

1 Kit Contents / Packing List

- Assembled and tested evaluation board/module in anti-static bag.
- CD-ROM containing:
 - Supporting documentation for featured device (including data sheet and user's guide)
 - SPIGen software
- Warranty card

2 Important Notice

Freescale provides the enclosed product(s) under the following conditions:

This evaluation kit is intended for use of ENGINEERING DEVELOPMENT OR EVALUATION PURPOSES ONLY. It is provided as a sample IC pre-soldered to a printed circuit board to make it easier to access inputs, outputs, and supply terminals. This EVB may be used with any development system or other source of I/O signals by simply connecting it to the host MCU or computer board via off-the-shelf cables. This EVB is not a Reference Design and is not intended to represent a final design recommendation for any particular application. Final device in an application will be heavily dependent on proper printed circuit board layout and heat sinking design as well as attention to supply filtering, transient suppression, and I/O signal quality.

The goods provided may not be complete in terms of required design, marketing, and or manufacturing related protective considerations, including product safety measures typically found in the end product incorporating the goods. Due to the open construction of the product, it is the user's responsibility to take any and all appropriate precautions with regard to electrostatic discharge. In order to minimize risks associated with the customers applications, adequate design and operating safeguards must be provided by the customer to minimize inherent or procedural hazards. For any safety concerns, contact Freescale sales and technical support services.

Should this evaluation kit not meet the specifications indicated in the kit, it may be returned within 30 days from the date of delivery and will be replaced by a new kit.

Freescale reserves the right to make changes without further notice to any products herein. Freescale makes no warranty, representation or guarantee regarding the suitability of its products for any particular purpose, nor does Freescale assume any liability arising out of the application or use of any product or circuit, and specifically disclaims any and all liability, including without limitation consequential or incidental damages. "Typical" parameters can and do vary in different applications and actual performance may vary over time. All operating parameters, including "Typical", must be validated for each customer application by customer's technical experts.

Freescale does not convey any license under its patent rights nor the rights of others. Freescale products are not designed, intended, or authorized for use as components in systems intended for surgical implant into the body, or other applications intended to support or sustain life, or for any other application in which the failure of the Freescale product could create a situation where personal injury or death may occur.

Should Buyer purchase or use Freescale products for any such unintended or unauthorized application, Buyer shall indemnify and hold Freescale and its officers, employees, subsidiaries, affiliates, and distributors harmless against all claims, costs, damages, and expenses, and reasonable attorney fees arising out of, directly or indirectly, any claim of personal injury or death associated with such unintended or unauthorized use, even if such claim alleges that Freescale was negligent regarding the design or manufacture of the part. Freescale™ and the Freescale logo are trademarks of Freescale Semiconductor, Inc. All other product or service names are the property of their respective owners.

© Freescale Semiconductor, Inc. 2013

3 Introduction

3.1 Evaluation Board Features

This family of devices is designed for low-voltage automotive lighting applications. Its four low RDS(ON) MOSFETs can control:

- Four separate 55W / 28W bulbs
- Four separate Xenon modules
- Four separate LEDs
- Four separate Other type of loads

In addition, this family of devices has the following features:

- Programming, control, and diagnostics are accomplished using a 16-bit SPI interface.
- Its output with selectable slew-rate allows to satisfy electromagnetic compatibility (EMC) requirements.
- Each output can be controlled with an internal PWM modulated clock signal, instead of an external clock.

3.2 Device Features

- Four protected high-side switches
- Operating voltage range of 6.0V to 20V with sleep current < 5.0µA, extended mode from 4.0V to 28V
- 8 MHz 16-bit 3.3V and 5V SPI control and status reporting with daisy chain capability
- PWM module using external clock or calibratable internal oscillator with programmable outputs delay management
- Smart over-current shutdown, severe short-circuit, over-temperature protections with time limited auto-retry, and fail-safe mode in case of MCU damage
- Output OFF or ON open-load detection compliant to bulbs or LEDs and short-to-battery detection. Analog current feedback with selectable ratio and board temperature feedback.

3.3 KITUSBSPIEVME USB-to-Parallel Converter Board

The KITUSBSPIEVME board converts from USB to SPI and from USB to parallel data transmission. The main function provided by this board is to allow a PC that may not have a parallel port to communicate with other Freescale Evaluation Boards via a USB port.

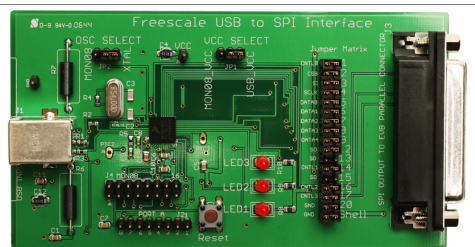


Figure 2. KITUSBSPIEVME Converter Board

4 Required Equipment

Minimum required equipment:

- Power DC supply 40A/20V
- 5.0 V power supply, 1.0 A current capability
- Computer with an available USB port, running Windows XP or higher
- KITUSBSPIEVME board for converting from USB to SPI
- SPIGen software, which is available from the Freescale SPIGen website (also from the evaluation kit's CD-ROM)
- Ty

5 Evaluation Board Configuration

The typical evaluation board (EVB) shown below utilizes the KITUSBSPIEVME as an alternate communication interface to a PC, instead of a 25 pin parallel I/O connector/cable. These EVBs have been designed to use SPIGen software in order to communicate and control the device functions on the evaluation board. The figure below illustrates a typical EVB and how you would configure it to work with a KITUSBSPIEVME interface board, for a USB connection to a PC.

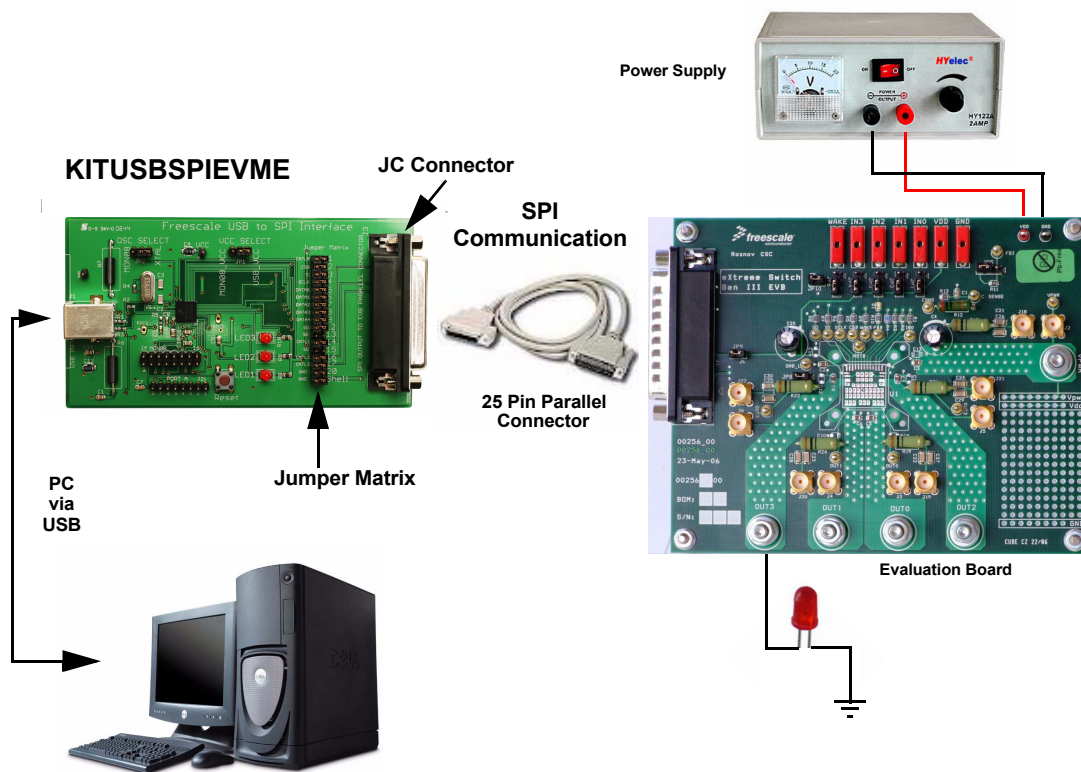


Figure 3. Evaluation Board Setup

Verify that the SI signal (Slave Input of the Serial Peripheral Input bus) on the EVB connects to the 25-pin parallel connector on pin 3. If instead it is on pin 6, then the jumper matrix (Figure 4) of the KITUSBSPIEVM will have to be configured in the following way:

1. Remove the jumper between pins SI and 3.
2. Remove the jumper between pins Data1 and 6.
3. Connect a jumper between pin SI and pin 6

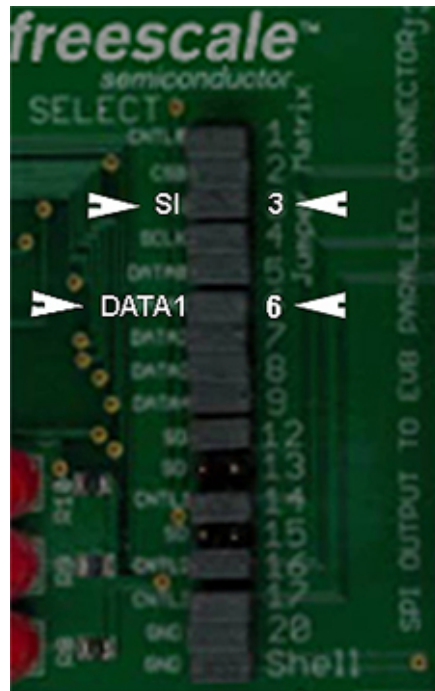


Figure 4. KITUSBSPIEVM Converter Board Jumper Matrix

6 Installing SPIGen Freeware on your Computer

The latest version of SPIGen can be downloaded from the SPIGen web page at www.freescale.com (see the [References](#) section) and is designed to run on any Windows 7, Vista or XP-based operating system. SPIGen is also included on the CD-ROM supplied with the board, though this version may not be as up-to-date as that available from the SPIGen web page.

Before you install the program, refer to the SPIGen README.txt file to check the compatibility of the installation program and your computer operating system. For each operating system, README.txt describes where the software should be installed.

For computers running Windows 7, Vista, or Windows XP, download the SPIGen 7 install program from the SPIGen website. When the download is complete, run the install program. Several temporary files will be copied to your computer, and then the Installation Wizard will guide you through the rest of the process.

To install the software from the CD-ROM, insert the CD-ROM into your CD drive.

To use SPIGen, go to the Windows Start menu, then Programs, then SPIGen, and click on the SPIGen icon. The SPIGen Graphic User Interface (GUI) will appear. Go to the File menu in the upper left hand corner of the GUI, and select Open. In the file selection window that appears, set the “Files of type:” drop-down menu to “All Files (*.*)”. Next, browse the CD-ROM from the evaluation board kit and select the file called “SPIGen Config File.txt”. Click Open, and SPIGen will open a specifically configured SPI command generator for your EVB.

The GUI is shown in [Figure 5](#). The text at the top is the name of the configuration file loaded. (As an exceptional case, the file name has a .txt extension for the boards covered by this user’s guide. In other cases, the standard .spi extension will be evident.) The left side panel displays folders that group user interfaces. The boards associated with this guide will all make use of the Generic user interfaces. (The other pre-installed folders contain interfaces for boards unrelated to this document.) The process of loading the configuration files has assigned a list of “Extra Pins” as well as a list “Quick Commands”, all of which are specific to the board in use.

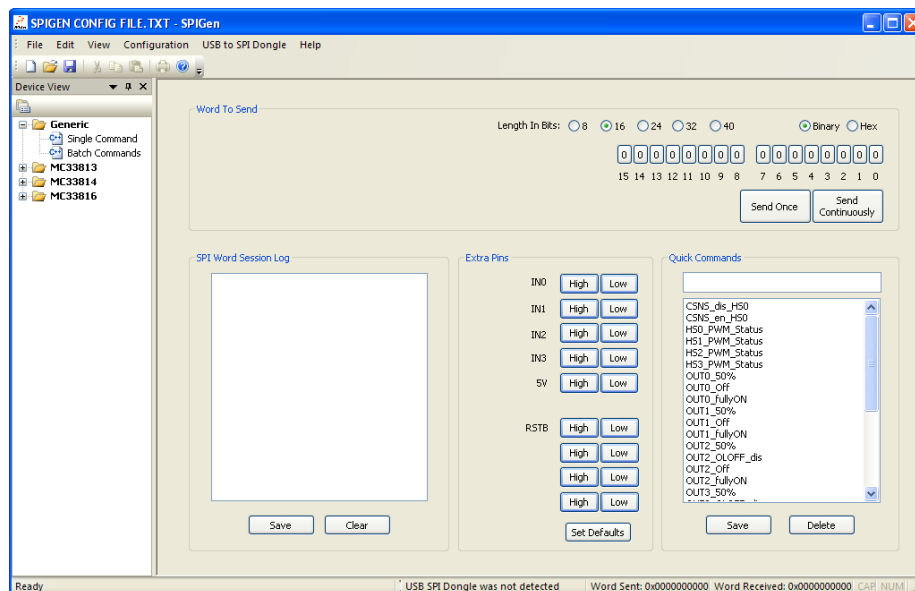


Figure 5. SPIGen GUI

7 Setup and Using the Hardware

Warning: Always wear safety glasses when working around electronic modules and when soldering.

Please remove the capacitor C4 when testing reverse supply on Vpwr.

1. The EVB allows the customer to quickly evaluate features of the device with a simple bench top setup. All switch inputs may be evaluated using the onboard switch banks or actual system switches connected to the switch input edge connector.
2. Using a standard 25 pin Sub-D parallel port cable and the enclosed SPIGen SPI software, you can use a personal computer to provide the Serial Peripheral Interface (SPI) communication with this EVB (see SETUP_EVB).
3. Connect power supply to the VPWR and GND terminals on the EVB. Make sure the voltages provided are in accordance with the device data sheet and that the supply currents are sufficient to supply the switch contact wetting current. A voltage of +5V is needed for SPI communication. This voltage can be provided from PC via parallel cable (JP9 must be inserted) or through an external power supply via connector VDD. Without +5V the device will be in fail-safe mode.
4. Connect desired external load between one of the output (OUT0 - OUT3) and power supply ground.
5. For direct control of the outputs apply +5V on connectors IN0 - IN3. Corresponding HS output turns-on. Each IN input wakes the device.
6. For preparing the evaluation board for SPIGen, place jumpers JP9, JP10 to 1-2 position.
7. For instructions on installing the SPIGen software and loading the configuration file, see "[Installing SPIGen Freeware on your Computer](#)". The configuration file will set all parameters for SPI signals from the PC and provide a list of commands that may be sent to the EVB.
8. To set up the device to read switch inputs the user may use the batch commands from the Batch Commands view. To send a batch of commands to the EVB, select the batch command from the "Batch Name" drop-down box and click the Send Once button. To quickly evaluate the EVB and device, simply click on the Single Command view, select the switch status command from the Quick Commands list and click the Send Continuous button. The opening and closing of switches may now be seen on the Word Received bits window field. Refer to the device data sheet for detailed information on I/O communication and device operation.

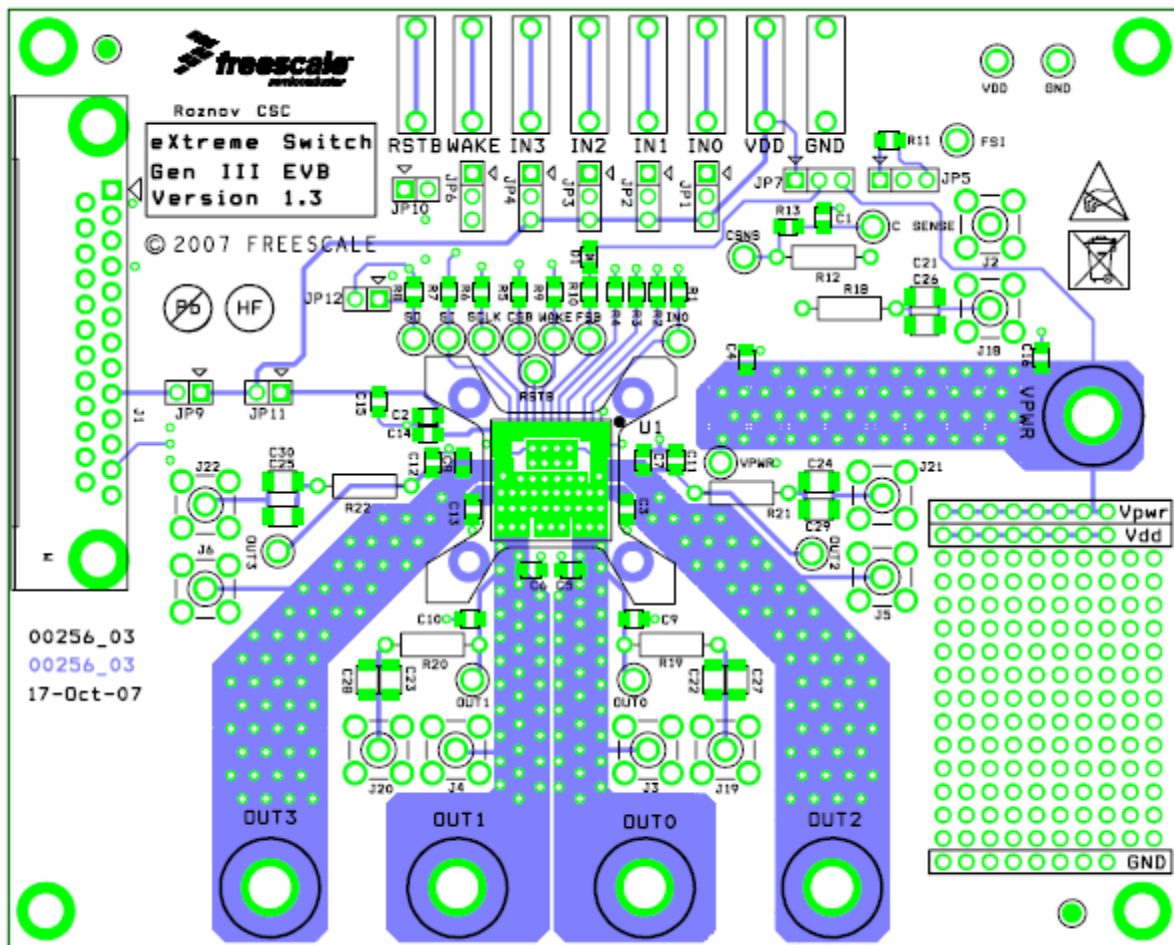
8 Hardware Description

Table 1: Jumper Connections

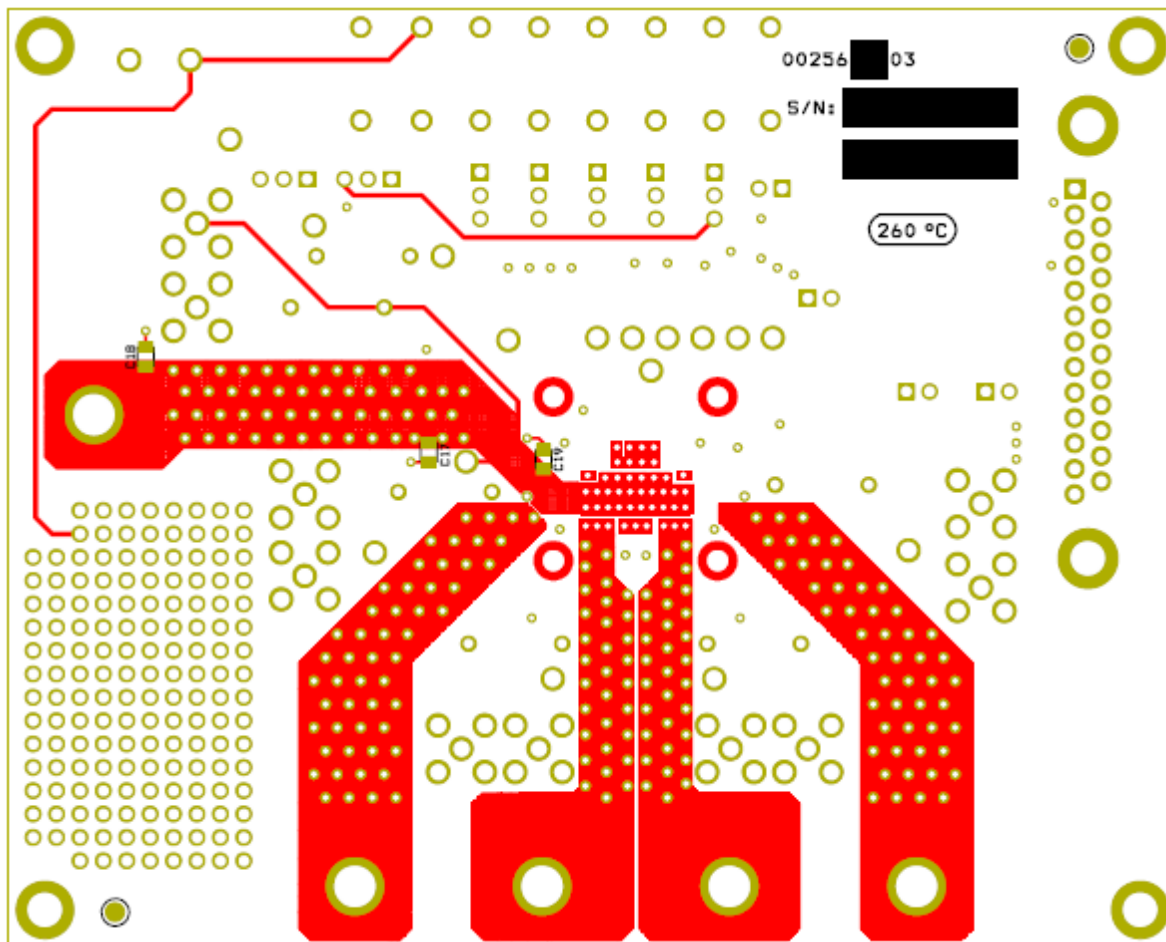
Name	Description
JP1 JP2 JP3 JP4	Allows independent control of each high-side switch output 1-2 selection: outputs are controlled via SPIGen or connectors J7 - J10 2-3 selection: direct control of the output, appropriate output is ON
JP5	FSI selection 1-2: FSI terminal connected through 6k8 Ohm resistor to ground 2-3: FSI terminal connected to ground
JP6	Allows wake up function of IC. 1-2 selection will give external control through connector J12. 2-3 selection is to wake up from battery voltage, i.e. in the case of ignition.
JP7	Selection of supplying of FSB LED 1-2: FSB LED D1 connected to VDD (5V) 2-3: FSB LED D1 connected to Vpwr (12V)
JP9	Source of VDD (+5V) 1-2: +5V is provided by PC via parallel cable Floating: +5V must be connected to J11, otherwise the device is in fail-safe mode (the output states depend on R11 value).
JP10	Connection of RSTB input 1-2 position: control through SPIGen Floating: RSTB is ground. This means that the IC is in sleep mode.
JP11	Connection of VDD to the device 1-2 position: VDD connected to the device Floating: Device without VDD
JP12	R8 bypassing 1-2 position: R8 is bypassed with 0Ohms. For higher speed of SPI (MCU control of the device only) Floating: Low speed SPI operation with SPIGen software
TEST POINTS	Several test points are presented on the evaluation board to check some signals using oscilloscope if necessary.

10 Board Layout

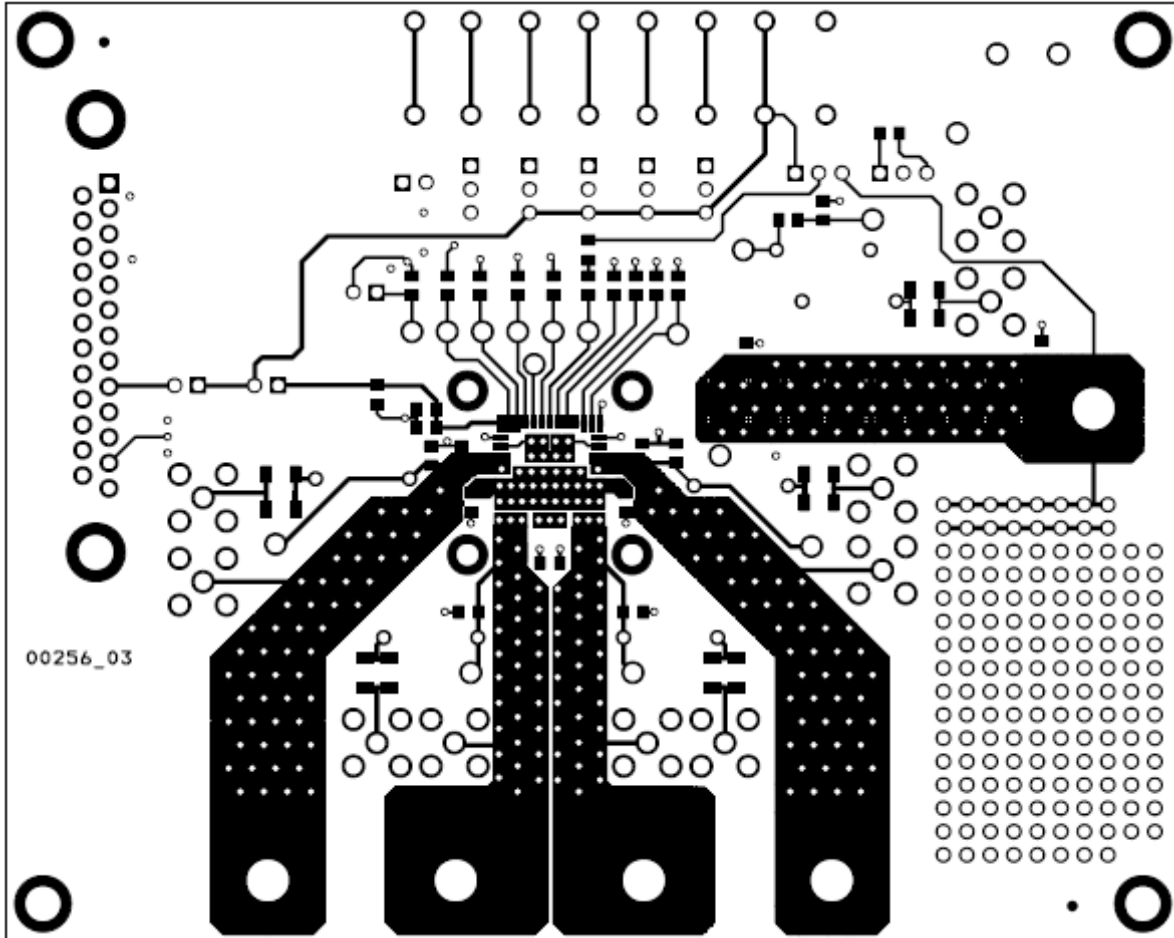
10.1 Top Assembly Layer



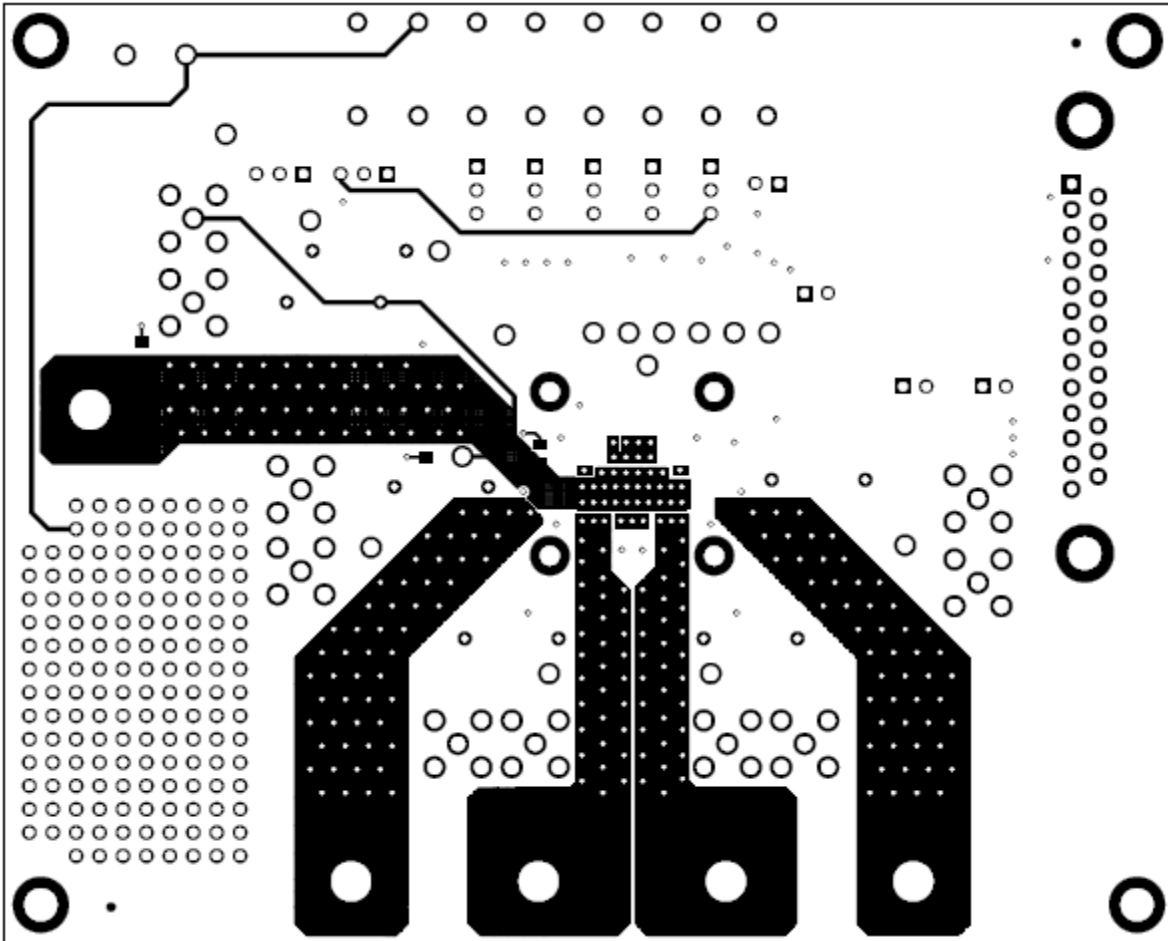
10.2 Bottom Assembly Layer



10.3 PCB Top Layer



10.4 PCB Bottom Layer



11 Bill of Material

Item	Qty	Part No.	Ref.	Package	Description	Populated	Rohs	Manufacturer
1	1	SPQ15	U1	PQFN	Quad High-Side Switch	Yes	Yes	Freescale
2	1		C1	SMD 0805	10nF 50V Ceramic Capacitor	Yes	Yes	AVX
3	5		C26,C27,C28,C29,C30	SMD 1206	10nF 50V Ceramic Capacitor	No	Yes	AVX
4	4		C2,C3, C13,C15	SMD 0805	100nF 50V Ceramic Capacitor	Yes	Yes	AVX
5	2		C4,C20	Thru - hole 5mm	10uF 63V Electrolytic Capacitor	No	Yes	Jamicon
6	4		C5,C6,C7,C8	SMD 0805	22nF 50V Ceramic Capacitor	Yes	Yes	AVX
7	9		C9,C10,C11,C12,C14, C16, C17,C18,C19	SMD 0805	Ceramic Capacitor (for EMC tuning)	No		
8	5		C21,C22,C23,C24,C25	SMD 1206	1nF 50V Ceramic Capacitor	No	Yes	AVX
9	1		D1	SMD 0805	red LED diode	Yes	Yes	Lumex
10	7		JP1,JP2,JP3,JP4,JP5,JP6, JP7		Header 3x1	Yes	Yes	Samtec
11	4		JP9,JP10,JP11,JP12		Header 2x1	Yes	Yes	Samtec
12	1	ZEDB25PBA	J1		25-pin 90° PCB connector	Yes	Yes	ITT CANNON
13	10	19-46-1-TGG	J2, J3, J4, J5, J6, J18, J19, J20, J21, J22	SMA	SMA Jack	No	Yes	MULTICOMP
14	8	105-0752-001	J7, J8, J9, J10, J11, J12, J23, J24	Horizontal Test jack	YES	Yes	Johnson Components	
15	5		J13, J14, J15, J16, J17		Screw diam. 4mm + 2 nuts + 2 washers each for power connector	Yes	Yes	
16	11		R1, R2, R3, R4, R5, R6, R7, R8, R9, R10, R13	SMD 0805	10k 5% Resistor	Yes	Yes	
17	1		R11	SMD 0805	6.8k 1% Resistor	Yes	Yes	
18	1		R12	Thru - hole 10mm	2.7k 1% Resistor	Yes	Yes	
19	5		R18,R19,R20,R21,R22	Thru - hole 10mm	10R 5% Resistor 1W	No	Yes	
20	18	200-203	OUT1,OUT2, OUT3, WAKE, VPWR, VDD, SO, SI, SCLK, RSTB, OUT0, IN0, GND, FSI, FSB, CSNS, CSB, C Sense	PCB Test Terminal	YES	Yes	William Hughes	

12 References

Following are URLs where you can obtain information on other Freescale products and application solutions:

Document Number	Description	URL
MC10XS3412 MC10XS3435 MC15XS3400 MC35XS3400	Data Sheets	www.freescale.com/files/analog/doc/data_sheet/MC10XS3412.pdf www.freescale.com/files/analog/doc/data_sheet/MC10XS3435.pdf www.freescale.com/files/analog/doc/data_sheet/MC15XS3400.pdf www.freescale.com/files/analog/doc/data_sheet/MC35XS3400.pdf
	KITUSBSPIEVME Tool Summary Page	http://www.freescale.com/webapp/sps/site/prod_summary.jsp?code=KITUSBSPIEVME
	SPIGen Reference Tool Summary Page	http://www.freescale.com/files/soft_dev_tools/software/device_drivers/SPIGen.html?fsrch=1&sr=11
	Analog Home Page	www.freescale.com/analog
	Automotive Home Page	www.freescale.com/automotive

13 Revision History

History

Revision	Date	Description of Changes
1.0	10/2008	<ul style="list-style-type: none"> Initial Release
2.0	8/2009	<ul style="list-style-type: none"> Replaced Schematic drawing with legible version
3.0	2/2013	<ul style="list-style-type: none"> Updated Setup diagram Supplied new SPIGen diagram with improved software installation instructions

How to Reach Us:

Home Page:

freescale.com

Web Support:

freescale.com/support

Information in this document is provided solely to enable system and software implementers to use Freescale products. There are no express or implied copyright licenses granted hereunder to design or fabricate any integrated circuits on the information in this document.

Freescale reserves the right to make changes without further notice to any products herein. Freescale makes no warranty, representation, or guarantee regarding the suitability of its products for any particular purpose, nor does Freescale assume any liability arising out of the application or use of any product or circuit, and specifically disclaims any and all liability, including without limitation consequential or incidental damages. "Typical" parameters that may be provided in Freescale data sheets and/or specifications can and do vary in different applications, and actual performance may vary over time. All operating parameters, including "typicals," must be validated for each customer application by customer's technical experts. Freescale does not convey any license under its patent rights nor the rights of others. Freescale sells products pursuant to standard terms and conditions of sale, which can be found at the following address: <http://www.reg.net/v2/webservices/Freescale/Docs/TermsandConditions.htm>

Freescale, the Freescale logo, Altivec, C-5, CodeTest, CodeWarrior, ColdFire, C-Ware, Energy Efficient Solutions logo, mobileGT, PowerQUICC, QorIQ, Qorivva, StarCore, and Symphony are trademarks of Freescale Semiconductor, Inc., Reg. U.S. Pat. & Tm. Off. Airfast, BeeKit, BeeStack, ColdFire+, CoreNet, Flexis, MagniV, MXC, Platform in a Package, Processor expert, QorIQ Qonverge, QUICC Engine, Ready Play, SMARTMOS, TurboLink, Vybrid, and Xtrinsic are trademarks of Freescale Semiconductor, Inc. All other product or service names are the property of their respective owners.

© 2013 Freescale Semiconductor, Inc.