

Quick Start Guide FRDM-KE16Z

FREEDOM DEVELOPMENT PLATFORM



GET TO KNOW THE FRDM-KE16Z

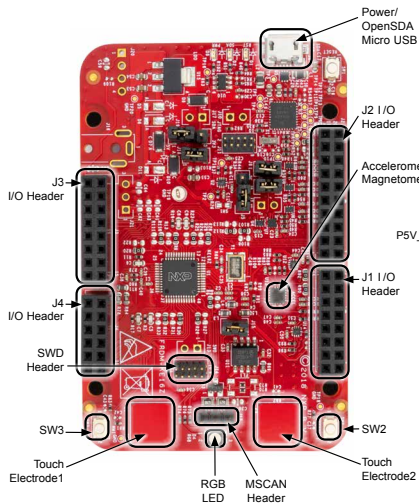


Figure 1: FRDM-KE16Z Callouts

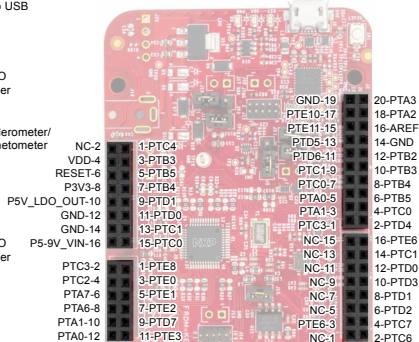
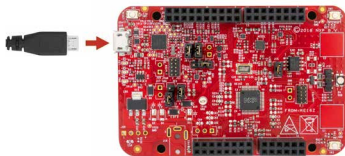


Figure 2: FRDM-KE16Z Pin-Out

STEP-BY-STEP INSTRUCTIONS

1. Connect the FRDM-KE16Z board to a PC using the included micro-USB cable to the Power/OpenSDA Micro USB connector (J6) of the FRDM-KE16Z board. A power LED will illuminate.
2. The FRDM-KE16Z comes preprogrammed with a demo which leverages the onboard accelerometer. When the board is lying flat, the RGB LED is turned off. When the board is tilted, the red or blue LEDs will gradually illuminate based on the degree of tilt.
3. Explore more out-of-box demos and download software and tools on www.nxp.com/FRDM-KE16Z.
4. Enjoy your design freedom with the FRDM-KE16Z.



SUPPORT

Visit www.nxp.com/support for a list of phone numbers within your region.

WARRANTY

Visit www.nxp.com/warranty for complete warranty information.



Get Started

Download installation software and documentation under **"Jump Start Your Design"** at www.nxp.com/FRDM-KE16Z.

www.nxp.com

NXP, the NXP logo and Kinetis are trademarks of NXP B.V. All other product or service names are the property of their respective owners. © 2018 NXP B.V.

Document Number: FRDMKE16ZQSG REV 0

Agile Number: 926-34744 REV A