

SOD70

Reel pack radial; standard product orientation 12NC ending 116

Rev. 1 — 12 October 2012

Packing information

1. Packing method

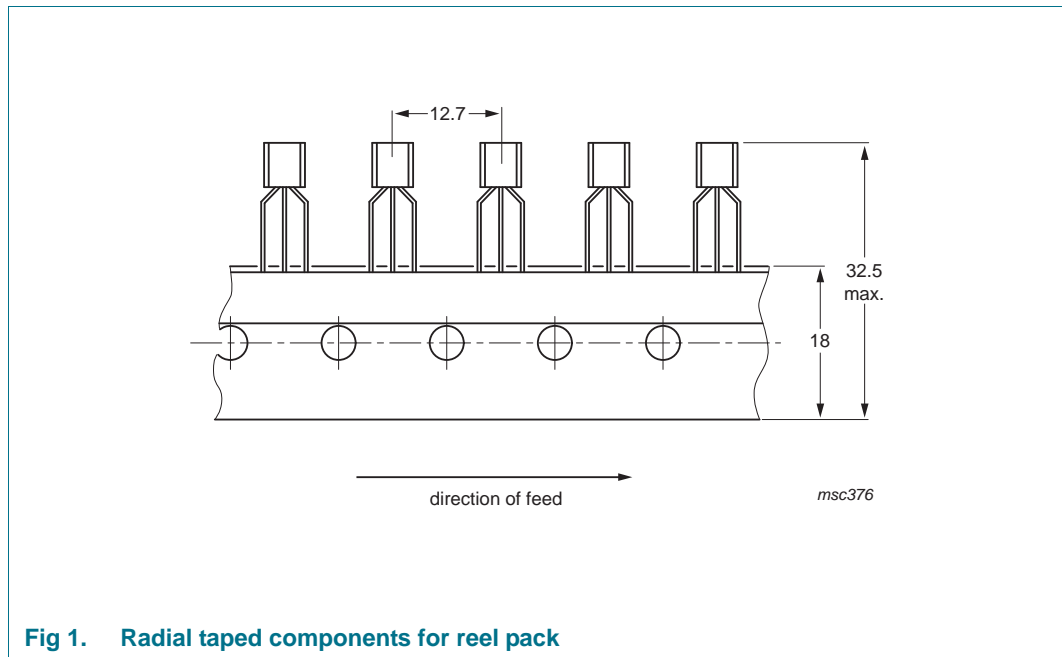


Table 1. Packing information

| Package version | 12NC ending | Taping width (mm) | Taping method | SPQ (pcs) | PQ (pcs) | Outer box dimensions l x w x h (mm) |
|-----------------|-------------|-------------------|---------------|-----------|----------|-------------------------------------|
| SOD70 | 116 | 32 | radial | 2000 | 10000 | 385 x 385 x 275 |



Limited warranty and liability

Information in this document is believed to be accurate and reliable. However, NXP Semiconductors does not give any representations or warranties, expressed or implied, as to the accuracy or completeness of such information and shall have no liability for the consequences of use of such information.

© NXP B.V. 2012.

For more information, please visit: <http://www.nxp.com>
For sales office addresses, please send an email to: salesaddresses@nxp.com

All rights reserved.

Date of release: 12 October 2012
Document identifier: SOD70_116