



QorIQ® T1024/14 and T1023/13 Dual- and Single-Core Communications Processors

T1024

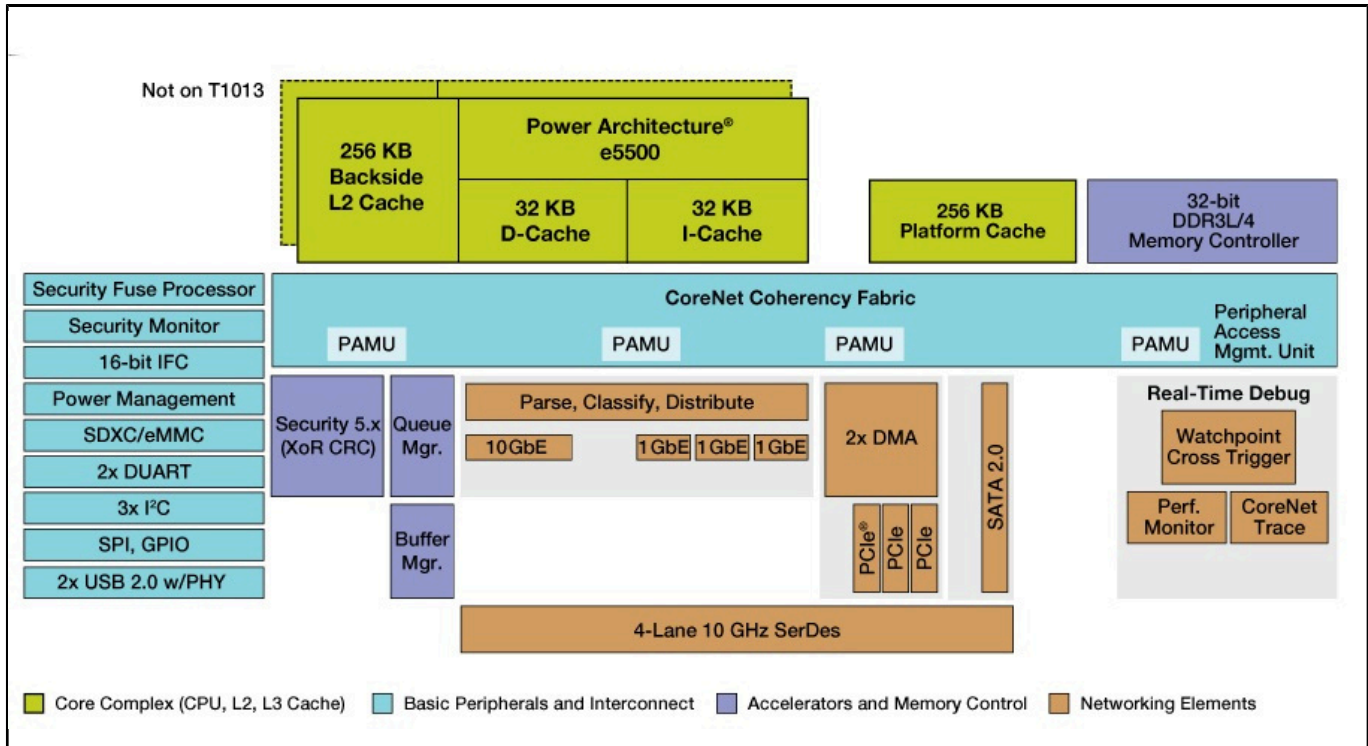
Last Updated: Apr 11, 2024

The QorIQ® dual-core T1024 and T1023 and single-core T1014 and T1013 communications processors combine 64-bit cores, built on Power Architecture® technology, with high-performance Data Path Acceleration Architecture (DPAA) and network peripheral bus interfaces required networking, telecommunications and industrial networked applications. The QorIQ T Series platform offers optimized features for the industrial market, including a display interface unit for HMI, the QUICC Engine® for industrial protocol offload and ECC support for high reliability “always on” applications.

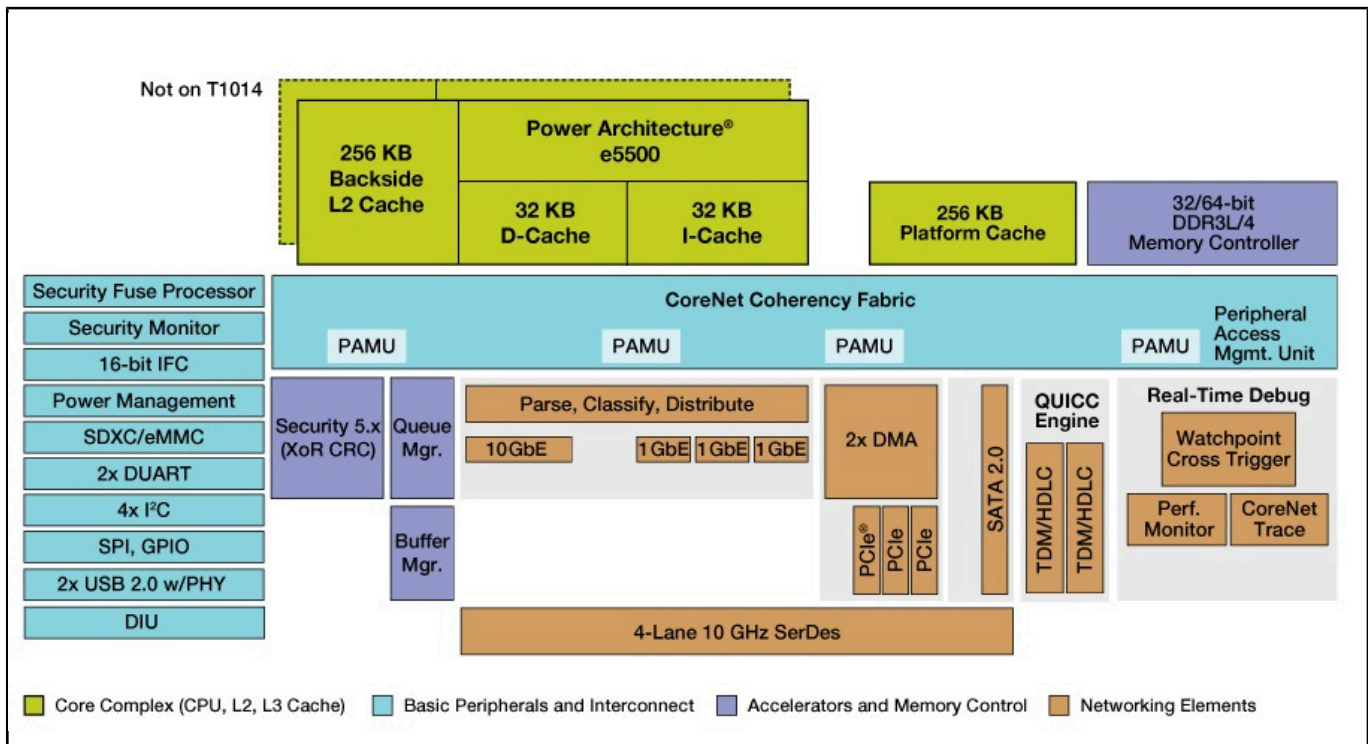
The T1024 and T1014 processors come in a full-featured 23x23 mm package, which provides scalable, pin compatibility with the quad-core T1042 processor, and even the eight core T2081 processor for price and power scaling with a single system design.

The QorIQ T1023 and T1013 communications processors are interface and power-optimized SoCs designed to deliver impressive single- or dual-core performance for cost and power sensitive networking and industrial systems. Both versions offer an excellent software compatible 64-bit and I/O upgrade path for the popular QorIQ P10XX family of 32-bit communications processors.

31538 T1023 BD Block Diagram



31538 T1024 BD Block Diagram



Note: The information on this document is subject to change without notice.

www.nxp.com

NXP and the NXP logo are trademarks of NXP B.V. All other product or service names are the property of their respective owners. The related technology may be protected by any or all of patents, copyrights, designs and trade secrets. All rights reserved. © 2024 NXP B.V.