



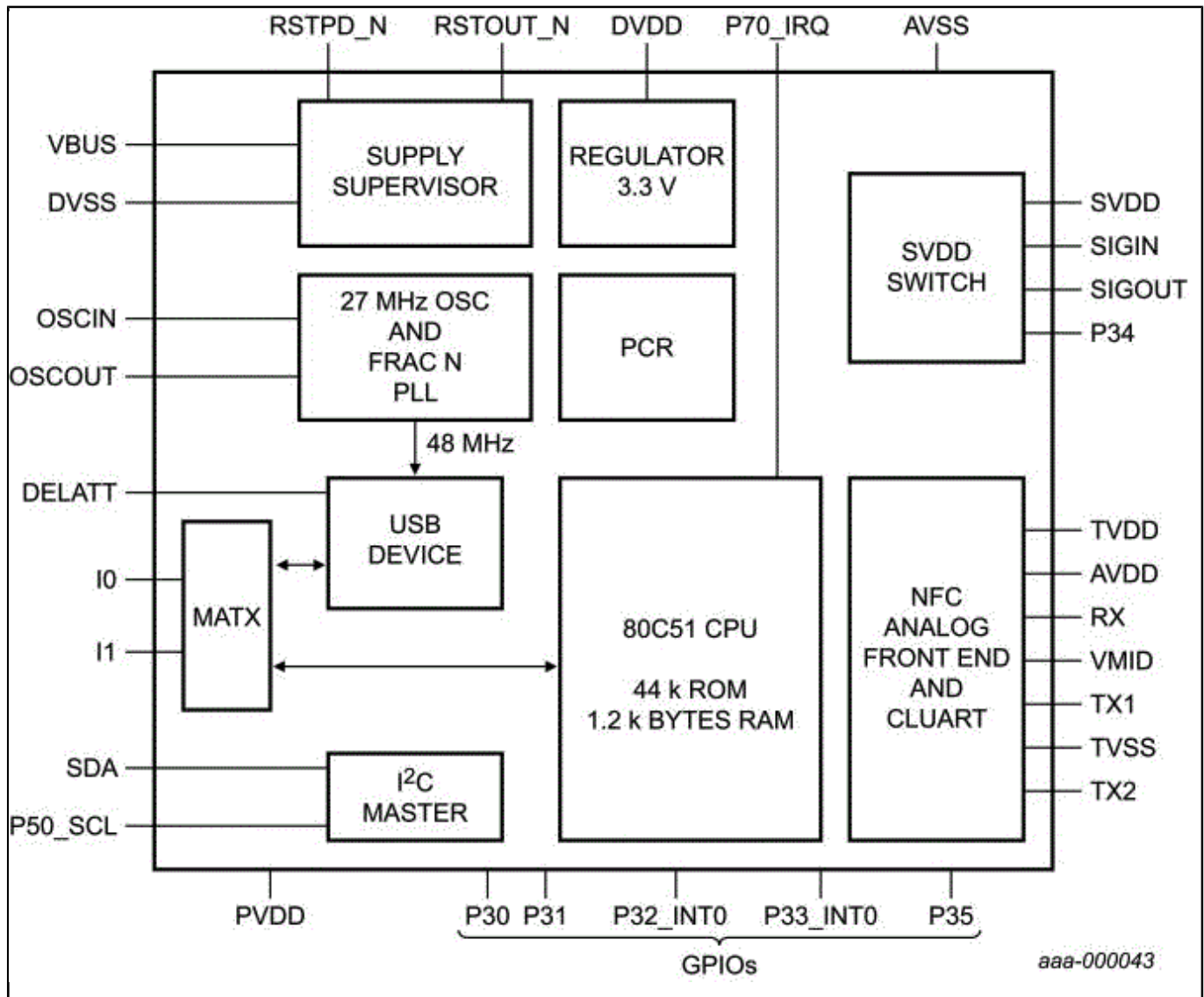
# USB NFC Integrated Reader Solution

## PR5331C3HN

Last Updated: Apr 8, 2022

PR5331C3HN is a highly integrated transceiver module with USB interface for contactless reader/writer communication at 13.56 MHz. A dedicated ROM code is implemented to handle different RF protocols by an integrated microcontroller. The system host controller communicates with the PR5331C3HN by using the USB or the HSU link.

## PR5331C3HN Block diagram Block Diagram



View additional information for [USB NFC Integrated Reader Solution](#).

Note: The information on this document is subject to change without notice.

[www.nxp.com](http://www.nxp.com)

NXP and the NXP logo are trademarks of NXP B.V. All other product or service names are the property of their respective owners. The related technology may be protected by any or all of patents, copyrights, designs and trade secrets. All rights reserved. © 2024 NXP B.V.