



# USB NFC Integrated Solution

## PN5331B3HN

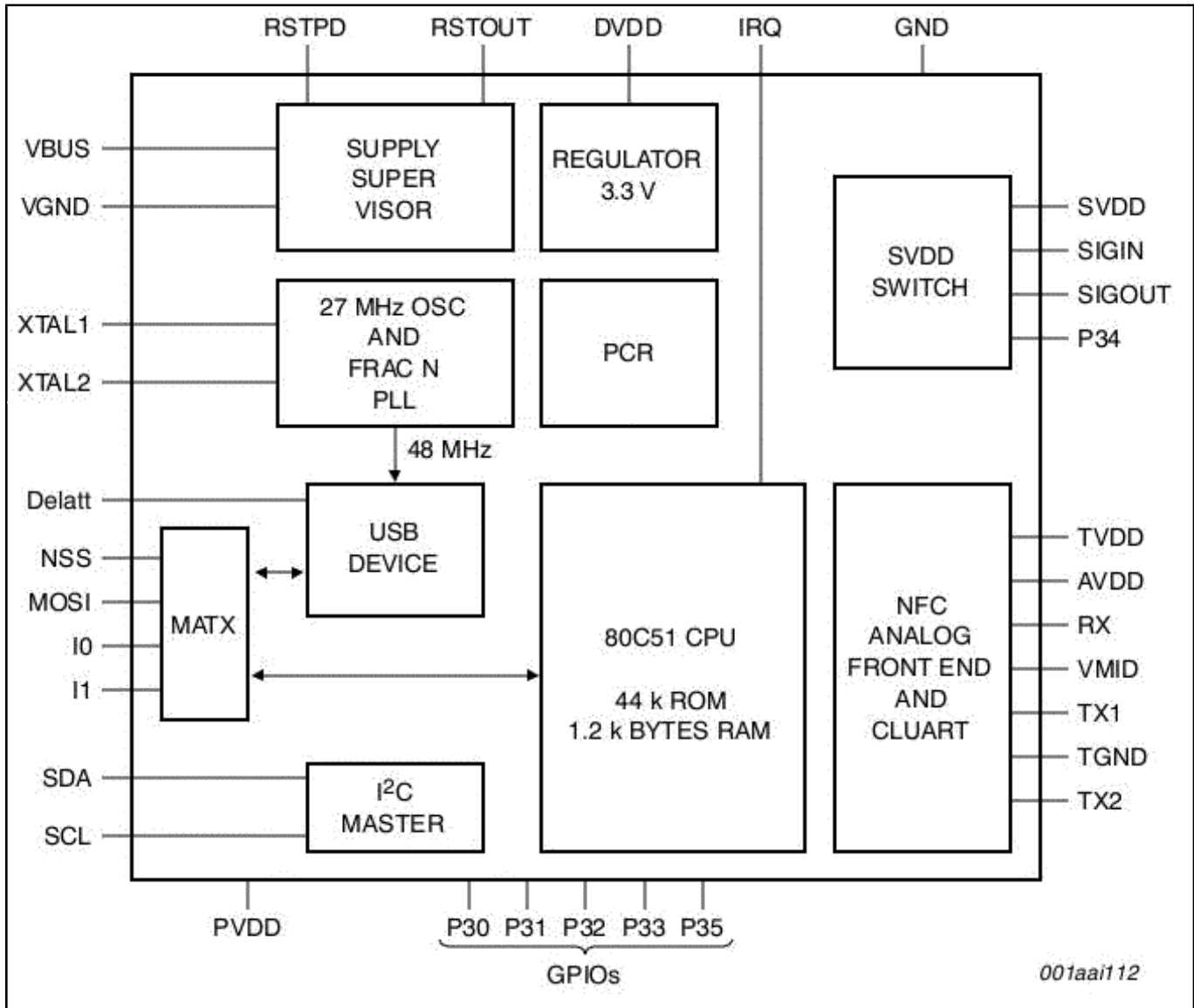
### **Not Recommended for New Designs**

This page contains information on a product that is not recommended for new designs.

Last Updated: Apr 8, 2022

PN533 is a highly integrated transceiver module with USB interface for contactless communication at 13.56 MHz based on the 80C51 microcontroller core supporting different card and reader/writer operating modes. This part is not recommended for new designs. For new designs requiring an USB interface we recommend [PN7462](#).

## PN533 Block diagram Block Diagram



View additional information for [USB NFC Integrated Solution](#).

Note: The information on this document is subject to change without notice.

[www.nxp.com](http://www.nxp.com)

NXP and the NXP logo are trademarks of NXP B.V. All other product or service names are the property of their respective owners. The related technology may be protected by any or all of patents, copyrights, designs and trade secrets. All rights reserved. © 2024 NXP B.V.