



# Quad 6-Bit Multiplexed I<sup>2</sup>C-Bus EEPROM DIP Switch

## PCA9561

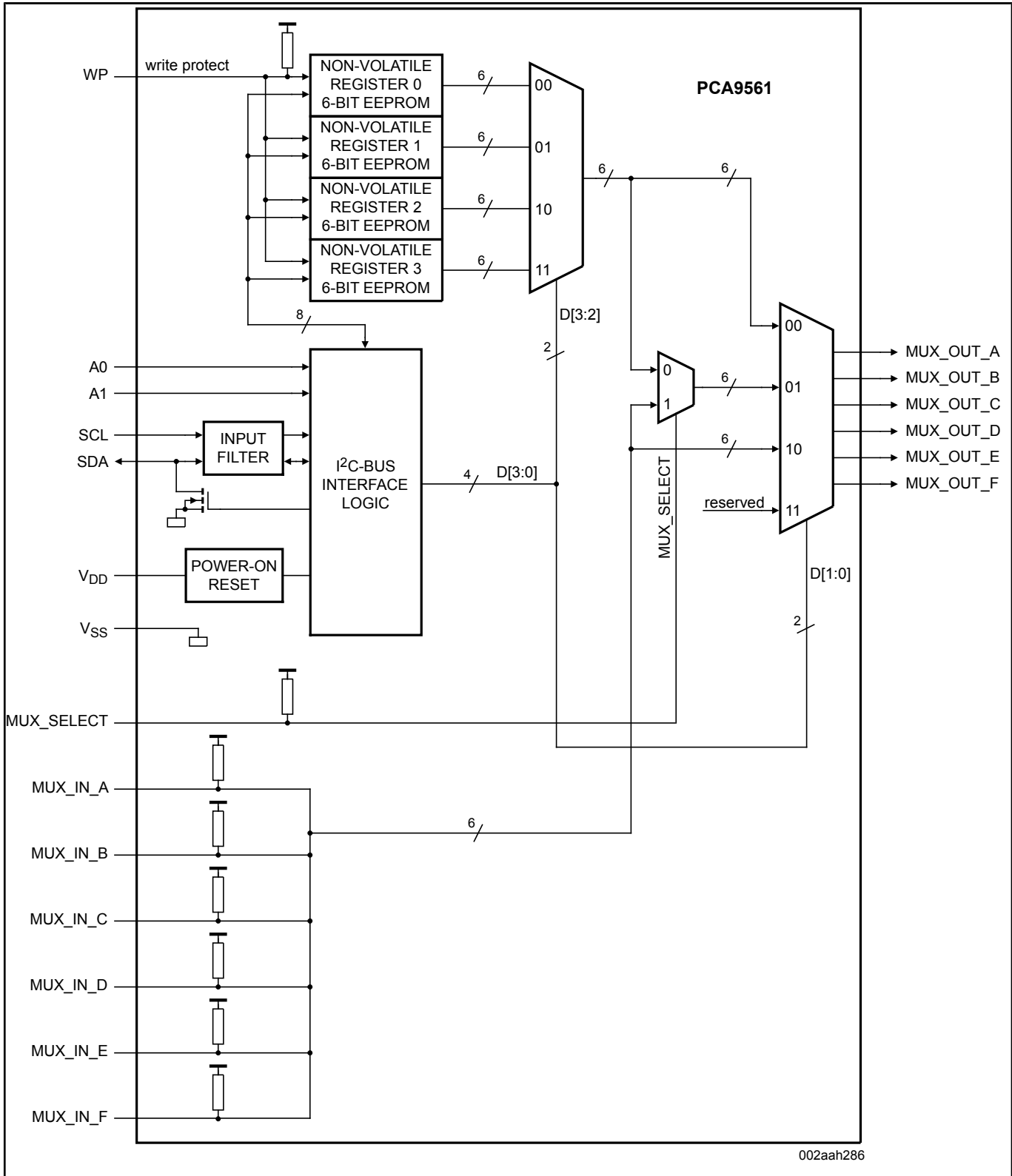
Last Updated: Feb 20, 2024

The PCA9561 is a 20-pin CMOS device consisting of four 6-bit non-volatile EEPROM registers, six hardware pin inputs and a 6-bit multiplexed output. It is used for DIP switch-free or jumperless system configuration and supports Mobile and Desktop VID Configuration, where five preset values (four sets of internal non-volatile registers and one set of external hardware pins) set processor voltage for operation in various performance or battery conservation sleep modes. The PCA9561 is also useful in server and telecommunications/networking applications when used to replace DIP switches or jumpers, since the settings can be easily changed via I<sup>2</sup>C-bus/SMBus without having to power down the equipment to open the cabinet. The non-volatile memory retains the most current setting selected before the power is turned off.

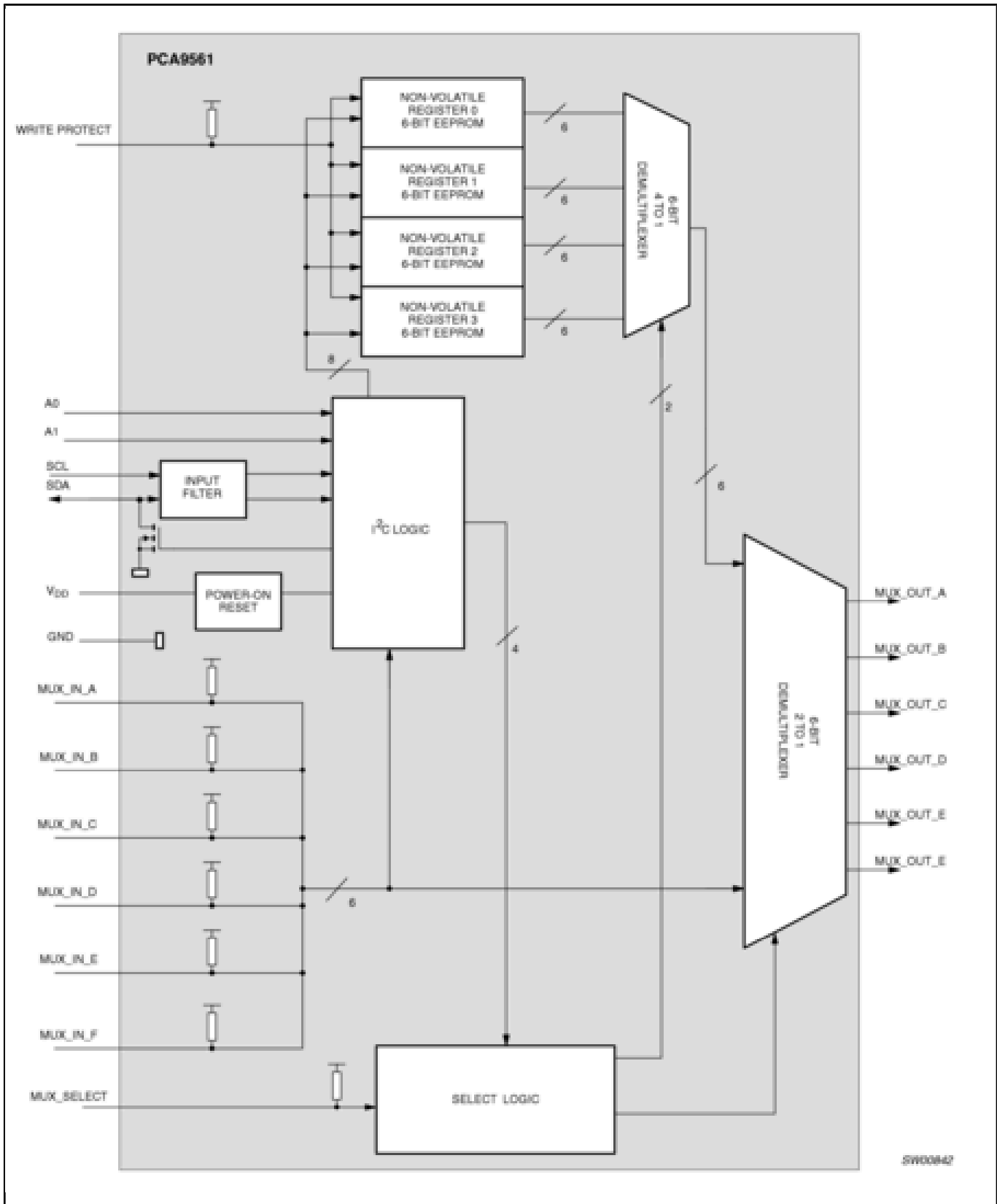
The PCA9561 typically resides between the CPU and Voltage Regulator Module (VRM) when used for CPU VID (Voltage IDentification code) configuration. It is used to bypass the CPU-defined VID values and provide a different set of VID values to the VRM, if an increase in the CPU voltage is desired. An increase in CPU voltage combined with an increase in CPU frequency leads to a performance boost of up to 7.5 %. Lower CPU voltage reduces power consumption. The main advantage of the PCA9561 over older devices, such as the PCA9559 or PCA9560, is that it contains four internal non-volatile EEPROM registers instead of just one or two, allowing five independent settings which allows a more accurate CPU voltage tuning depending on specific applications.

The PCA9561 has two address pins, allowing up to four devices to be placed on the same I<sup>2</sup>C-bus or SMBus.

### PCA9561 Block Diagram



PCA9561D, PCA9561PW Block Diagram



View additional information for [Quad 6-Bit Multiplexed I²C-Bus EEPROM DIP Switch](#).

Note: The information on this document is subject to change without notice.

**[www.nxp.com](http://www.nxp.com)**

NXP and the NXP logo are trademarks of NXP B.V. All other product or service names are the property of their respective owners. The related technology may be protected by any or all of patents, copyrights, designs and trade secrets. All rights reserved. © 2024 NXP B.V.