



SD, SDIO, Mini SD, Micro SD and SIM Card Voltage Level Translator with EMI Filter and ESD Protection

NVT4858

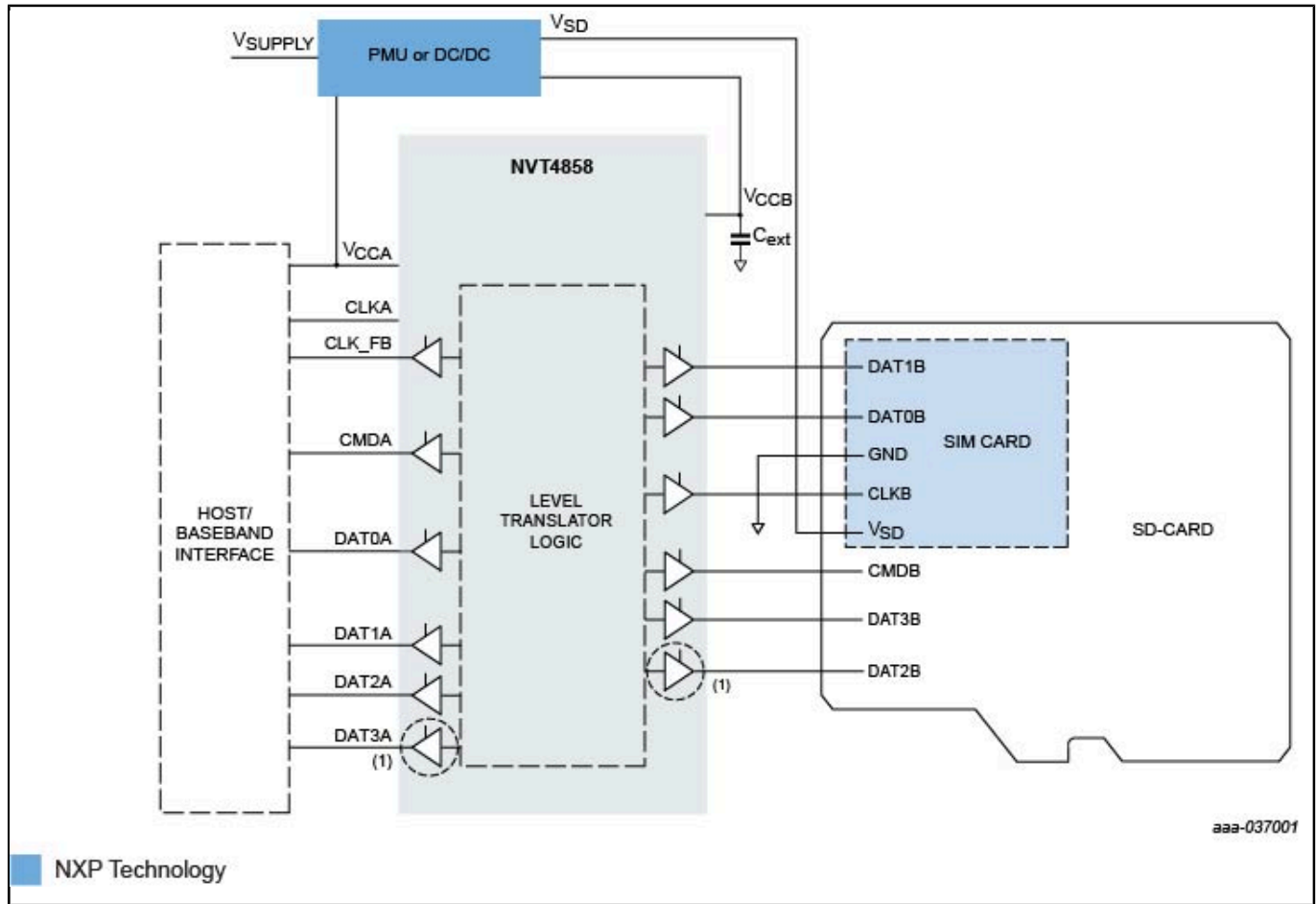
Last Updated: Mar 22, 2024

The NVT4858 device is an SD 3.0-compliant bidirectional dual voltage level translator with auto direction control. It is designed to interface between a memory or SIM card operating between 1.65 V to 3.6 V signal levels and a host with a supply voltage of 1.08 V to 1.95 V.

The device supports SD 3.0 SDR104, SDR50, DDR50, SDR25, SDR12 and SD 2.0 High-Speed (50 MHz) and Default-Speed (25 MHz) modes. The device has an auto-enable/disable function connected to the VCCB supply pin, built-in EMI filters and robust ESD protections (IEC 61000-4-2, level 4).

This device also supports SIM card voltage level translator using CLK and two of the data lines for SD and SIM card combo sockets.

NVT4858 Block Diagram Block Diagram



View additional information for [SD](#), [SDIO](#), [Mini SD](#), [Micro SD](#) and [SIM Card Voltage Level Translator with EMI Filter and ESD Protection](#).

Note: The information on this document is subject to change without notice.

www.nxp.com

NXP and the NXP logo are trademarks of NXP B.V. All other product or service names are the property of their respective owners. The related technology may be protected by any or all of patents, copyrights, designs and trade secrets. All rights reserved. © 2024 NXP B.V.