



PowerQUICC® Processor with CPM (2 SCC, 2 SMC), 10T Ethernet

MPC850

Not Recommended for New Designs

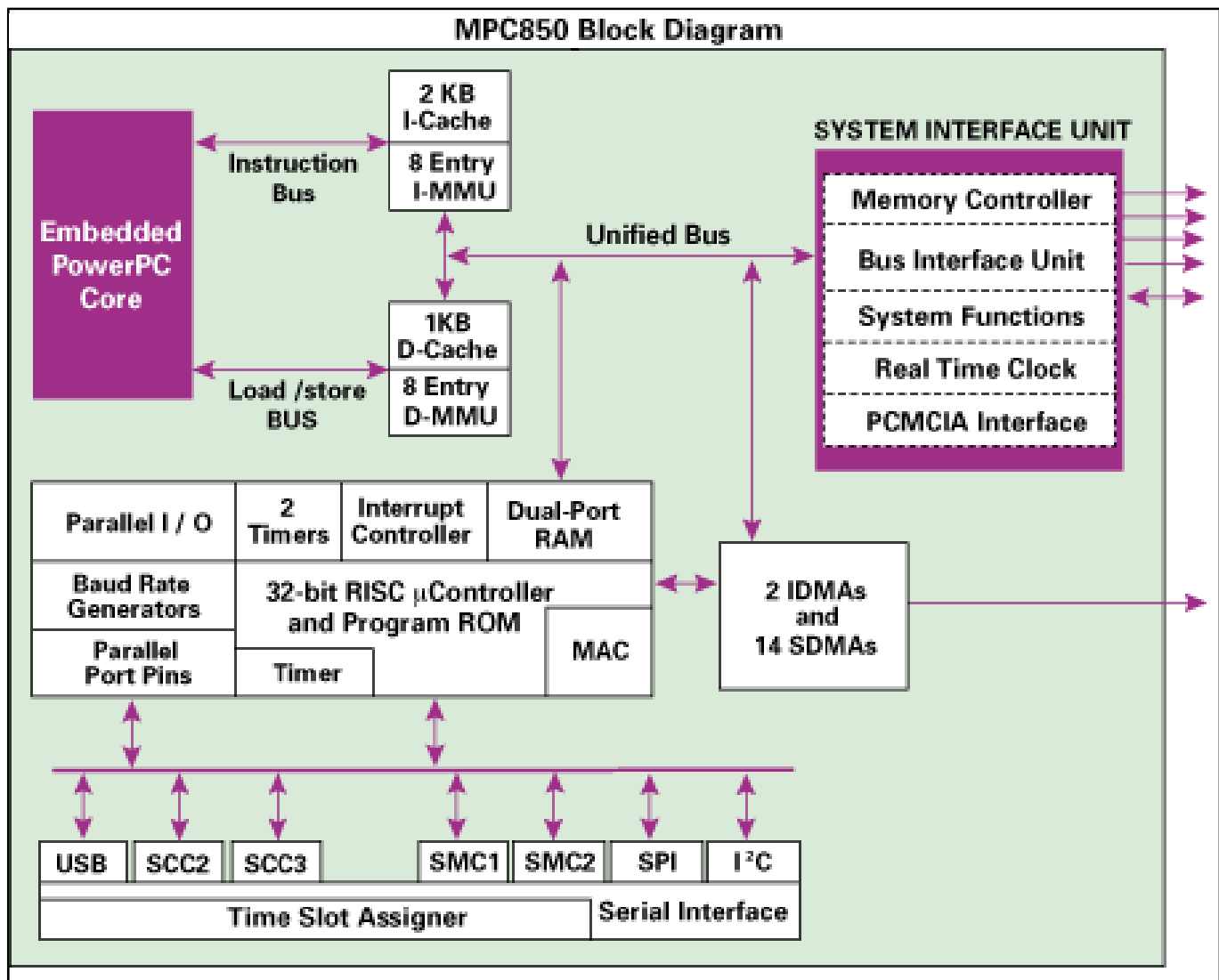
This page contains information on a product that is not recommended for new designs.

Last Updated: Apr 8, 2022

The MPC850 PowerQUICC® processor offers a versatile, integrated, low-cost solution for variety of controller, networking, and communications applications.

- Includes extensive communications and system integration support
- Simplifies development and accelerates time-to-market
- Offloads core tasks for increased performance and efficiency
- Backed by strong third-party tool support through Our Design Alliance Program

MPC850_BLKDIAG Block Diagram



View additional information for [PowerQUICC® Processor with CPM \(2 SCC, 2 SMC\), 10T Ethernet.](#)

Note: The information on this document is subject to change without notice.

www.nxp.com

NXP and the NXP logo are trademarks of NXP B.V. All other product or service names are the property of their respective owners. The related technology may be protected by any or all of patents, copyrights, designs and trade secrets. All rights reserved. © 2024 NXP B.V.