



# H-Bridge, Brushed DC Motor Driver, 2-6.8 V, 3.0 A, 200 kHz

## MPC17511

### Archived

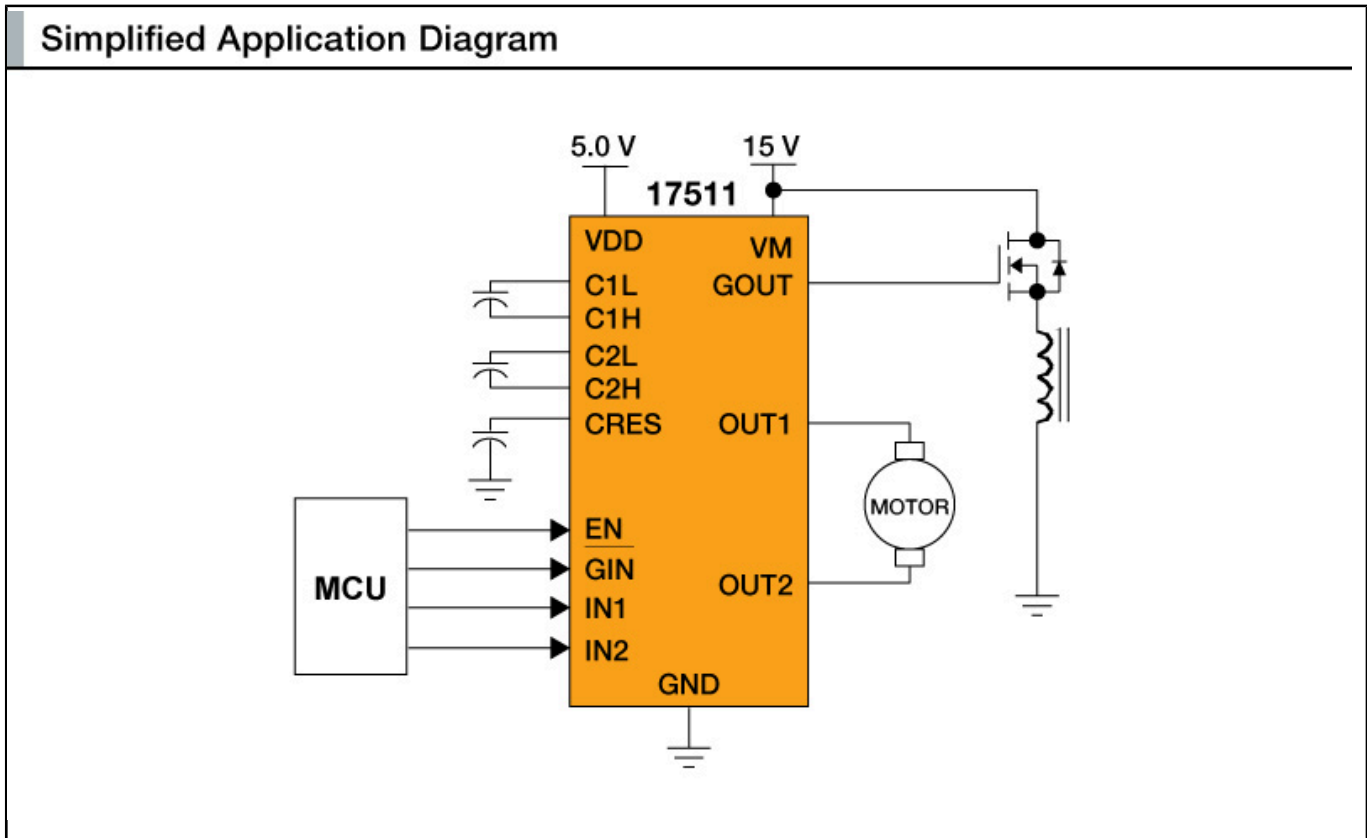
This page contains information on a product that is no longer manufactured (discontinued). Specifications and information herein are available for historical reference only.

Last Updated: Jul 26, 2023

The NXP® MPC17511 is a monolithic H-Bridge IC that is ideal for portable electronic applications to control various micro DC-motors such as single lens cameras and optical disc drives.

- Drives various types of micro motors with low loss via parallel drive; each section has efficient drivers designed for PWM control frequency up to 200 kHz for high speed drive and independent input/output circuitry
- Contains an integrated charge pump and level shifter for gate drive voltages, with an integrated shoot through current protection circuit and undervoltage circuit detector to avoid malfunction
- 4 output control modes: Forward, Reverse, Brake, Tri-state (Open)

## H-Bridge, Brushed DC Motor Driver, 2-6.8V, 3.0A, 200kHz Block Diagram



View additional information for [H-Bridge, Brushed DC Motor Driver, 2-6.8 V, 3.0 A, 200 kHz](#).

Note: The information on this document is subject to change without notice.

[www.nxp.com](http://www.nxp.com)

NXP and the NXP logo are trademarks of NXP B.V. All other product or service names are the property of their respective owners. The related technology may be protected by any or all of patents, copyrights, designs and trade secrets. All rights reserved. © 2024 NXP B.V.