



SPI ± 3.5 g or ± 5.0 g XY-Axis, Low-g, Digital Inertial Sensor

MMA69xxKQ

Not Recommended for New Designs

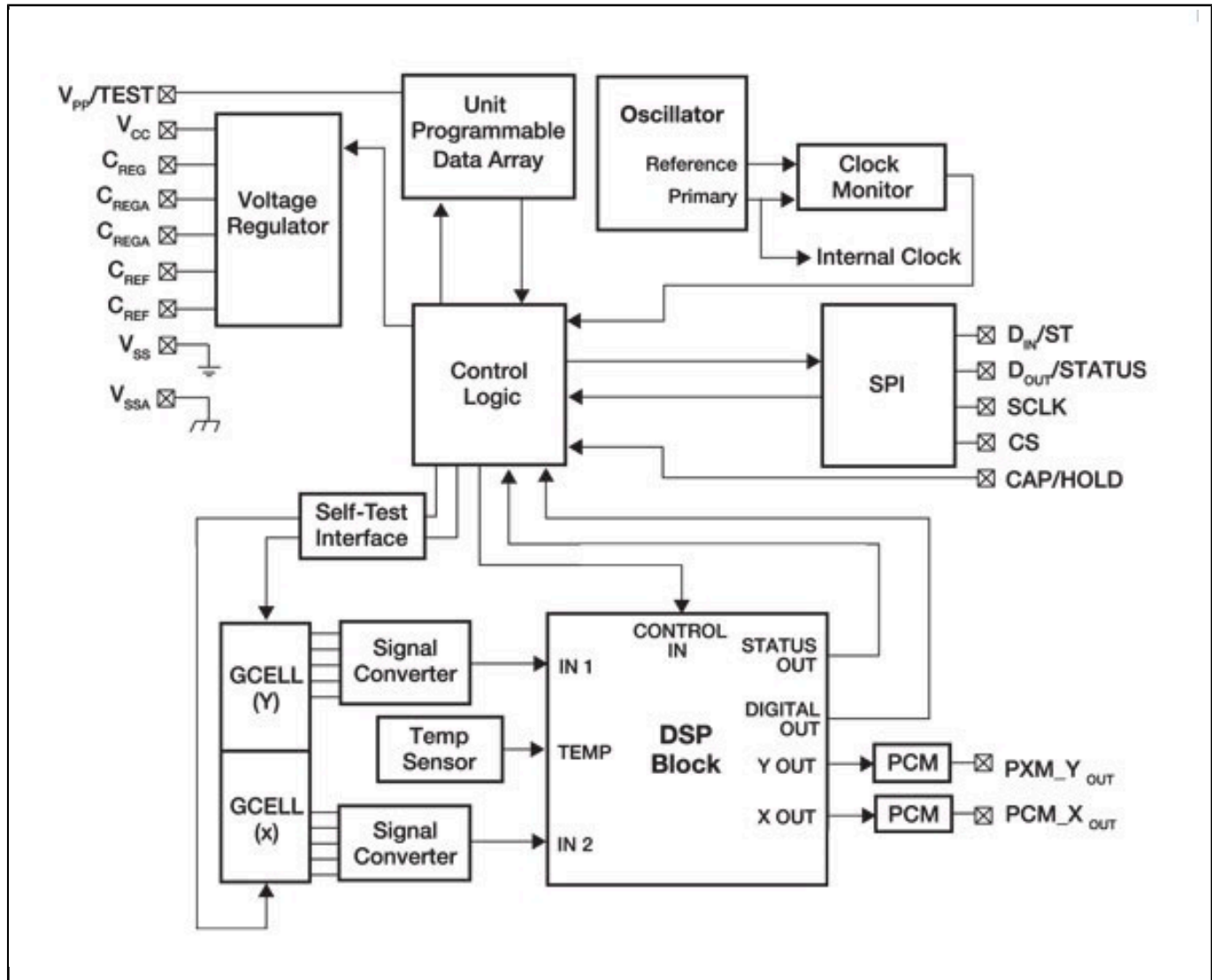
This page contains information on a product that is not recommended for new designs.

Last Updated: Sep 26, 2023

The MMA6900KQ (± 3.5 g full-scale per axis), MMA6901KQ (± 5 g full-scale per axis), and MMA6910KQ (± 3.5 g full-scale per axis) sensors for automotive applications offer dual-axis, low-g solutions based on Our HARMEMS technology.

- Accommodates higher original signal noise levels without sacrificing resolution in Electronic Stability Control (ESC) designs
- Allows for additional processing of digital or analog signals
- Provides [SafeAssure](#) functional safety
- Supports serial peripheral interface (SPI)
- Reduces system costs and enhances passenger safety through central module integration

Freescale MMA69xxKQ Acceleration Sensor Block Diagram Block Diagram



View additional information for [SPI ±3.5 g or ±5.0 g XY-Axis, Low-g, Digital Inertial Sensor](#).

Note: The information on this document is subject to change without notice.

www.nxp.com

NXP and the NXP logo are trademarks of NXP B.V. All other product or service names are the property of their respective owners. The related technology may be protected by any or all of patents, copyrights, designs and trade secrets. All rights reserved. © 2024 NXP B.V.