



Configurable Octal Serial Switch

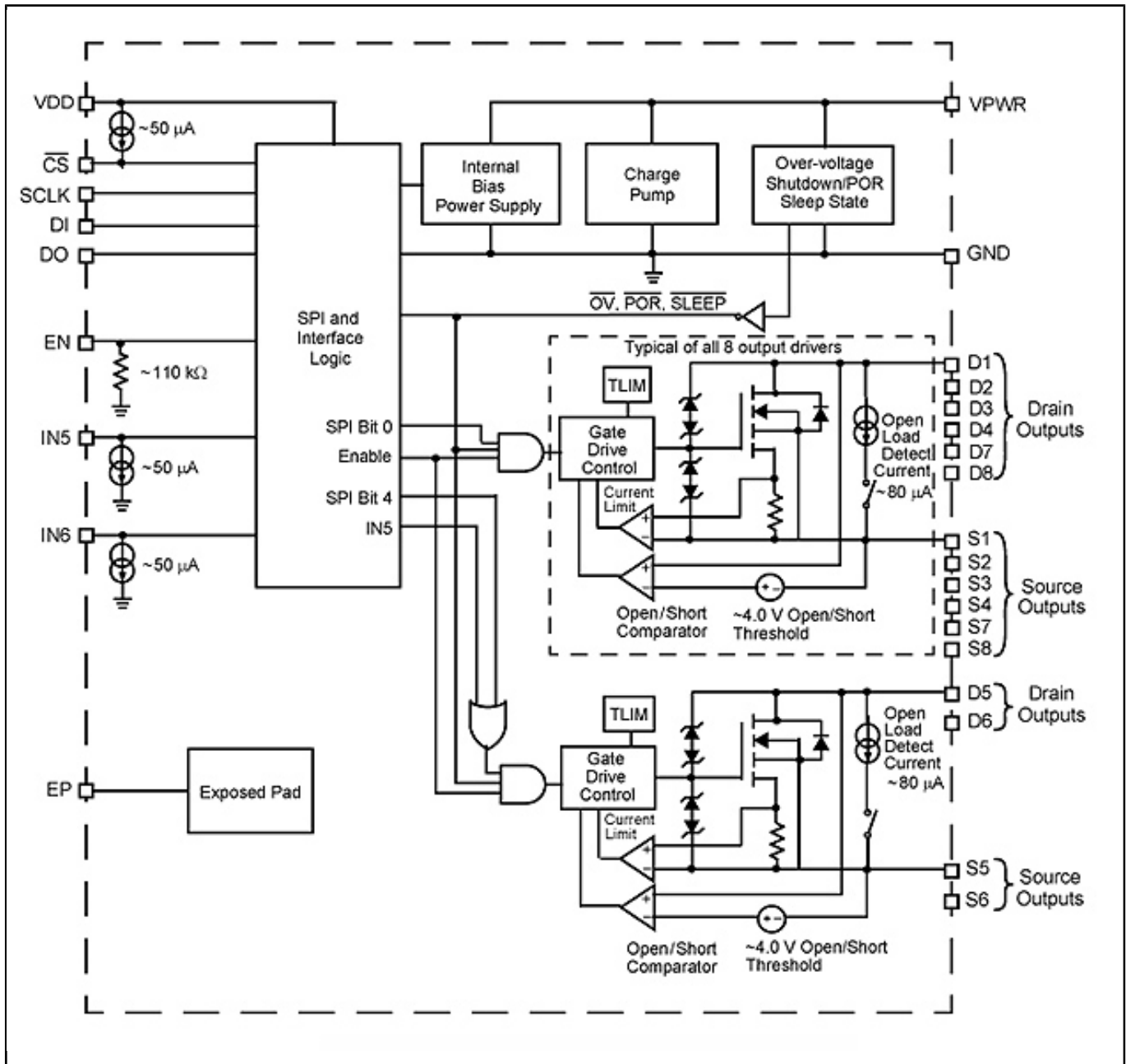
MC33879

Last Updated: Mar 29, 2024

The NXP® MC33879 device is an 8-output hardware configurable, high side/low side switch with 16-bit serial input control using the serial peripheral interface (SPI).

- Two of the outputs may be controlled directly via a MCU for pulse-width modulation applications
- Incorporates SMARTMOS® technology with CMOS logic, bipolar/MOS analog circuitry, and DMOS power MOSFETs
- Controls various inductive, incandescent, or LED loads by directly interfacing with a MCU
- We recommend the use of the "B" version devices for new designs

MC33879_BD Block Diagram



View additional information for [Configurable Octal Serial Switch](#).

Note: The information on this document is subject to change without notice.

www.nxp.com

NXP and the NXP logo are trademarks of NXP B.V. All other product or service names are the property of their respective owners. The related technology may be protected by any or all of patents, copyrights, designs and trade secrets. All rights reserved. © 2024 NXP B.V.