



# 12 V Automotive Exterior Lighting Multi eXtreme Switch

## MC12XS3

### Not Recommended for New Designs

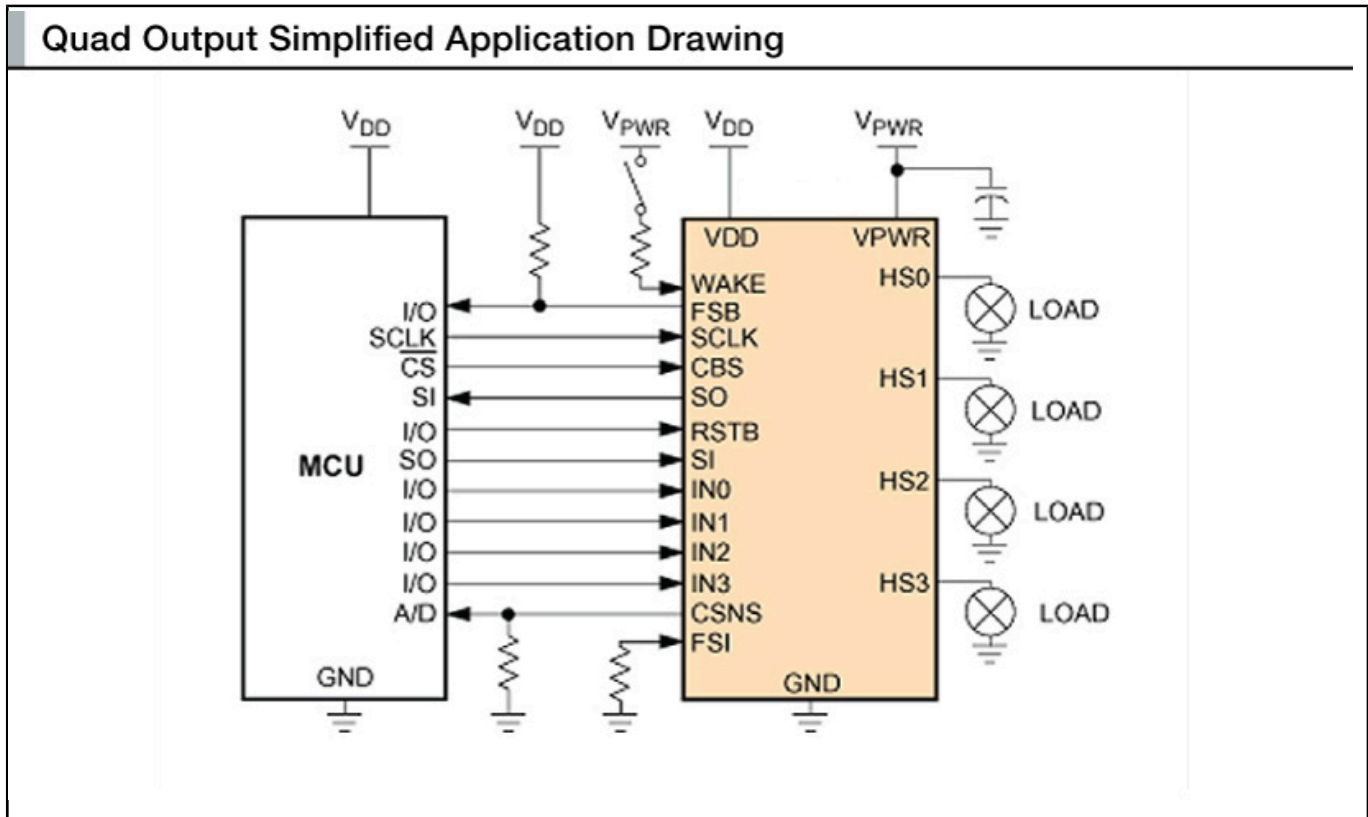
This page contains information on a product that is not recommended for new designs.

Last Updated: Nov 28, 2023

The NXP® 12XS3 eXtreme Switch Generation 3 12 V devices are SPI-controlled smart high side switches providing diagnostics for the switch, light source and wiring harness, as well as comprehensive fault management and control of the loads without complex software.

- Programmable multi-step latched overcurrent shutdown protection
- Minimizes the thermal stress within the device during an overload condition, reducing the junction temperature rise and improving reliability
- Packaged in a PQFN package and a SOICW-EP package
- Low RDS(ON) and large integration enable savings in module size, power dissipation and total system cost

## Quad Output Simplified Application Drawing Block Diagram



View additional information for [12 V Automotive Exterior Lighting Multi eXtreme Switch](#).

Note: The information on this document is subject to change without notice.

[www.nxp.com](http://www.nxp.com)

NXP and the NXP logo are trademarks of NXP B.V. All other product or service names are the property of their respective owners. The related technology may be protected by any or all of patents, copyrights, designs and trade secrets. All rights reserved. © 2024 NXP B.V.