



# Enterprise Access Point

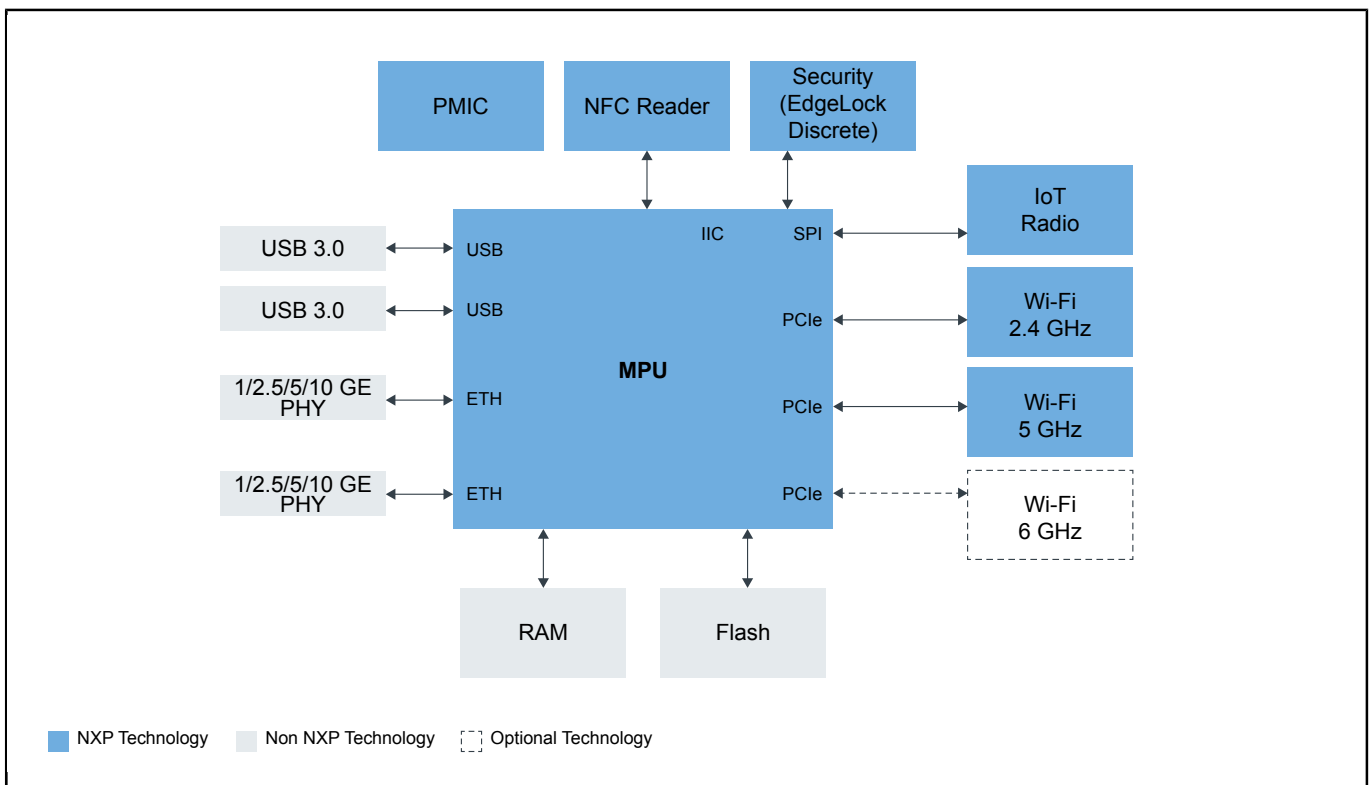
Last Updated: Jan 10, 2022

Carrier/Enterprise WLAN Access Points are used to deliver Wi-Fi services in enterprise and commercial environments. They also communicate with a central router or cloud controller, which manages the overall Wi-Fi system for the site.

NXP can offer a complete system solution, including the following key elements:

- Scalable Layerscape network processors
- Leading Wi-Fi access chipsets
- IoT connectivity solutions
- Production-grade OpenWRT-based software platforms

## WLAN Block Diagram



Recommended Products for WLAN	
MPU	<ul style="list-style-type: none"> <li>• <a href="#">LS1043A</a>: Layerscape® 1043A and 1023A Processors</li> <li>• <a href="#">LS1046A</a>: Layerscape® 1046A and 1026A Processors</li> <li>• <a href="#">LS1021A</a>: Layerscape® 1021A Dual-Core Processor with LCD Controller</li> </ul>
Wi-Fi 2.4GHz	<ul style="list-style-type: none"> <li>• <a href="#">88W9098</a>: 2.4/5 GHz Dual-Band 2x2 Wi-Fi® 6 (802.11ax) + Bluetooth® 5.3</li> <li>• <a href="#">88W8997</a>: 2.4/5 GHz Dual-Band 2x2 Wi-Fi® 5 (802.11ac) + Bluetooth® 5.3 Solution</li> </ul>
Wi-Fi 5GHz	<ul style="list-style-type: none"> <li>• <a href="#">88W8997</a>: 2.4/5 GHz Dual-Band 2x2 Wi-Fi® 5 (802.11ac) + Bluetooth® 5.3 Solution</li> <li>• <a href="#">88W9064</a>: 2.4/5 GHz Dual-Band 4x4 Wi-Fi® 6 (802.11ax) Access Solution</li> </ul>
IOT Radio	<ul style="list-style-type: none"> <li>• <a href="#">K32W061_41</a>: K32W061/41: High-Performance, Secure and Ultra-Low-Power MCU for Zigbee®, Thread™, and Bluetooth® LE 5.0 with Built-In NFC Option</li> <li>• <a href="#">JN5189_88_T</a>: JN5189/88 (T): High-Performance and Ultra-Low-Power MCUs for Zigbee® and Thread with Built-In NFC Option</li> </ul>
PMIC	<ul style="list-style-type: none"> <li>• <a href="#">PF81-PF82</a>: 12-Channel Power Management Integrated Circuit (PMIC) for High-Performance Processing Applications</li> <li>• <a href="#">MC34VR500</a>: Multi-Output DC/DC Regulator</li> </ul>
NFC Reader	<ul style="list-style-type: none"> <li>• <a href="#">PN7160</a>: NFC Plug and Play Controller with Integrated Firmware and NCI Interface</li> </ul>
Security (EdgeLock Discrete)	<ul style="list-style-type: none"> <li>• <a href="#">SE050</a>: EdgeLock® SE050: Plug and Trust Secure Element Family – Enhanced IoT security with high flexibility</li> <li>• <a href="#">SE051</a>: EdgeLock® SE051: Proven, Easy-to-Use IoT Security Solution with Support for Updatibility and Custom Applets</li> <li>• <a href="#">EDGELOCK-A5000</a>: EdgeLock® A5000 Plug and Trust Secure Authenticator: Authentication Made Secure, Scalable and Easy</li> </ul>

View our complete solution for [Enterprise Access Point](#).

**Note:** The information on this document is subject to change without notice.

[www.nxp.com](http://www.nxp.com)

NXP and the NXP logo are trademarks of NXP B.V. All other product or service names are the property of their respective owners. The related technology may be protected by any or all of patents, copyrights, designs and trade secrets. All rights reserved. © 2024 NXP B.V.