



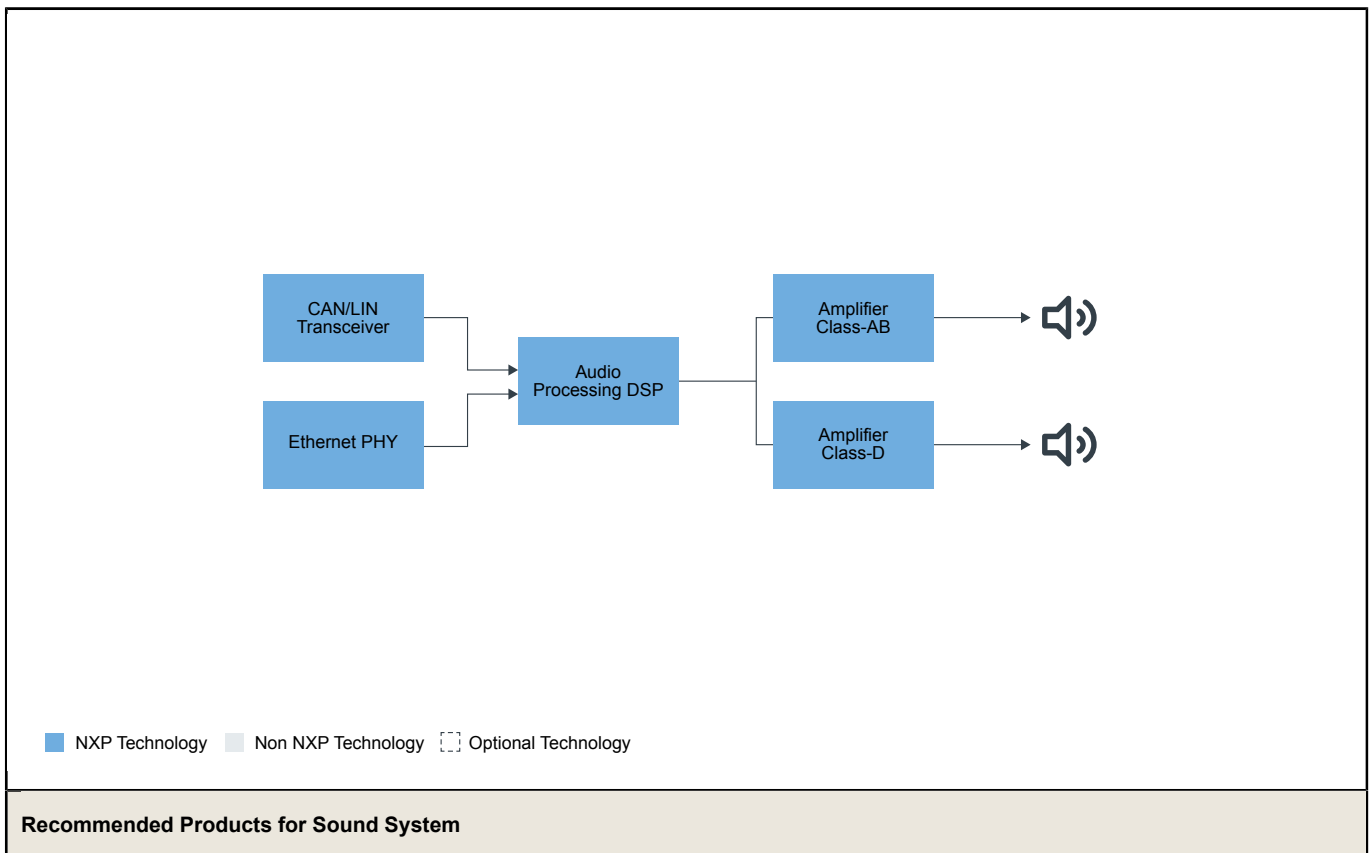
Automotive Audio Solutions

Last Updated: Oct 19, 2023

Sound can impact the comfort of any journey. Traffic noise, the volume of the music or even the roar of the air conditioning can be irritating at best and extremely disruptive at worse. Advanced sounds systems will neutralize unwanted outside sounds and adapt music to your requirements; making the environment in your car as vibrant or as peaceful as you desire.

Together with broad portfolios of devices for receiving and processing audio, radio and noise, NXP also provides Class-AB and Class-D amplifiers for automotive sound systems. These provide an increasing number of channels, high output power and high supply voltage, allowing maximum flexibility for customer designs.

Sound System Block Diagram



CAN/LIN Transceiver	<ul style="list-style-type: none"> • TJA144x: Automotive CAN FD Transceiver Family • TJA1043: High-Speed CAN Transceiver with Standby and Sleep Mode • Automotive LIN Solutions: Automotive LIN Solutions • TJA1463: CAN Signal Improvement Capability Transceiver with Sleep Mode
Audio processing DSP	<ul style="list-style-type: none"> • SAF4000: Multi-Standard Software Defined Radio Processor With Integrated Audio
Amplifier Class-AB	<ul style="list-style-type: none"> • TDF8541: I²C-Bus Controlled 4 x 45 W Power Amplifier
Amplifier Class-D	<ul style="list-style-type: none"> • TDF8530TH: I²C-Bus Controlled Quad Channel 45 W / 2 Ω Class-D Power Amplifier with Full Diagnostics
Ethernet PHY	<ul style="list-style-type: none"> • TJA1104: TJA1104, MACsec Enabled ASIL B Compliant Automotive Ethernet 100BASE-T1 PHY Transceiver • TJA1103: TJA1103, ASIL B Compliant Automotive Ethernet 100BASE-T1 PHY Transceiver • TJA1101: TJA1101B, IEEE 100BASE-T1 Compliant Automotive Ethernet PHY Transceiver

View our complete solution for [Automotive Audio Solutions](#).

Note: The information on this document is subject to change without notice.

www.nxp.com

NXP and the NXP logo are trademarks of NXP B.V. All other product or service names are the property of their respective owners. The related technology may be protected by any or all of patents, copyrights, designs and trade secrets. All rights reserved. © 2024 NXP B.V.