



2.4/5 GHz Dual-Band 2x2 Wi-Fi® 6 (802.11ax) + Bluetooth® 5.3

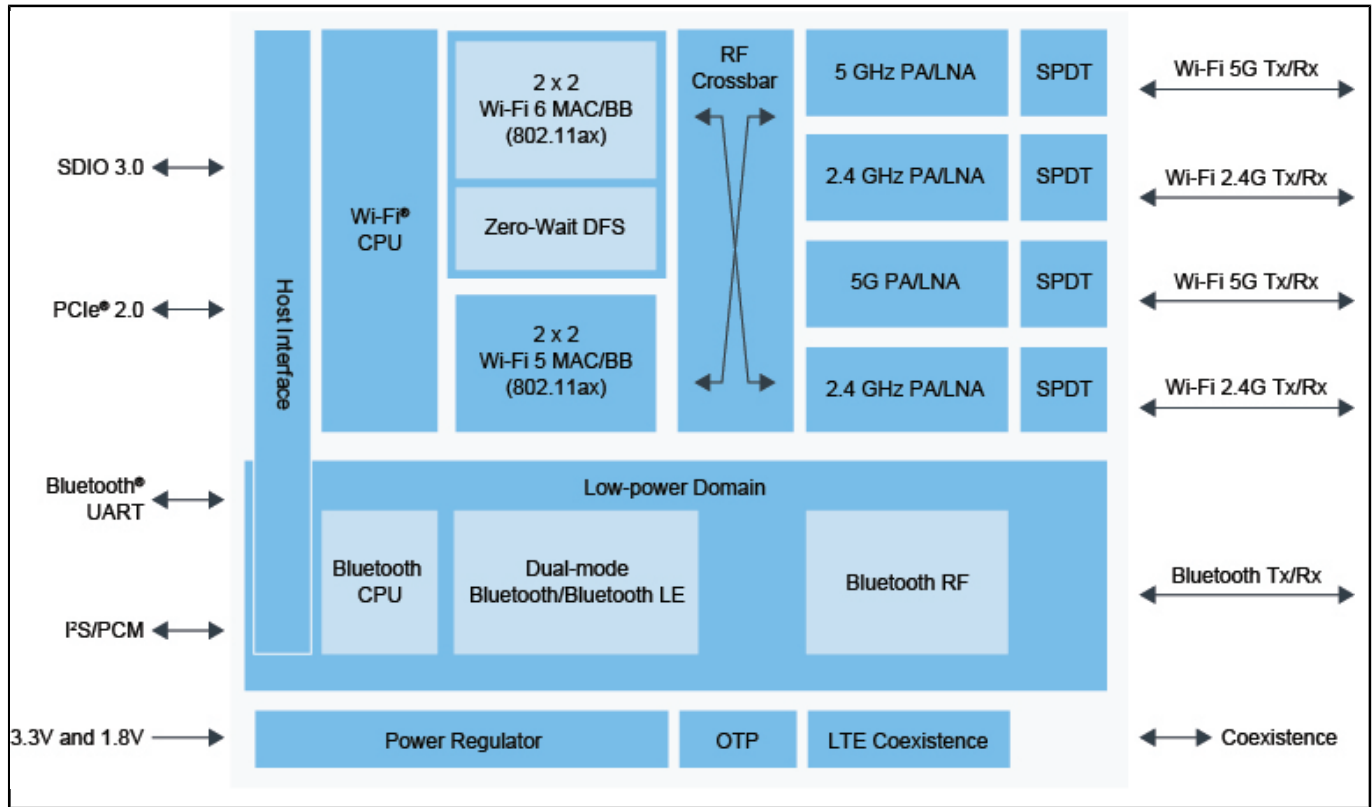
88W9098

Last Updated: May 9, 2024

The 88W9098 wireless SoC is the industry's first Wi-Fi 6 solution based on the latest IEEE 802.11ax standard with an innovative concurrent dual Wi-Fi and dual-mode Bluetooth 5.3 architecture. The 88W9098 combo solution enables gigabit-level performance, superior reliability and enhanced security to enable high performance, flexible solutions for the IoT, Access and Industrial markets.

Wireless modules based on the NXP 88W9098 are offered by leading [module manufacturers](#).

88W9098 SoC Internal Block Diagram Block Diagram



View additional information for [2.4/5 GHz Dual-Band 2x2 Wi-Fi® 6 \(802.11ax\) + Bluetooth® 5.3](#).

Note: The information on this document is subject to change without notice.

www.nxp.com

NXP and the NXP logo are trademarks of NXP B.V. All other product or service names are the property of their respective owners. The related technology may be protected by any or all of patents, copyrights, designs and trade secrets. All rights reserved. © 2024 NXP B.V.